

DATASHEET

The Elite device is, like the DMX Output, designed to equip the standard computers with a DMX port to drive the lighting equipment.

Utilising the USB connection of the computer it is even possible to expand the capacity of VisualDMX by connecting multiple Elites to your computer.

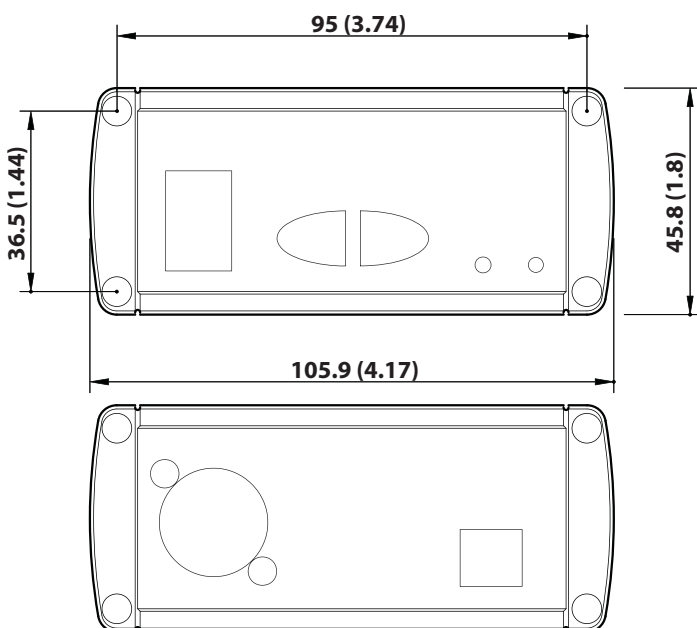
In addition, the development of the Elite hardware interface enables users to store up to 8 dynamic sequences or lightshows. All features of the VisualDMX software can be used in programming including all the fantastic features of Matrix Mania! The stored sequences or lightshows are then recalled by manual selection of the push buttons. The box will continue in the same sequence where it was playing at the point that power was removed.


Specifications

- 8 memories
- 512 DMX channels
- 5-pin XLR DMX connector
- Typically 1600V rms (1 minute) data isolation
- Dimensions 110 x 106 x 46 mm (4.33 x 4.17 x 1.80 inches)
- Weights 300 gram (0.7 lbs)

Minimal Requirements

- Microsoft Windows Vista, XP or 2000
- USB 1.1 or 2.0 port



mm (inch)

