

DATASHEET

The Duple enables both the VisualDMX and Canvix lighting control applications to send and receive DMX512.

Sending DMX512 via the Duple's output port will transform any personal computer or laptop into a fully functional lighting desk, able to control DMX512 equipment such as moving lights, LED, dimmers and effects.

To further enhance the software's user interface the Duple is also equipped with a DMX512 input port, allowing you to connect and control the lights through any additional DMX console. The faders and flash buttons now become part of VisualDMX and Canvix; these can be configured to control any software function.

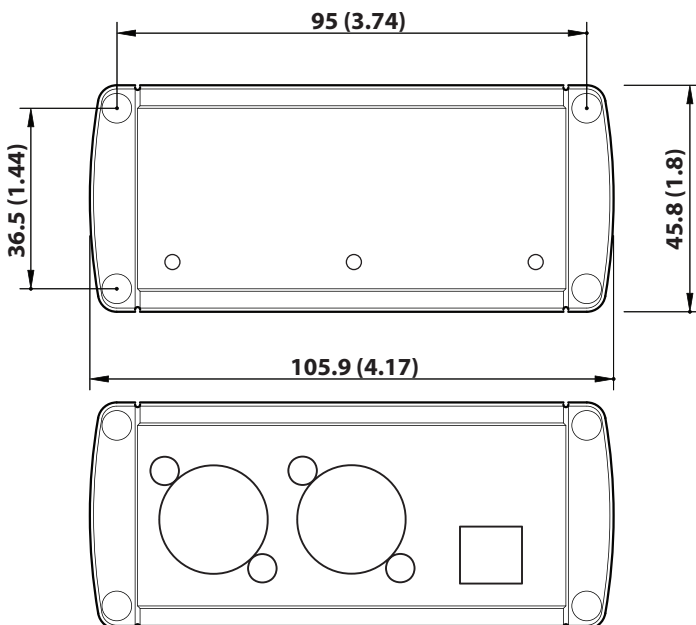
Utilising the USB connections of the computer it is even possible to expand the capacity of VisualDMX and Canvix by connecting multiple Duples to your computer.


Specifications

- DMX512A
- 512 Channels input & 512 channels output
- 5-pin XLR DMX connectors
- Optically isolated input
- Dimensions 110 x 106 x 46 mm (4.33 x 4.17 x 1.80 inches)
- Weights 300 gram (0.7 lbs)

Minimal Requirements

- Microsoft Windows Vista, XP or 2000
- USB 1.1 or 2.0 port



mm (inch)

