

TL-078



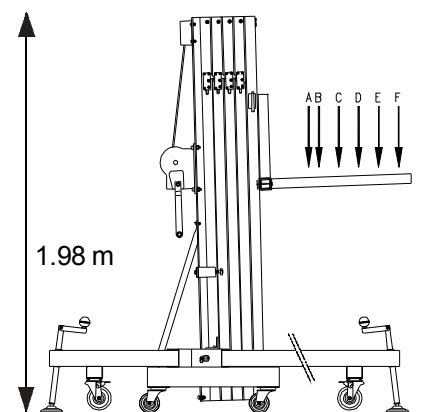
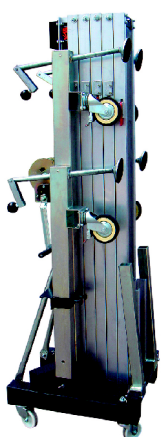
Front load aluminium towerlift with ALS security.

TECHNICAL SPECIFICATIONS

Maximum height	8 m
Maximum load	280 Kg
Security	ALS
Work surface	2,2 x 2,2 m
Folded height	1,98 m
Weight	203 Kg
Winch	1200 Kg
Load support	Forks

Distance from the center of the load to the towerlift	Maximum load
---	--------------

A	30 cm	280 Kg
B	40 cm	236 Kg
C	50 cm	204 Kg
D	60 cm	179 Kg
E	70 cm	160 Kg
F	80 cm	145 Kg



Intl. Tel.: +34 961 22 15 21
Tel.: 902 34 10 34 - Fax: + 34 961 22 11 77
Web: www.vmb.es - E-mail: contact@vmb.es

