

TL-075c



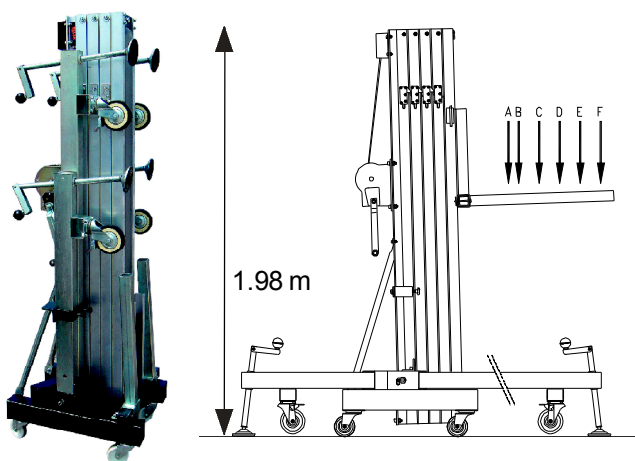
Front load aluminium towerlift with ALS security.

▷▷ TECHNICAL SPECIFICATIONS

Maximum height	6,5 m
Maximum load	300 Kg
Security	ALS
Work surface	2,2 x 2,2 m
Folded height	1,98 m
Weight	179 Kg
Winch	1200 Kg
Load support	Forks

Distance from the center of the load to the towerlift	Maximum load
---	--------------

A	30 cm	300 Kg
B	40 cm	253 Kg
C	50 cm	219 Kg
D	60 cm	193 Kg
E	70 cm	174 Kg
F	80 cm	155 Kg



Intl. Tel.: +34 961 22 15 21
Tel.: 902 34 10 34 - Fax: + 34 961 22 11 77
Web: www.vmb.es - E-mail: contact@vmb.es

