

**TANNOY**   
HEAR | BELIEVE



# **TS** ACTIVE SUBWOOFERS

Owners Manual

## TS Subwoofers Owner's Manual

These high performance subwoofers have been built and tested with care and precision, to provide first class performance and reliable operation. To ensure maximum benefit from ownership and for reasons of safety, please read the following information before using for the first time. Please complete and return the enclosed warranty registration document - this does not limit your legal rights.

4 - 6

### Electrical Connection

6 - 7

### Installation

- ⊗ Fitting of feet
- ⊗ Connecting to your system
- ⊗ Positioning
- ⊗ Auto Power / Sleep Function
- ⊗ Overload Protection
- ⊗ Cleaning

8

### TS8 Specifications

TS8 Dimensions  
TS8 Rear Panel

9

### TS10 Specifications

TS10 Dimensions  
TS10 Rear Panel

10

### TS12 Specifications

TS12 Dimensions  
TS12 Rear Panel

11

### Technical Specifications

## IMPORTANT SAFETY INSTRUCTIONS

1. Read these instructions.
2. Keep these instructions.
3. Heed all warnings.
4. Follow all instructions.
5. Do not use this apparatus near water.
6. Clean only with dry cloth.
7. Do not block any ventilation openings. Install in accordance with manufacturer's instructions.
8. Do not install near any heat sources such as radiators, heat registers, stoves, or other apparatus (including amplifiers) that produce heat.
9. Do not defeat the safety purpose of the polarized or grounding-type plug. A polarized plug has two blades with one wider than the other. A grounding type plug has two blades and a third grounding prong. The wide blade or the third prong are provided for your safety. If the provided plug does not fit into your outlet, consult an electrician for replacement of the obsolete outlet.
10. Protect the power cord from being walked on or pinched particularly at plugs, convenience receptacles, and the point where they exist from the apparatus.
11. Only use attachments/accessories specified by the manufacturer.
12. Unplug this apparatus during lightning storms or when unused for long periods of time.
13. Refer all servicing to qualified service personnel. Servicing is required when the apparatus has been damaged in any way, such as power-supply cord or plug is damaged, liquid has been spilled or objects have fallen into the apparatus, the apparatus has been exposed to rain or moisture, does not operate normally, or has been dropped.
14. **WARNING:** To reduce the risk of fire or electrical shock, this apparatus should not be exposed to rain or moisture and objects filled with liquids, such as vases, should not be placed on this apparatus.
15. To completely disconnect this equipment from the mains, disconnect the power supply cord plug from the receptacle.
16. The mains plug of the power supply cord shall remain readily operable.
17. Store complete packaging in case it is needed for re-use.
18. Due to the powerful drive unit magnet, do not place within (3 feet) 1 metre of a television or computer monitor.



The lightning flash with an arrowhead symbol within an equilateral triangle, is intended to alert the user to the presence of uninsulated "dangerous voltage" within the product's enclosure that may be of sufficient magnitude to constitute a risk of electric shock to persons.



The exclamation point within an equilateral triangle is intended to alert the user to the presence of important operating and maintenance (servicing) instructions in the literature accompanying the product.

## IMPORTANT SAFETY INSTRUCTIONS

### Electrical Requirements

Check that the voltage rating displayed on the rear panel is correct for your area before connecting. If it is incorrect, please refer to your local dealer or authorised service agent, as no user adjustment is provided.

### EUROPEAN MODELS

A mains cable is supplied with an IEC moulded socket at one end and a moulded mains plug at the other end. Where the moulded plug is fitted with a mains fuse, always replace with the same 5A rated fuse.

If the fitted plug is unsuitable for your type of outlet sockets, it should be cut off and disposed of safely, in case it is inserted into a live socket elsewhere. The wires in the mains cable are coloured in accordance with the following code:

GREEN AND YELLOW  
BLUE  
BROWN

EARTH  
NEUTRAL  
LIVE

AS THE COLOURS OF THE WIRES IN THE MAINS CABLE MAY NOT CORRESPOND WITH THE COLOURED MARKINGS IDENTIFYING THE TERMINALS IN YOUR PLUG, PROCEED AS FOLLOWS:

- ⊙ The wire which is coloured GREEN AND YELLOW must be connected to the terminal in the plug which is marked either by the letter E, the earth safety symbol, or coloured GREEN or GREEN and YELLOW.
- ⊙ The wire which is coloured BLUE must be connected to the terminal in the plug which is marked by the letter N or coloured BLACK.
- ⊙ The wire which is coloured BROWN must be connected to the terminal in the plug which is marked by the letter L or coloured RED.
- ⊙ Ensure that the terminals are tightened securely, and no loose strands of wire are present. Ensure cord grip is clamped over outer sheath of cable, rather than over the wires.

### FUSE PROTECTION

An additional mains fuse is provided in the IEC power inlet on the back of the loudspeaker, which can only be removed with the power cord unplugged. This must be replaced by a fuse of the same type and rating (see Specifications or refer to rear panel).

## Installation

### FITTING OF FEET

Screw the four cones into the inserts on the base of the cabinet. Spikes and lock nuts are provided to provide stability when used on a carpet. For use on a wooden floor, the spikes should be inverted.

### CONNECTING TO YOUR SYSTEM

For 2 channel stereo use, if your preamplifier has a spare set of outputs, connect left and right to the subwoofer L and R phono inputs using screened cable. Alternatively for AV use, take the subwoofer output from your AV processor, and plug into either LINE IN phono socket.

Users with balanced systems may make use of the XLR inputs. With this option, a LINE OUT facility is provided, to feed amplifier for the main speaker pair. This can be selected by the adjacent switch to be either a DIRECT feed, or provide an 80Hz HIPASS function. The latter setting is recommended for smaller main speakers.

### SETTING UP

- ⊗ Ensure the main POWER switch is in the OFF position.
- ⊗ You can operate these subwoofers in two modes, AUTO and ON continuously, using the switch provided. In AUTO, the unit remains OFF until an input signal is detected.
- ⊗ Status is confirmed by the power light, which glows red in AUTO standby, but is otherwise green.

### AV SYSTEMS:

Firstly set GAIN (volume) control to MIN, and LFE MODE switch to ON. This will bypass the unit's internal crossover, with this function now provided for within the AV processor. The XOVER FREQ. Control will no longer be functional. Set the PHASE control to 0°. The LED will turn green when switched ON, or when a signal is detected in AUTO mode.

Set the LF EXTENSION control to mid position and play some music or other material through the system and slowly increase the input level control until roughly the correct amount of bass is present. If this does not prove possible, rotate the PHASE control clockwise, which with some speakers and rooms will give increased bass output. Moving the LF EXTENSION control anticlockwise towards the MUSIC position will give a deeper more extended bass, while moving it clockwise towards the THEATRE position will increase the impact of movie sound effects. Fine adjustment of the controls will take a little time using a range of different programme material.

Remember that the object of a subwoofer is to enhance the output of your main speakers, not overpower it.

## Installation

### 2 CHANNEL STEREO

Operation is basically the same as above, except the LFE switch should be set to OFF, and the XOVER FREQ. control must be set to suit your main speakers. If you know the lower roll-off frequency of your speakers (as given in the manual), set the control to this value roughly as a starting point. If not, set the control to mid position. Using a range of music, adjust the control to give the smoothest integration between the main speakers and the subwoofer. The LF EXTENSION control should be set to MUSIC, but some deviation away from this setting may be preferred depending on the main speakers and room.

### POSITIONING

As a subwoofer produces low frequencies only, it is difficult to detect its location by ear. It can therefore be placed anywhere in the room, but it is worth experimenting to find the optimum position. Bass output will increase next to a wall or especially in a corner; so use the GAIN control to compensate if moving your subwoofer around.

### AUTO POWER/ SLEEP FUNCTION

These subwoofers can be left permanently on in AUTO mode, under which conditions they will revert to 'sleep' mode after approximately 12 minutes.

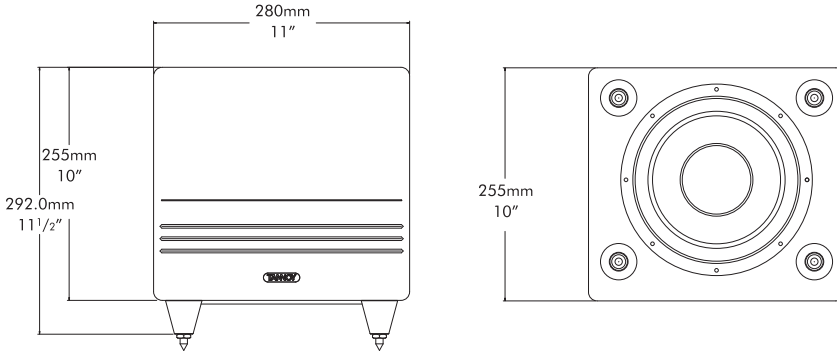
When unused for some time, such as vacations, set the main power switch to OFF and unplug the unit from the mains.

### OVERLOAD PROTECTION

All Tannoy TS active subwoofers are provided with circuitry to limit the maximum sound output, in order to eliminate audible distortion. This circuitry will normally operate unnoticed. If however distortion is heard, this indicates the unit is being severely overloaded, and to avoid damage, the input level should be reduced immediately.

# TANNOY® TS ACTIVE SUBWOOFERS

## TS8 Dimensions

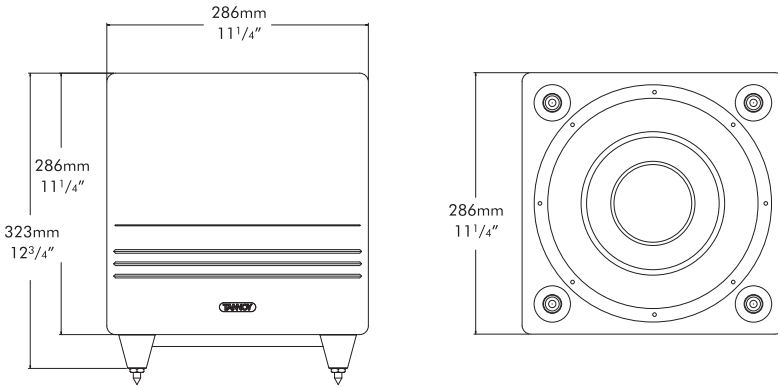


## TS8 Rear Panel



# TANNOY TS ACTIVE SUBWOOFERS

## TS10 Dimensions



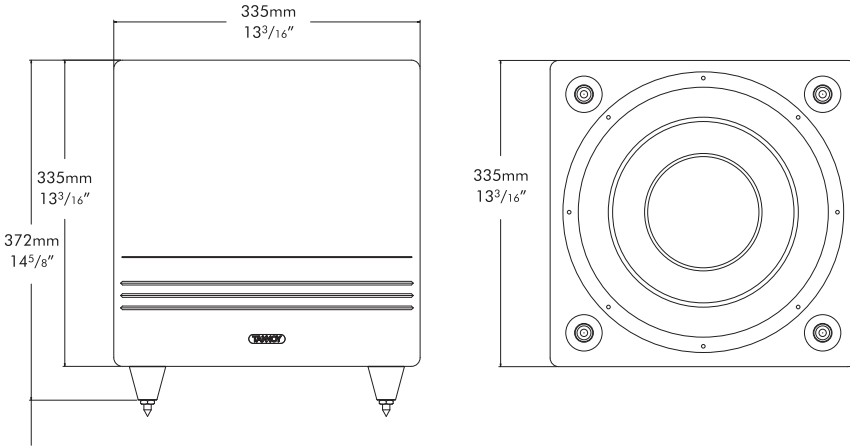
## TS10 Rear Panel



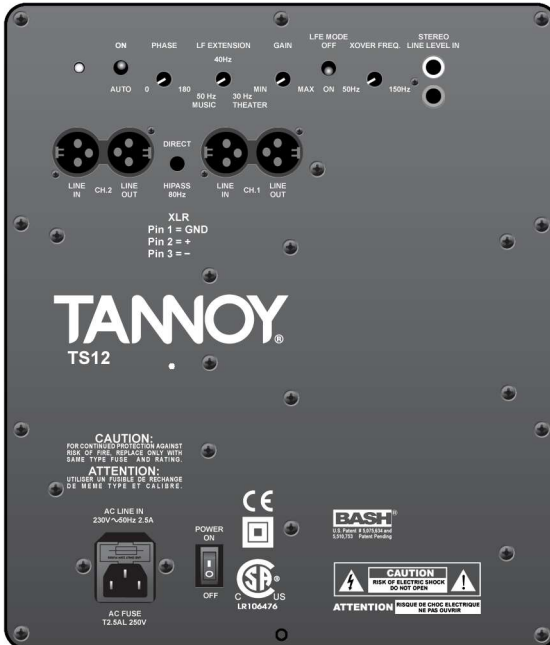


# TANNOY® TS ACTIVE SUBWOOFERS

## TS12 Dimensions



## TS12 Rear Panel



# TANNOY TS ACTIVE SUBWOOFERS

<b>Technical Specification</b>	<b>TS8</b>	<b>TS10</b>
Output Power	200W RMS	300W RMS
Low Frequency Response (-6dB) Limit for usable output	32Hz 18Hz	29Hz 16Hz
Inputs	2 x line level phono 2 x XLR balanced	2 x line level phono 2 x XLR balanced
Outputs	2 x XLR balanced (direct or 80Hz HIPASS)	2 x XLR balanced (direct or 80Hz HIPASS)
Input Filter	2 <sup>nd</sup> order low pass, 50Hz – 150Hz, -6dB.	2 <sup>nd</sup> order low pass, 50Hz – 150Hz, -6dB.
Auto Mute	After approximately 12 mins, in absence of input signal	After approximately 12 mins, in absence of input signal
Driver Type	200mm (8")	250mm (10")
Enclosure Type	Closed box	Closed box
Enclosure Volume	12.5 litre/ 0.45cu.ft	16.75 litre/ 0.6cu.ft
Additional Features	Phase control Crossover defeat switch for LFE operation Soft limiting to avoid overload LF extension control	Phase control Crossover defeat switch for LFE operation Soft limiting to avoid overload LF extension control
Enclosure (H x W x D) Including feet	292 x 280 x 255mm 11 <sup>1</sup> / <sub>2</sub> " x 11" x 10"	323 x 286 x 286mm 12 <sup>3</sup> / <sub>4</sub> " x 11 <sup>1</sup> / <sub>4</sub> " x 11 <sup>1</sup> / <sub>4</sub> "
Enclosure Weight	7.0kg/ 15.4lbs	9.5kg/ 21lbs
Mains Voltage	120V nominal AC , 60Hz 230V nominal AC , 50Hz	120V nominal AC , 60Hz 230V nominal AC , 50Hz
Mains Fuse	120V- T2AL/250V 230V- T1AL/250V	120V - T3.15AL/250V 230V - T1.6AL/250V
Maximum Power Consumption	275VA	416VA

# TANNOY® TS ACTIVE SUBWOOFERS

## Technical Specification

## TS12

Output Power	500W RMS
Low Frequency Response (-6dB) Limit for usable output	26Hz 15Hz
Inputs	2 x line level phono 2 x XLR balanced
Outputs	2 x XLR balanced (direct or 80Hz HIPASS)
Input Filter	2 <sup>nd</sup> order low pass, 50Hz – 150Hz, -6dB.
Auto Mute	After approximately 12 mins, in absence of input signal
Driver Type	300mm (12")
Enclosure Type	Closed box
Enclosure Volume	22 litre/ 0.78cu.ft
Additional Features	Phase control Crossover defeat switch for LFE operation Soft limiting to avoid overload LF extension control
Enclosure (H x W x D) Including feet	372 x 335 x 335mm 14 <sup>5</sup> / <sub>8</sub> " x 13 <sup>3</sup> / <sub>16</sub> " x 13 <sup>3</sup> / <sub>16</sub> "
Enclosure Weight	12.5kg/ 27.5lbs
Mains Voltage	120V nominal AC , 60Hz 230V nominal AC , 50Hz
Mains Fuse	120V- T5AL/250V 230V- T2.5AL/250V
Maximum Power Consumption	600VA

## Warranty

Tannoy adopts a policy of continuous improvement and product specification is subject to change.  
E. & O.E.



UL6500  
EN/IEC 60065  
CSA FILE #108093



C US

This equipment has undergone safety and EMC testing, and complies with the European Low Voltage Directive and Electromagnetic Compatibility Directive, together with the requirements of the Canadian Standards Association (CSA).

**TS ACTIVE  
SUBWOOFERS**

**ACTIVE SUBWOOFERS**

Tannoy Subwoofers are designed and engineered in Great Britain by:

Tannoy Ltd, Rosehall Industrial Estate, Coatbridge,  
North Lanarkshire, ML5 4TF, SCOTLAND  
Telephone: +44 (0)1236 420199 Fax: +44 (0)1236 428230

Tannoy North America Inc, Suite 1. 335 Gage Avenue, Kitchener,  
Ontario, CANADA, N2M 5E1  
Telephone: (519) 745 1158 Fax: (519) 745 2364

Check periodically for the latest manual revision that will always be available for download from  
[www.tannoy.com](http://www.tannoy.com) The revision number of this manual is located below

Issue 1 Part No. 6481 0418 / 0404

**TANNOY**   
HEAR | BELIEVE