



Rugged Road Ready Features

- * Beefy, Stackable Ball Corners
- * Double Anchor Industrial Rivets
- * Recessed, Industrial Grade Latches
- * Recessed, Spring Loaded Handles
- * Industrial Grade Rubber Feet
- * Premium 3/8" Vinyl Laminated Plywood
- * Tongue and Groove Locking Fit
- * Heavy Duty 3 1/2" Caster
- * ATA 300 Rating
- * Road Ready Limited Lifetime Warranty

Product Dimensions

Shipping Dimensions (inch): 45 x 29.9 x 27.1

Shipping Weight (lbs): 161.4

Product Dimensions (inch): 44.8 x 29.5 x 25.5

Product Weight (lbs): 157

Shipping Dimensions (cm): 114.5 x 76 x 69

Shipping Weight (kg): 73.4

Product Dimensions (cm): 113 x 74.5 x 67

Product Weight (kg): 71.4

RRUT1

UTILITY TRUNK W/ ADJUSTABLE
COMPARTMENTS AND WHEELS



Rugged, large and built to swallow anything you put in it's way, the RRUT1 is an absolute beast! To civilize it a bit we included a heavy-duty 3 1/2 " integral caster kit with brakes, two take out drawers to store smaller accessories and up to 8 fully adjustable/ removable storage compartments to thoroughly organize your gear. Unique dishes on the top of each trunk also allow multiple trunks to be stacked on top of one-another to optimize space while traveling. Brains and Brawn!

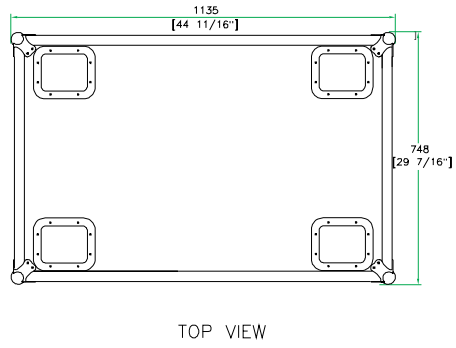
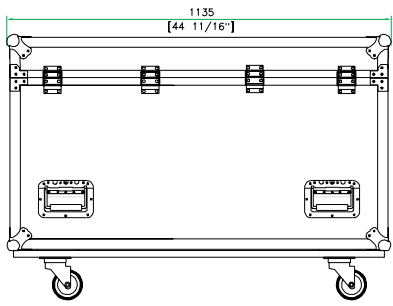
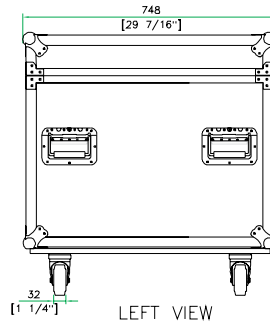
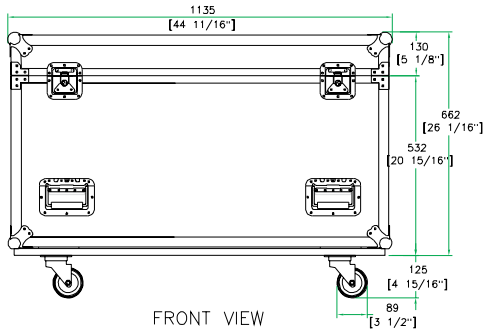
Road Ready Cases

1226 Corral Place * Santa Fe Springs, CA 90670

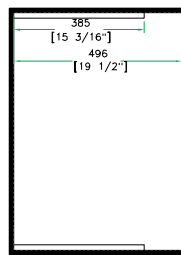
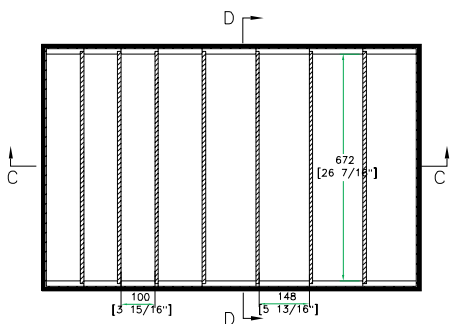
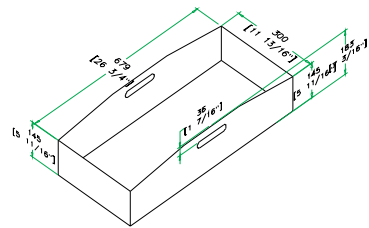
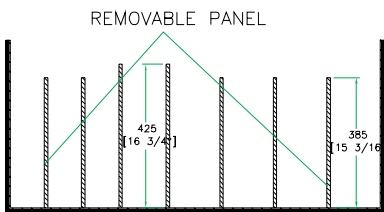
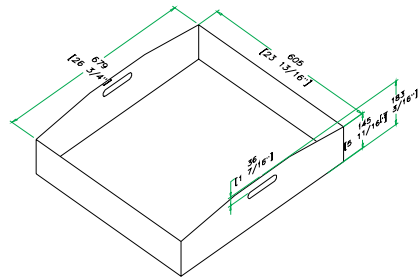
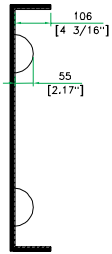
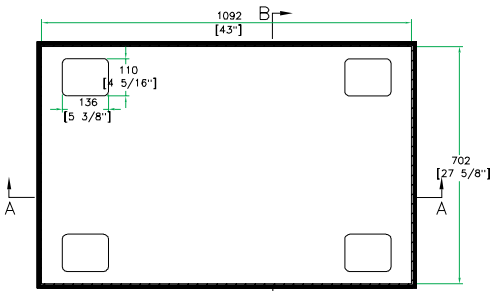
ph: 562.906.6185 * fax: 562.906.6186

WWW.ROADREADYCASES.COM

RRUT1



A-A VIEW



TOP VIEW OF BASE

D-D VIEW