



## Rugged Road Ready Features

- \* Beefy, Stackable Ball Corners
- \* Double Anchor Industrial Rivets
- \* Recessed, Industrial Grade Latches
- \* Industrial Grade Rubber Feet
- \* Premium 3/8" Vinyl Laminated Plywood
- \* Tongue and Groove Locking Fit
- \* Rear Hinged Access Door
- \* Heavy Duty Rack Rails
- \* Mounting Hardware Included
- \* Storage Tray
- \* Sliding DJ Mixer Tray
- \* Laptop Tray
- \* ATA 300 Rating
- \* Road Ready Limited Lifetime Warranty

## Product Dimensions

Shipping Dimensions (inch): 24.2 x 20.2 x 26.1

Shipping Weight (lbs): 52.8

Product Dimensions (inch): 2.6 x 21.6 x 25.3

Product Weight (lbs): 50.6

Shipping Dimensions (cm): 61.5 x 51.5 x 66.5

Shipping Weight (kg): 24

Product Dimensions (cm): 60 x 55 x 64.3

Product Weight (kg): 23

# RRLTWS4

DJ CASE W/ 4U VERTICAL RACK, LAPTOP TRAY,  
SLIDING DJ MIXER TRAY, & STORAGE COMPARTMENT



Forged out of the toughest materials around and ready to hit the road, the RRLTWS4 is built smart with a with a 4U vertical rack for effects, an ingenious laptop tray for easy accessibility and a, sliding DJ mixer tray so you can get your groove on. To round out this super star we included a handy storage compartment so you can store all your accessories.

Get ready to party!

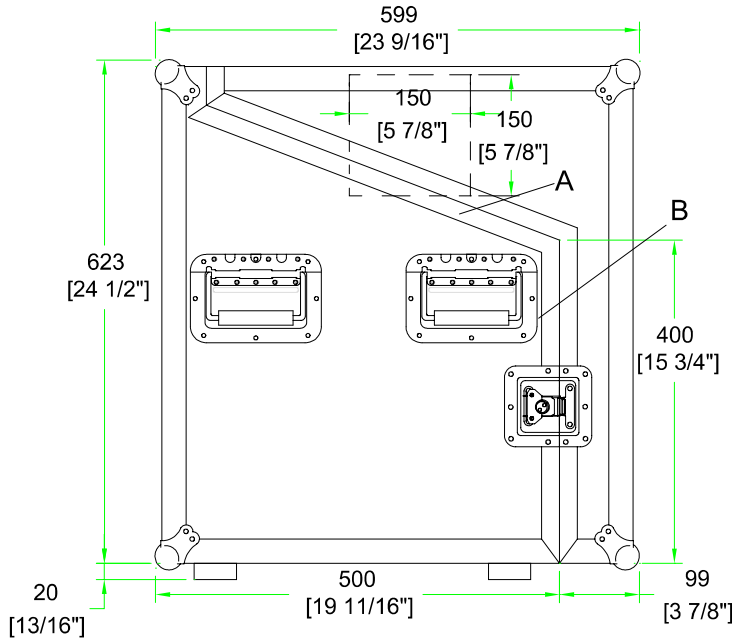
## Road Ready Cases

1226 Corral Place \* Santa Fe Springs, CA 90670

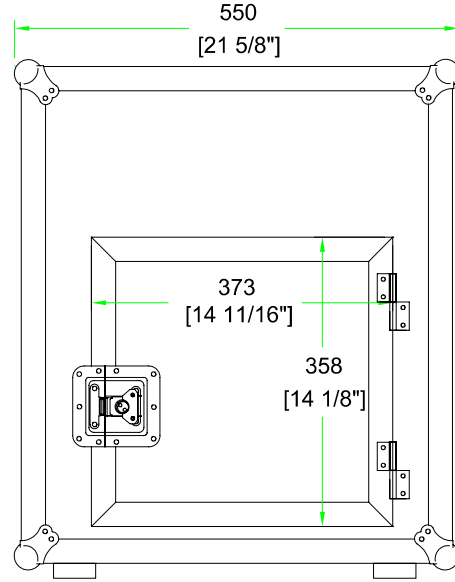
ph: 562.906.6185 \* fax: 562.906.6186

**WWW.ROADREADYCASES.COM**

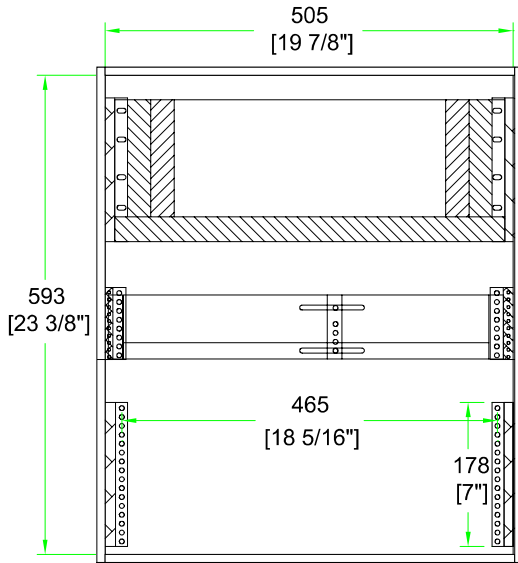
# RRLTWS4



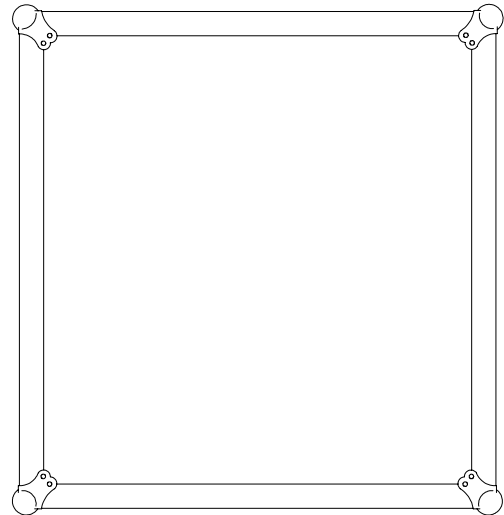
SIDE VIEW



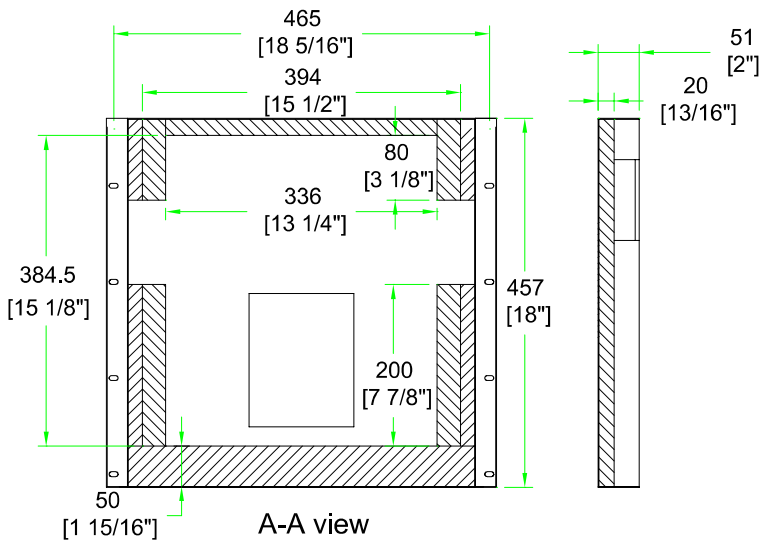
FRONT VIEW



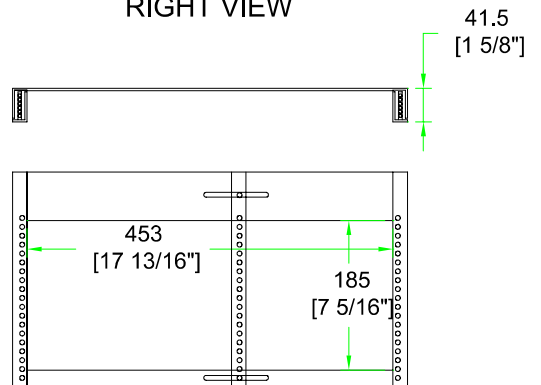
INSIDE VIEW



RIGHT VIEW



A-A view



B-B view  
 metal rack for mixer

2006-07-22