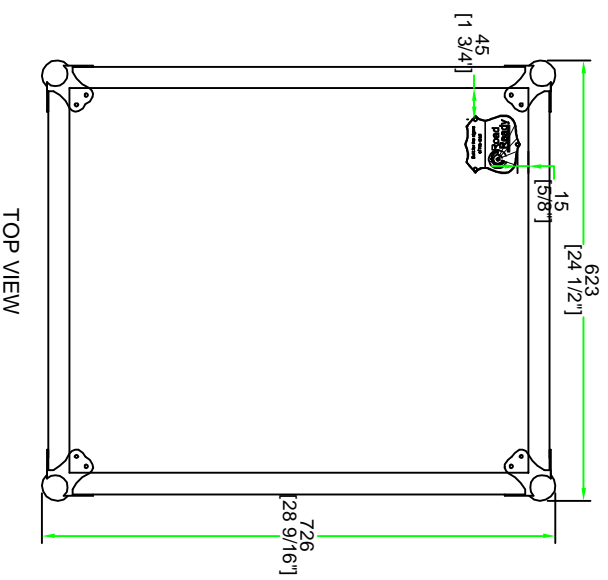
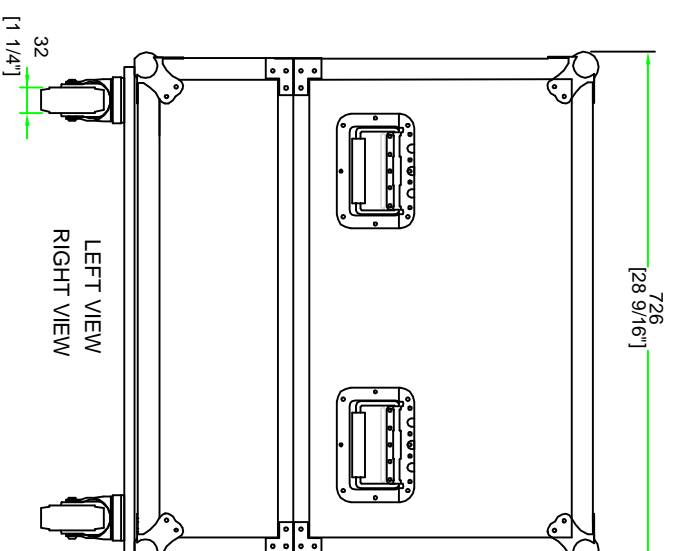
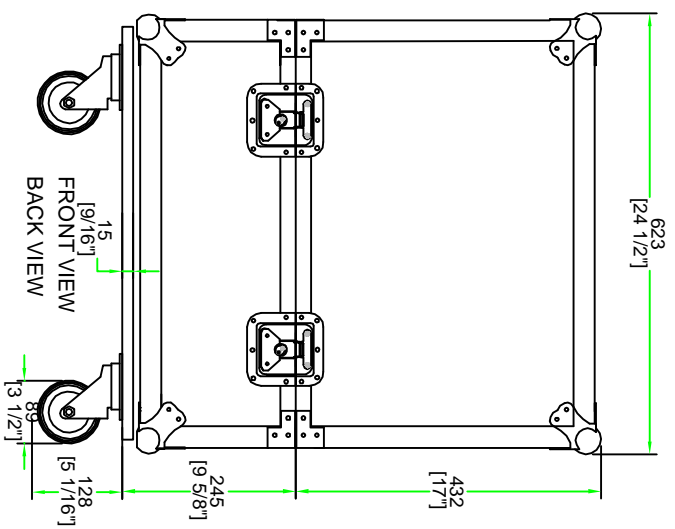
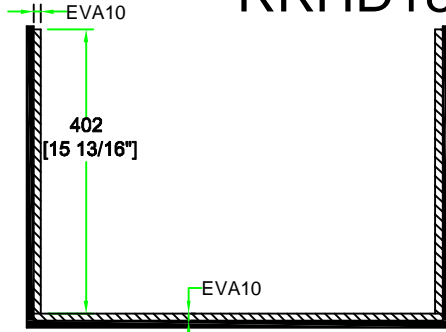


# RRHD1801C

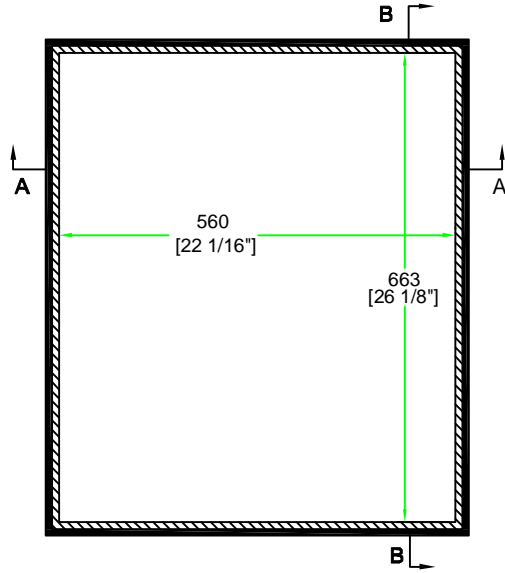


SKU:RRHD1801C	BY:		
UPC : NA	<b>ROAD READY CASES</b>		
APPROVAL SIGNATURE :	DATE :		
DRAWING DATE : 09 / 13 / 2010	SCALE : 1:8	DRAWINGS NUMBER : 1/2	REVISION : NA

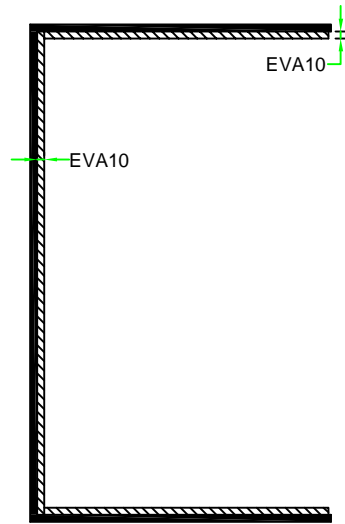
# RRHD1801C



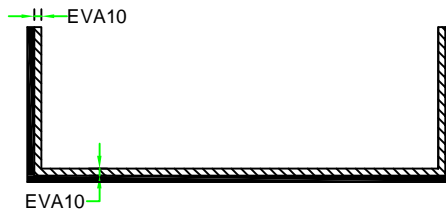
A-A VIEW



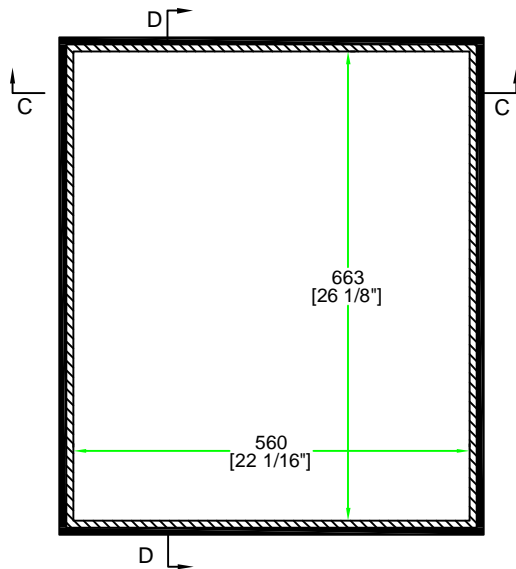
TOP VIEW OF COVER



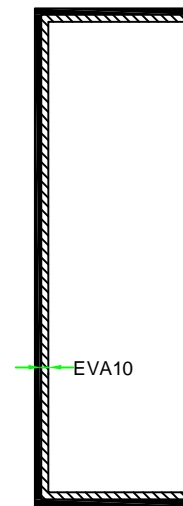
B-B VIEW



C-C VIEW



TOP VIEW OF BASE



D-D VIEW



SKU:RRHD1801C	BY:	ROAD READY CASES	
UPC: NA	APPROVAL SIGNATURE: _____ DATE: _____		
DRAWING DATE:	SCALE:	DRAWING NUMBER:	REVISION:
09 / 13 / 2010	1:8	2/2	NA