



## Rugged Road Ready

### Features

- \* Double Anchor Industrial Rivets
- \* Recessed, Industrial Grade Latches
- \* Recessed, Spring Loaded Handles
- \* Industrial Grade Rubber Feet
- \* Premium Vinyl Laminated Plywood
- \* Tongue and Groove Locking Fit
- \* Low Profile Base Design
- \* Road Ready Limited Lifetime Warranty

### Product Dimensions

Shipping Dimensions ( inch): 22.4 x 14.9 x 15.1

Shipping Weight ( lbs): 40.7

Product Dimensions (inch): 21.2 x 14.3 x 14.4

Product Weight (lbs): 37

Shipping Dimensions( cm):57 x 38 x 38.5

Shipping Weight ( kg): 18.5

Product Dimensions (cm): 55.5 x 36.5 x 36.6

Product Weight (kg):17

# RREMIX

CASE FOR YAMAHA EMX 66M/68S/88S  
MIXERS



Created for the Pro's, the RREMIXE mixer case is made for the journey and built to hold strong in high stress situations. Designed to fit the Yamaha EMX 66M, 68S, and 88S mixers, the RREMIXE features a heavy-duty removable, latchable cover with our No Pressure Design to protect your mixer controls and an unique low profile base design that allows you to access your mixer's rear connection panel without removing your mixer from the case. Tougher than the pavement! That's the idea

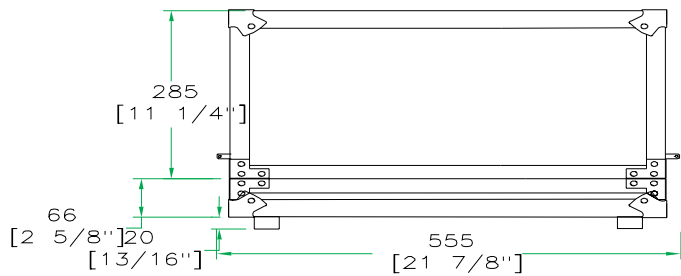
## Road Ready Cases

1226 Corral Place \* Santa Fe Springs, CA 90670

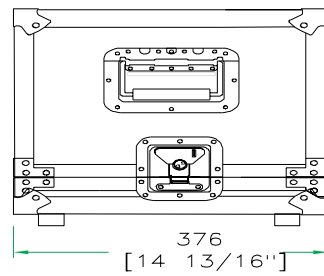
ph: 562.906.6185 \* fax: 562.906.6186

**WWW.ROADREADYCASES.COM**

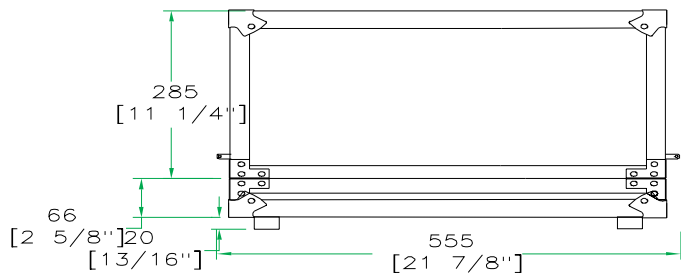
# RREMX



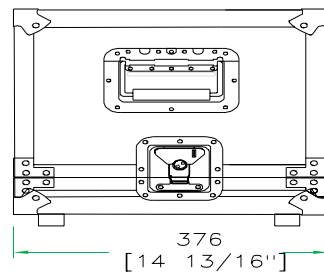
FRONT VIEW



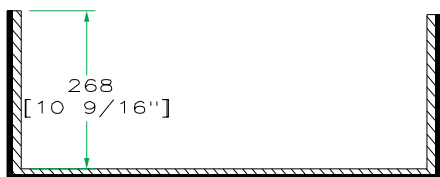
LEFT VIEW



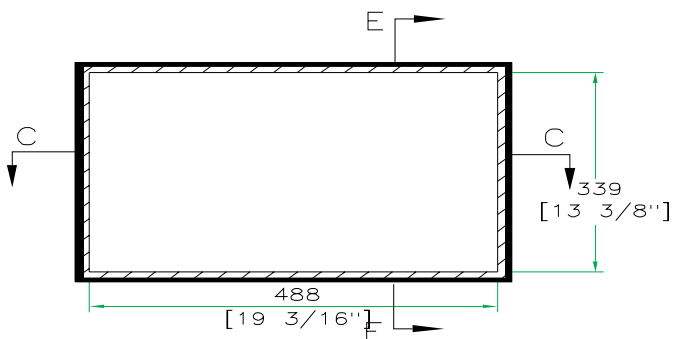
BACK VIEW



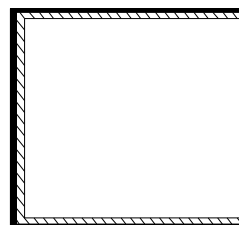
RIGHT VIEW



A-A VIEW



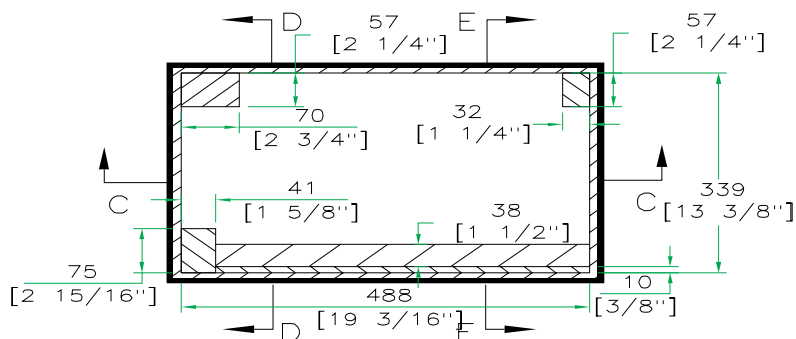
TOP VIEW OF COVER



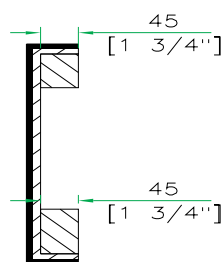
B-B VIEW



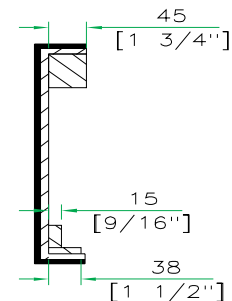
C-C VIEW



TOP VIEW OF BASE



D-D VIEW



E-E VIEW