



Rugged Road Ready Features

- * Beefy, Stackable Ball Corners
- * Double Anchor Industrial Rivets
- * Recessed, Industrial Grade Latches
- * Recessed, Industrial Grade Handle
- * Premium 3/8" Vinyl Laminated Plywood
- * Tongue and Groove Locking Fit
- * Front Access Panel
- * Rear Access Cable Port
- * ATA 300 Rating
- * Road Ready Limited Lifetime Warranty

Product Dimensions

Shipping Dimensions (inch): 22.4 x 16.9 x 9.6

Shipping Weight (lbs): 21.9

Product Dimensions (inch): 21.8 x 16.3 x 8.8

Product Weight (lbs): 20.9

Shipping Dimensions (cm): 57 x 43 x 24.5

Shipping Weight (kg): 9.6

Product Dimensions (cm): 55.5 x 41.5 x 22.5

Product Weight (kg): 9.5

RRDVJX1

CASE FOR PIONEER DVJX-I
VIDEO TURNTABLE



Created for straight-up durability to protect the Pioneer DVJX-1 Video Turntable, the RRDVJX1 is one tough cookie. Designed with brawn and brains, the RRDVJX1 fits CD players up to 14" deatures an unique removable front panel for easy access to your CD drawer. We also included adjustable modular foam lining so that you can create the prefect custom fit for your gear. Quick, Smart, Simple and 100% Road Ready

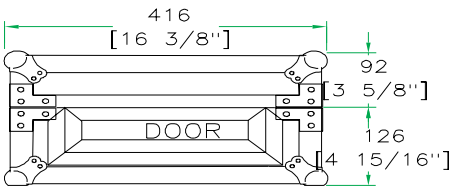
Road Ready Cases

1226 Corral Place * Santa Fe Springs, CA 90670

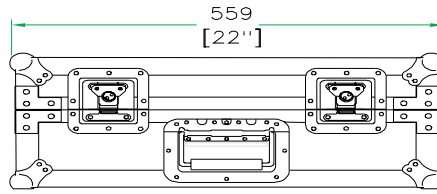
ph: 562.906.6185 * fax: 562.906.6186

WWW.ROADREADYCASES.COM

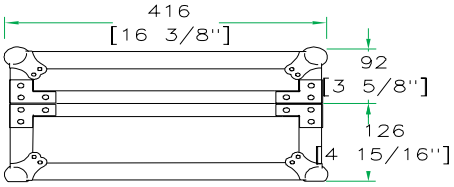
RRDVJX1



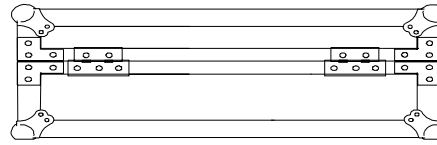
FRONT VIEW



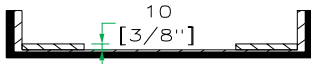
LEFT VIEW



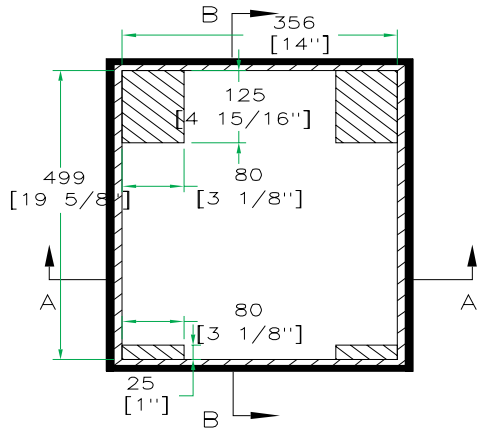
BACK VIEW



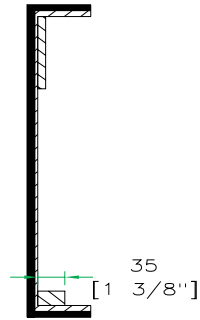
RIGHT VIEW



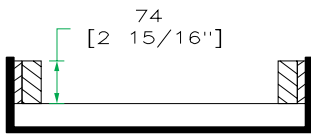
A-A VIEW



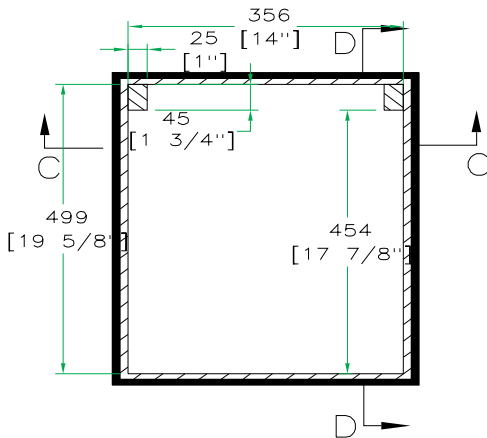
TOP VIEW OF COVER



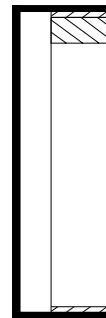
B-B VIEW



C-C VIEW



TOP VIEW OF BASE



D-D VIEW