



RRDJWS6

DJ Work Station Case for Dual CD Player, Controller, 19" Mixer, Top 3u, Mid 7u, Bottom 6u Racks



Rugged Road Ready Features

- * Beefy, Stackable Ball Corners
- * Double Anchor Industrial Rivets
- * Recessed, Industrial Grade Latches
- * Industrial Grade Rubber Feet
- * Premium 3/8" Vinyl Laminated Plywood
- * Tongue and Groove Locking Fit
- * Rear Hinged Access Door
- * Heavy Duty Rack Rails
- * Mounting Hardware Included
- * ATA 300 Rating
- * Road Ready Limited Lifetime Warranty

Product Dimensions

Shipping Dimensions (inch): 22 x 24 x 29.9
Shipping Weight (lbs): 52.8
Product Dimensions (inch): 21.4 x 23.4 x 29.5
Product Weight (lbs): 50.6
Shipping Dimensions (cm): 56 x 61 x 76
Shipping Weight (kg): 24
Product Dimensions (cm): 54.5 x 59.5 x 74.4
Product Weight (kg): 23

Forged out of the toughest materials around and ready to hit the road, the RRDJWS6 DJ workstation is built smart with our 3 level design that includes a 3-space vertical rack on the top for your CD controller, a slanted 7-space mid-level rack to accommodate your choice of 19" mixers and a bottom 6U rack for your CD player, effects, amps and more. And for added comfort we even included a unique rear hinged door for easy connections to your gear

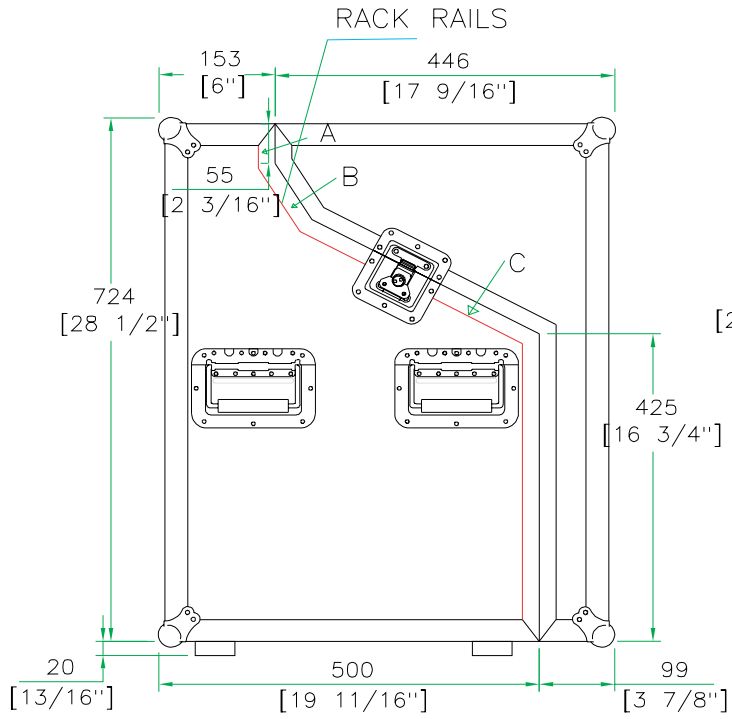
Road Ready Cases

1226 Corral Place * Santa Fe Springs, CA 90670

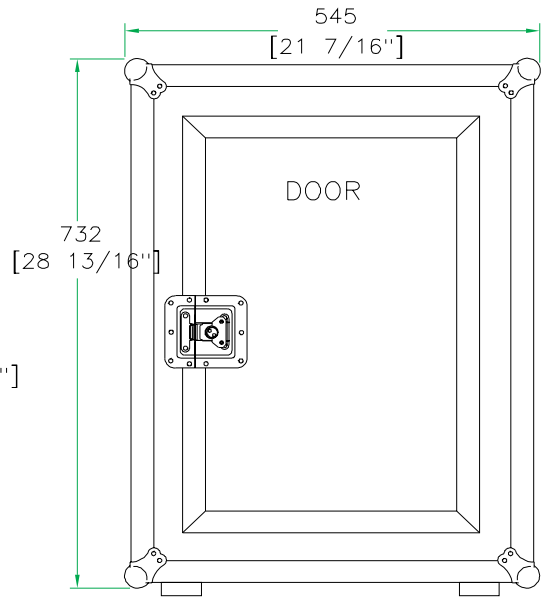
ph: 562.906.6185 * fax: 562.906.6186

WWW.ROADREADYCASES.COM

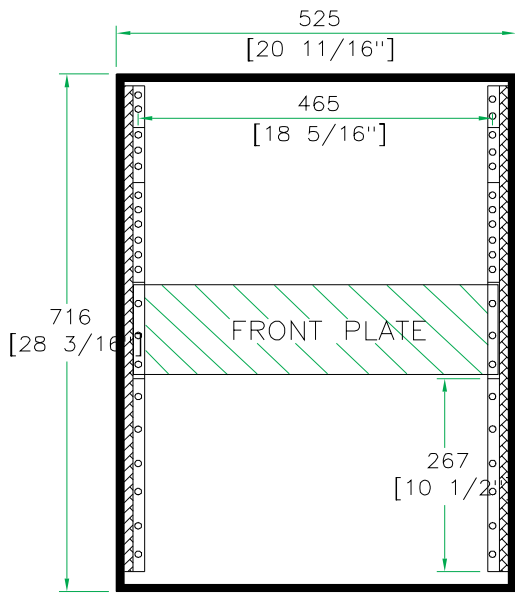
RRDJWS6



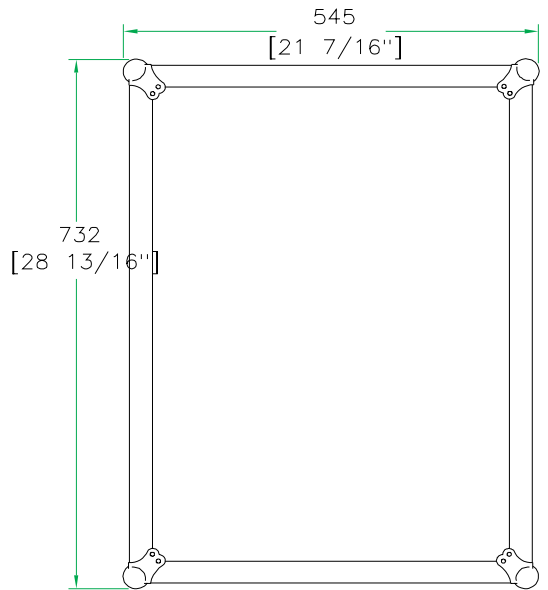
SIDE VIEW



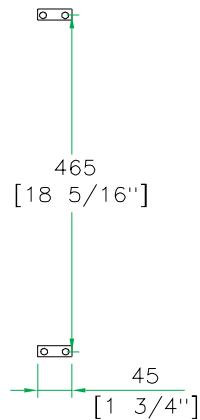
BACK VIEW



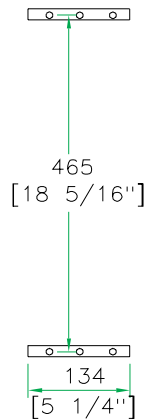
INSIDE VIEW



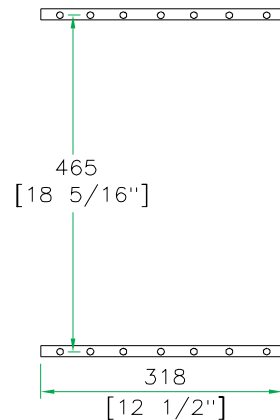
FRONT VIEW



RACK A



RACK B



RACK C