



# RRDJWS4

DJ Work Station for Dual CD Player,  
Controller, 19" Mixer, Top 3u, Mid 7u,  
Bottom 4u Racks



## Rugged Road Ready Features

- \* Beefy, Stackable Ball Corners
- \* Double Anchor Industrial Rivets
- \* Recessed, Industrial Grade Latches
- \* Industrial Grade Rubber Feet
- \* Premium 3/8" Vinyl Laminated Plywood
- \* Tongue and Groove Locking Fit
- \* Rear Hinged Access Door
- \* Heavy Duty Rack Rails
- \* Mounting Hardware Included
- \* ATA 300 Rating
- \* Road Ready Limited Lifetime Warranty

## Product Dimensions

- Shipping Dimensions (inch): 22 x 24 x 26.3
- Shipping Weight (lbs): 45.7
- Product Dimensions (inch): 21.4 x 23.4 x 25.7
- Product Weight (lbs): 44
- Shipping Dimensions (cm): 56 x 61 x 67
- Shipping Weight (kg): 20.8
- Product Dimensions (cm): 54.5 x 59.5 x 65.5
- Product Weight (kg): 20

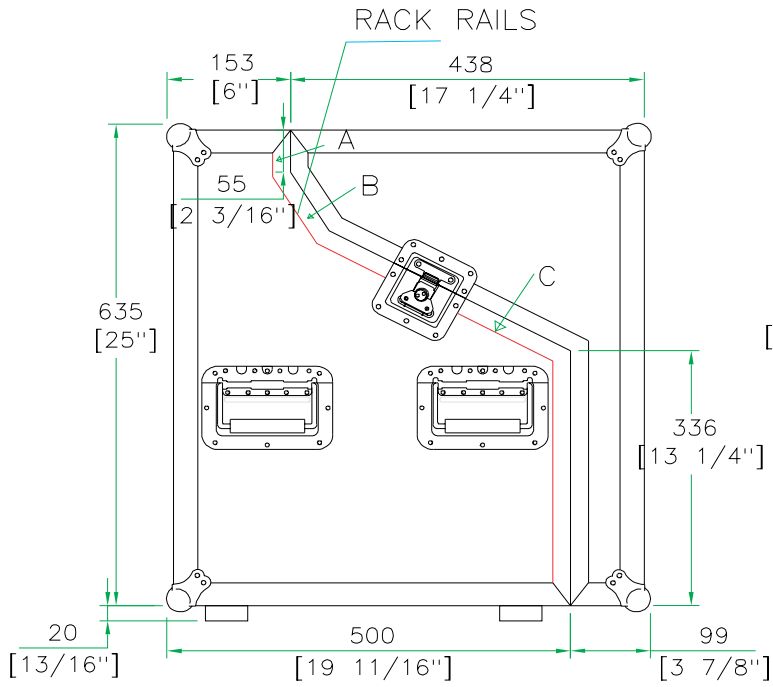
Forged out of the toughest materials around and ready to hit the road, the RRDJWS4 DJ workstation is built smart with our 3 level design that includes a 3-space vertical rack on the top for your CD controller, a slanted 7-space mid-level rack to accommodate your choice of 19" mixers and a bottom 4U rack for your CD player, effects, amps and more. And for added comfort we even included a unique rear hinged door for easy connections to your gear

## Road Ready Cases

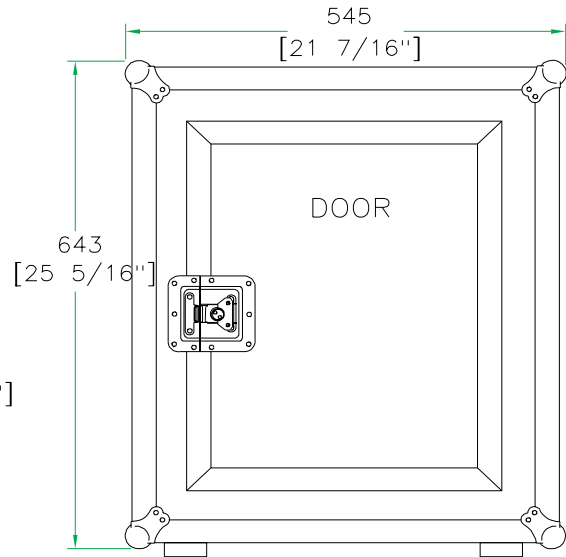
1226 Corral Place \* Santa Fe Springs, CA 90670  
ph: 562.906.6185 \* fax: 562.906.6186

**WWW.ROADREADYCASES.COM**

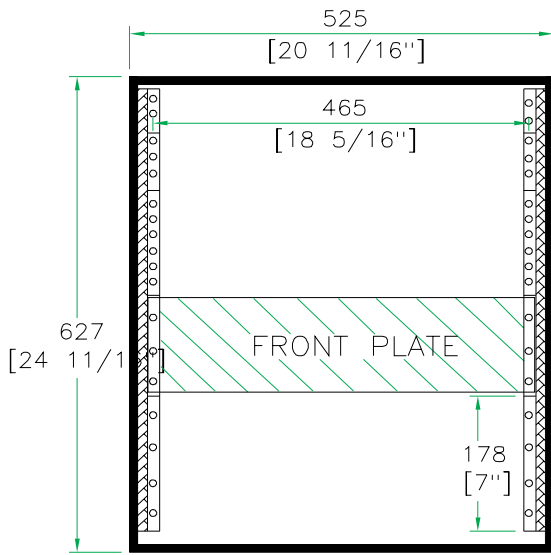
# RRDJWS4



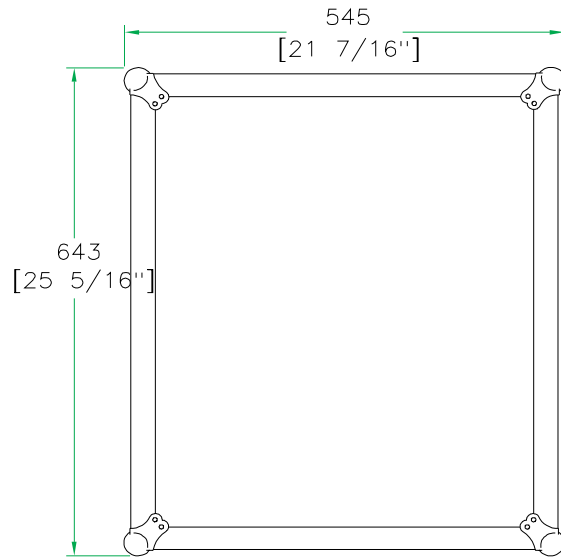
SIDE VIEW



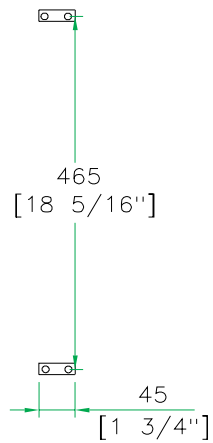
BACK VIEW



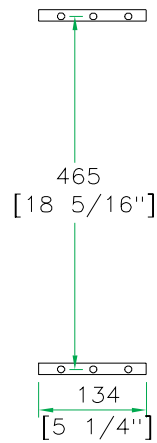
INSIDE VIEW



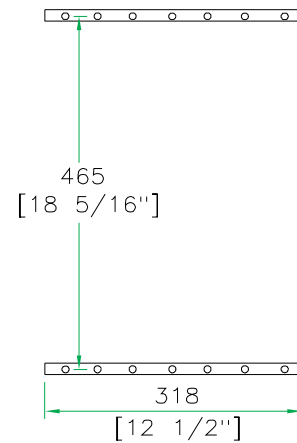
FRONT VIEW



RACK A



RACK B



RACK C