



**Built for the rigors
of the road**

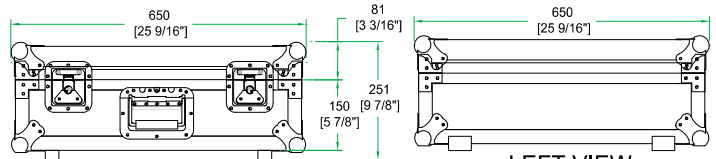
RRCYHW

We march to the beat of our own drum so we designed RRCYHW Cymbal Case. This smart percussionist has ample room to hold your cymbal set and comes standard with all our rugged Road Ready Features. The perfect rhythm to fit your life.... Road Ready!

Rugged Road Ready Features

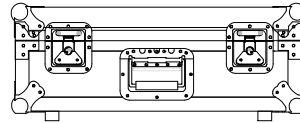
- * Beefy, Stackable Ball Corners
- * Double Anchor Industrial Rivets
- * Recessed, Industrial Grade Latch
- * Recessed, Spring Loaded Handles
- * Industrial Grade Rubber Feet
- * Premium 3/8" Vinyl Laminated Plywood
- * Tongue and Groove Locking Fit
- * ATA 300 Rating
- * Road Ready Limited Lifetime Warranty

Case for a Set of Cymbals

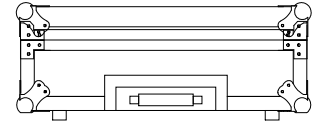


FRONT VIEW

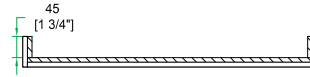
LEFT VIEW



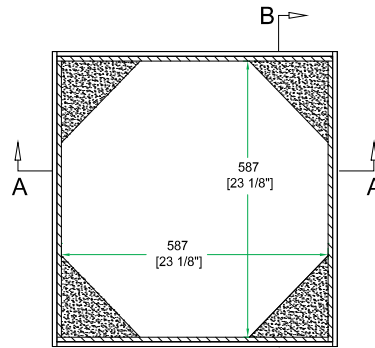
BACK VIEW



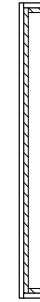
RIGHT VIEW



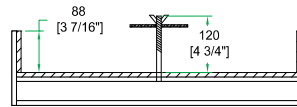
A-A VIEW



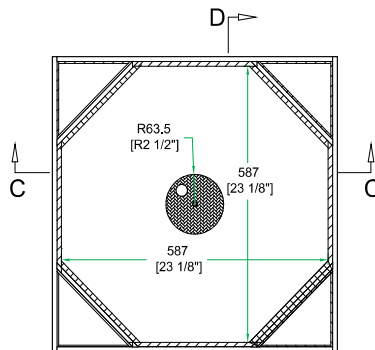
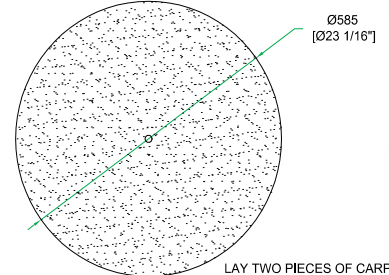
TOP VIEW OF COVER



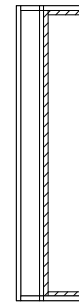
B-B VIEW



C-C VIEW



TOP VIEW OF BASE



D-D VIEW

2006-05-05

www.roadreadycases.com

Road Ready Cases 12662 Corral Place Santa Fe Springs, CA. 90670
ph: (562) 906- 6185 fax: (562) 906- 6186