



RBCDJ

Digital Turntable Case with
Front Access Door (fits Pioneer
CDJ1000, CDJ800 & Denon Dn S5000
& DN S3000 & Technics SL-DZ 1200)



Rugged Road Ready Features

- * Beefy, Stackable Ball Corners
- * Double Anchor Industrial Rivets
- * Recessed, Industrial Grade Latches
- * Recessed, Industrial Grade Handle
- * Premium 3/8" Vinyl Laminated Plywood
- * Tongue and Groove Locking Fit
- * Front Access Panel
- * Rear Access Cable Port
- * ATA 300 Rating
- * Road Ready Limited Lifetime Warranty

Product Dimensions

Shipping Dimensions (inch): 19.2 x 15.7 x 9.8

Shipping Weight (lbs): 15.4

Product Dimensions (inch): 18.4 x 15.2 x 9

Product Weight (lbs): 14.3

Shipping Dimensions (cm): 49 x 40 x 25

Shipping Weight (kg): 7

Product Dimensions (cm): 47.2 x 38.7 x 22.9

Product Weight (kg): 6.5

Created for straight-up durability to protect the big names like Pioneer and Denon, the RBCDJ is one tough cookie. A rugged case, the RBCDJ is designed to protect and transport the Pioneer CDJ1000, CDJ800, Denon DN S5000 & DN S3000, Technics SL-DZ 1200 and Stanton C303 & C304 CD Players. Designed with brawn and brains, the RBCDJ features an unique removable front panel for easy access to your CD drawer, a rear access cable port for no hassle connections, and adjustable modular foam lining so that you can create the perfect custom fit for your gear. Quick, Smart, Simple and 100% Road Ready

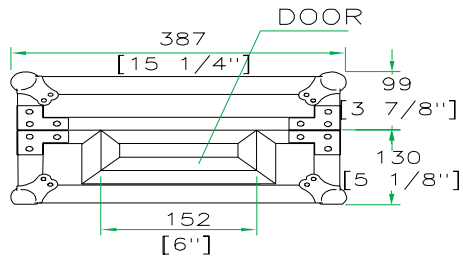
Road Ready Cases

1226 Corral Place * Santa Fe Springs, CA 90670

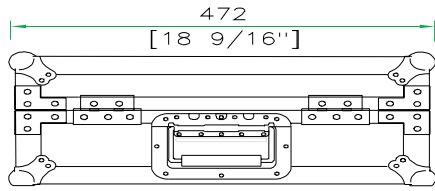
ph: 562.906.6185 * fax: 562.906.6186

WWW.ROADREADYCASES.COM

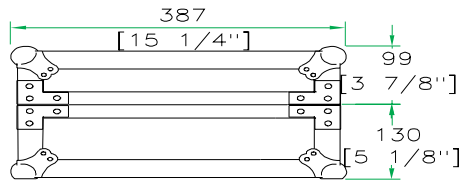
RRCDJ



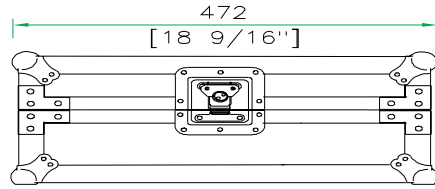
FRONT VIEW



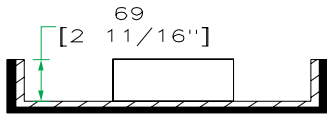
LEFT VIEW



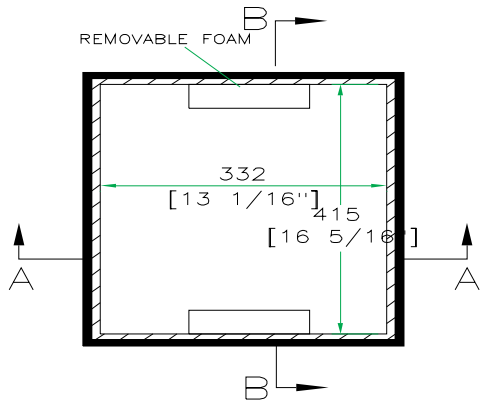
BACK VIEW



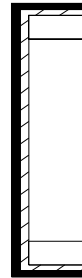
RIGHT VIEW



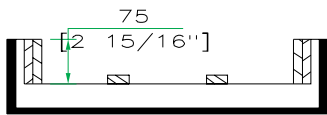
A-A VIEW



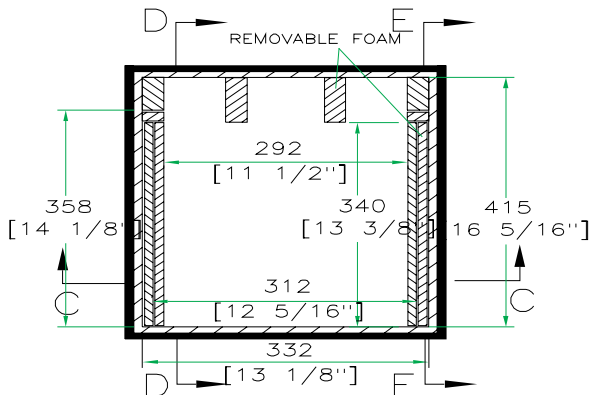
TOP VIEW OF COVER



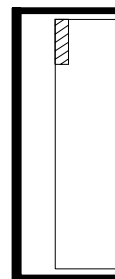
B-B VIEW



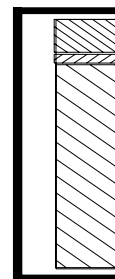
C-C VIEW



TOP VIEW OF BASE



D-D VIEW



E-E VIEW