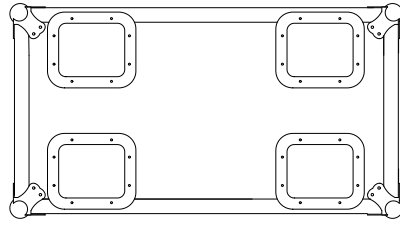
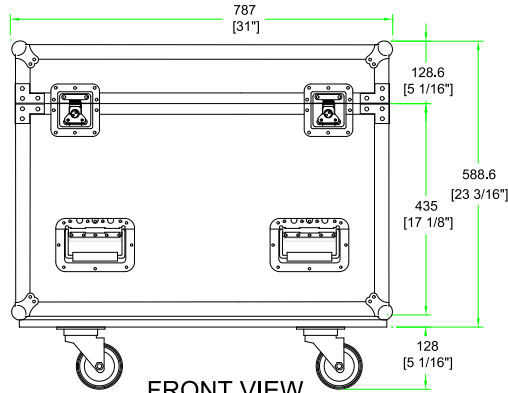


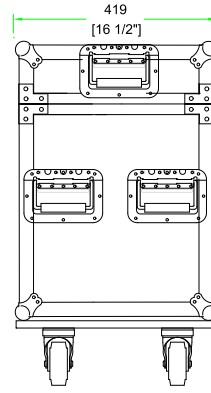
RR2MH250SC



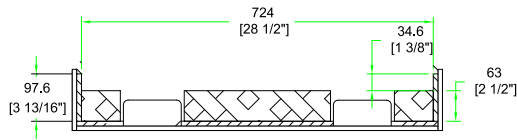
TOP VIEW



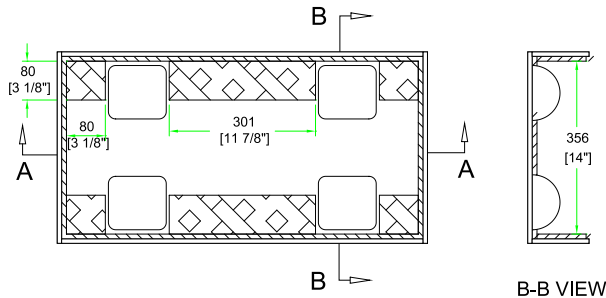
FRONT VIEW
BACK VIEW



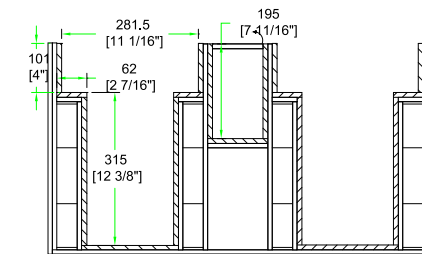
LEFT VIEW
RIGHT VIEW



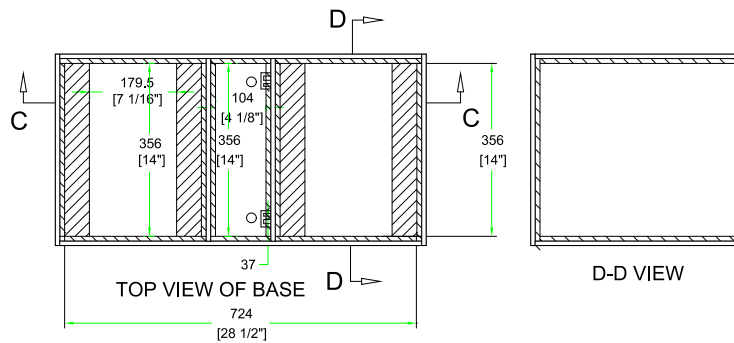
A-A VIEW



TOP VIEW OF COVER



C-C VIEW



TOP VIEW OF BASE

D-D VIEW