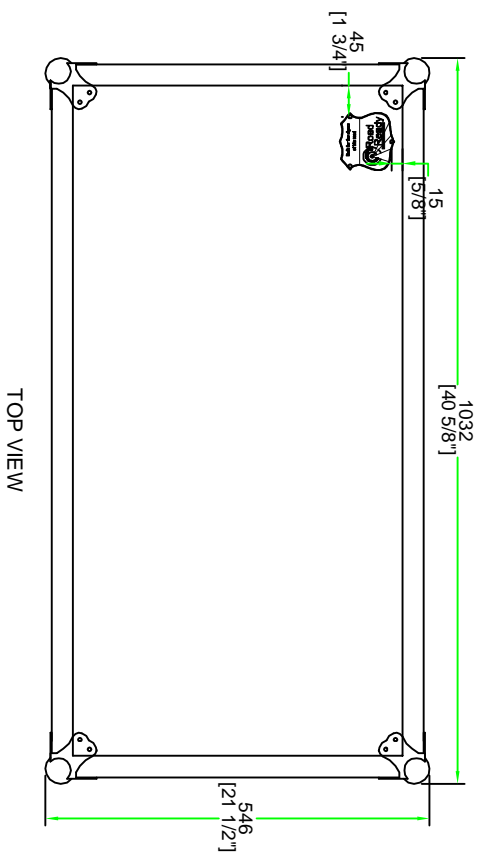
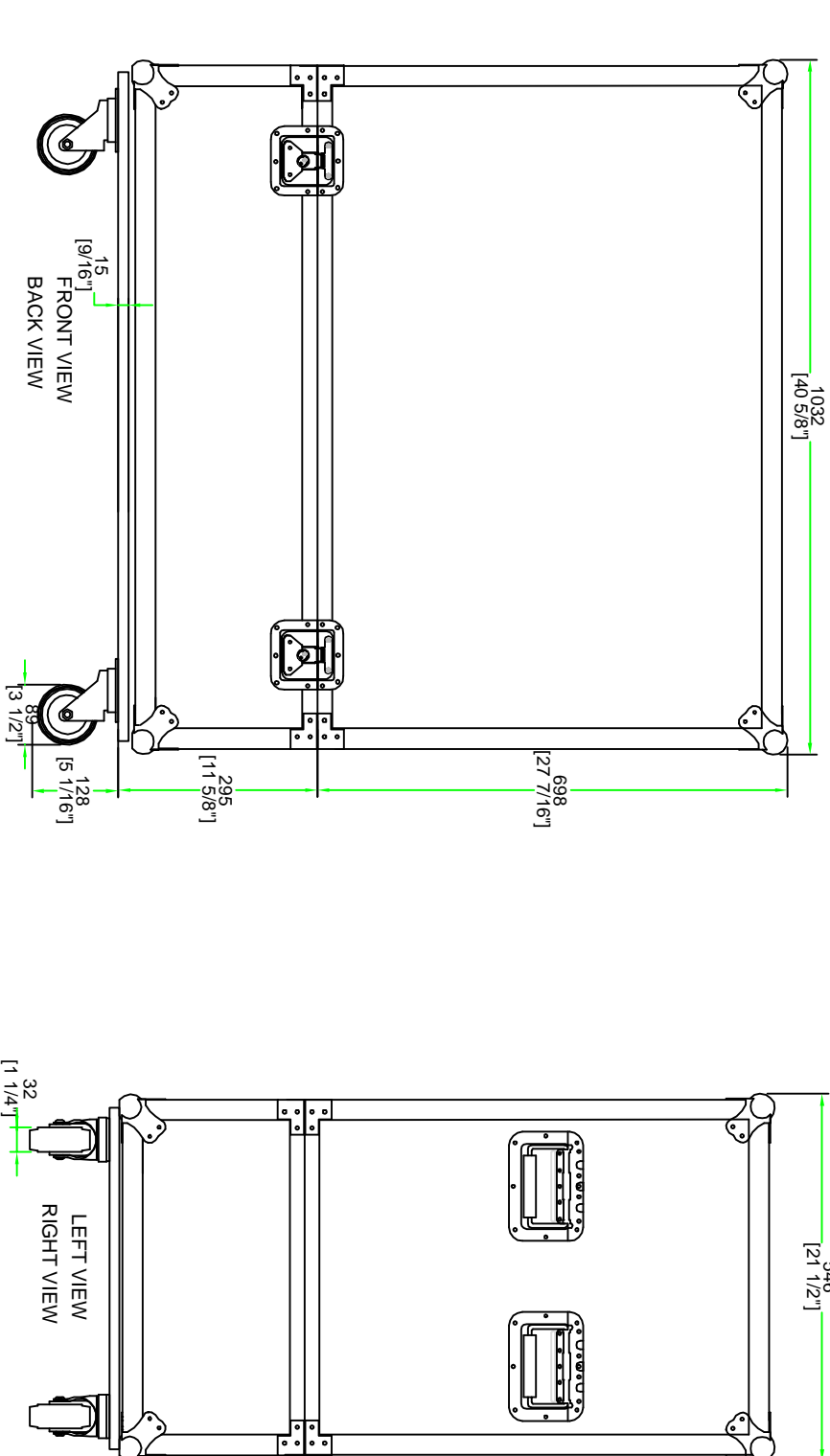


RR2HD1531C



**Build for the riggers
of the world**

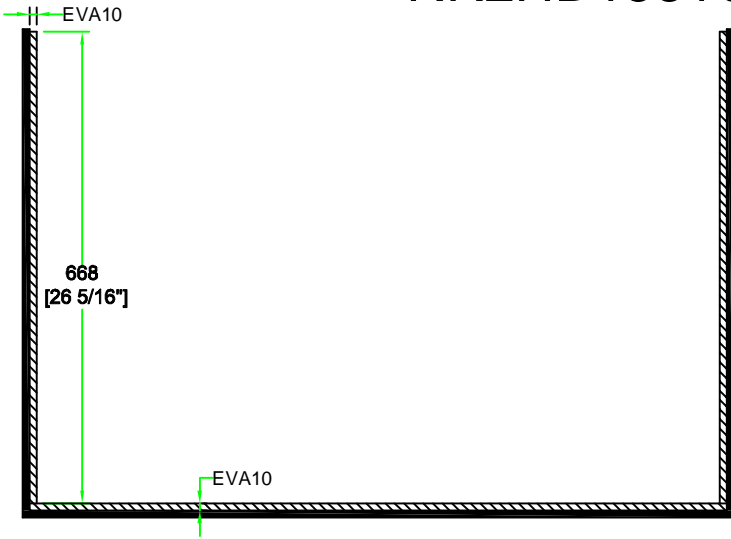
SKU:RR2HD1531C BY: **ROAD READY CASES**

UPC : NA

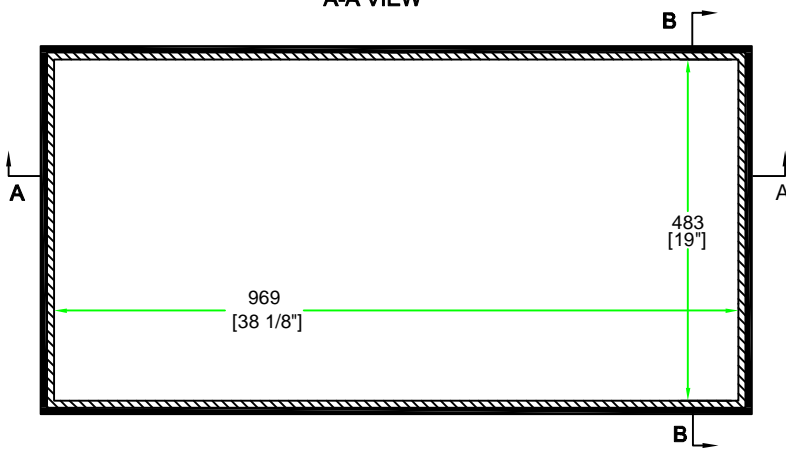
APPROVAL SIGNATURE : _____ DATE :

DRAWING DATE : 09 / 06 / 2010 SCALE : 1:8 DRAWING NUMBER : 1/2 REVISION : NA

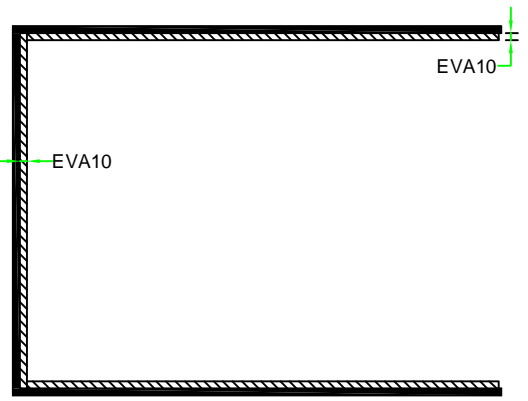
RR2HD1531C



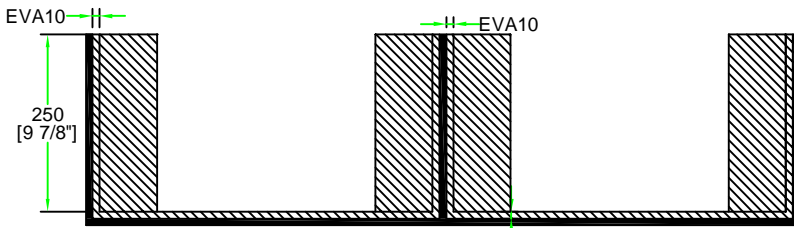
A-A VIEW



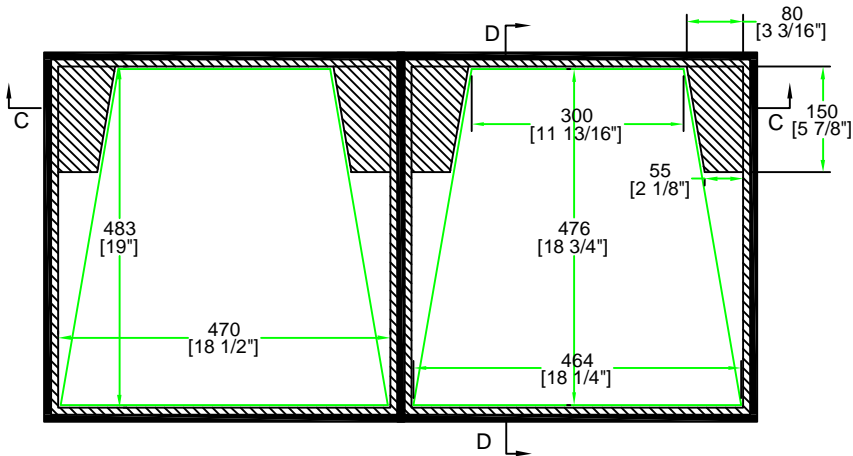
TOP VIEW OF COVER



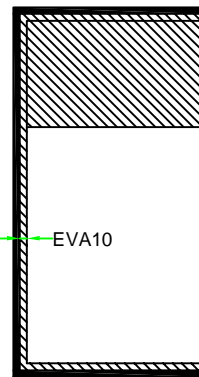
B-B VIEW



C-C VIEW



TOP VIEW OF BASE



D-D VIEW



SKU:RR2HD1531C	BY:	ROAD READY CASES	
UPC: NA	APPROVAL SIGNATURE :	DATE :	
DRAWING DATE :	SCALE :	DRAWING NUMBER :	REVISION :
09 / 06 / 2010	1:8	2/2	NA