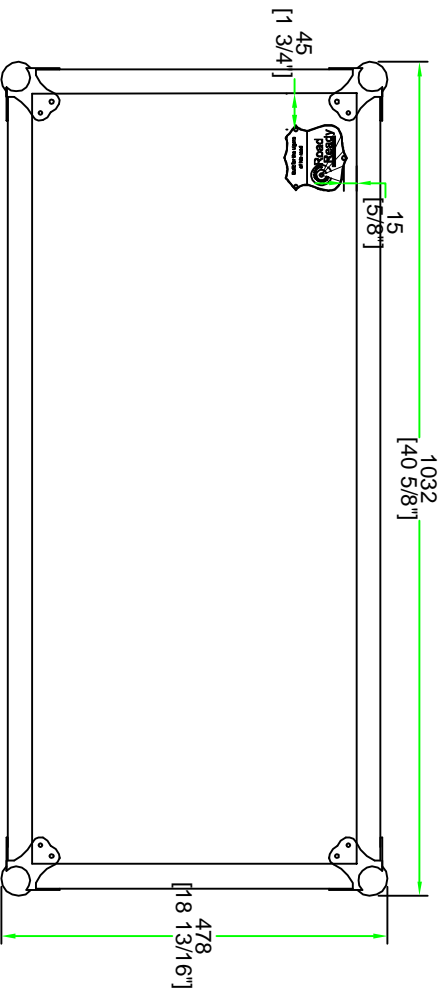
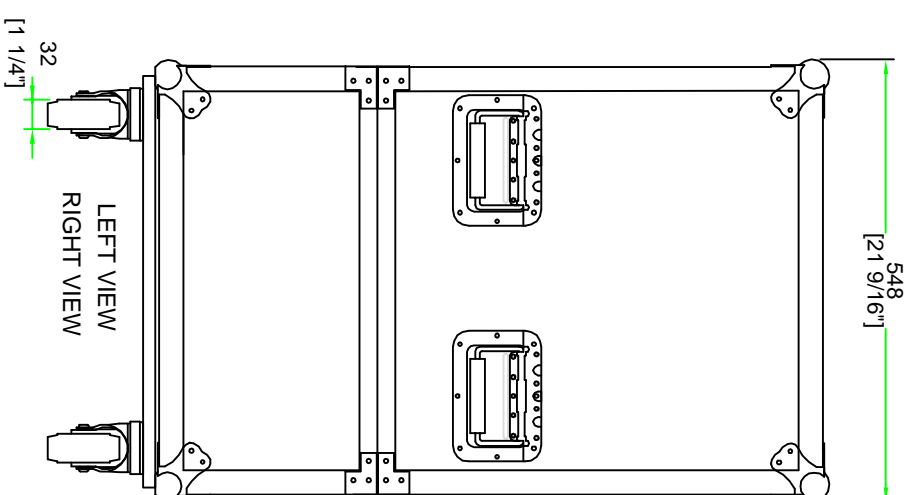
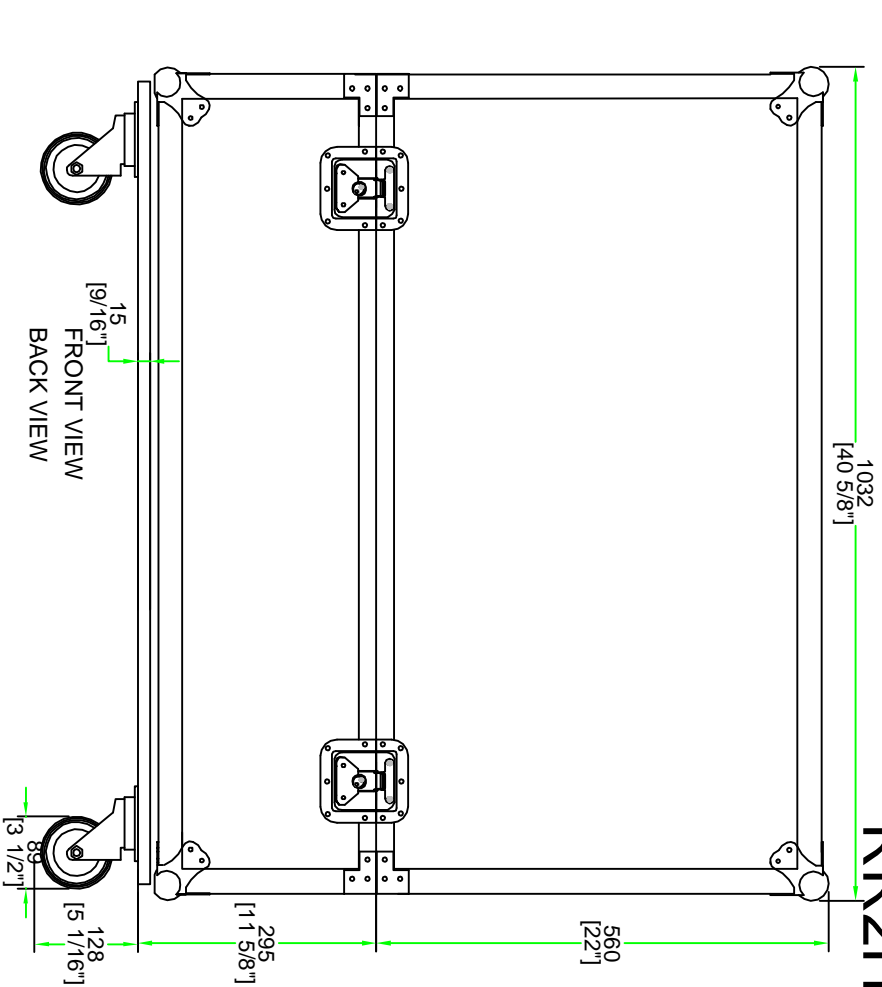
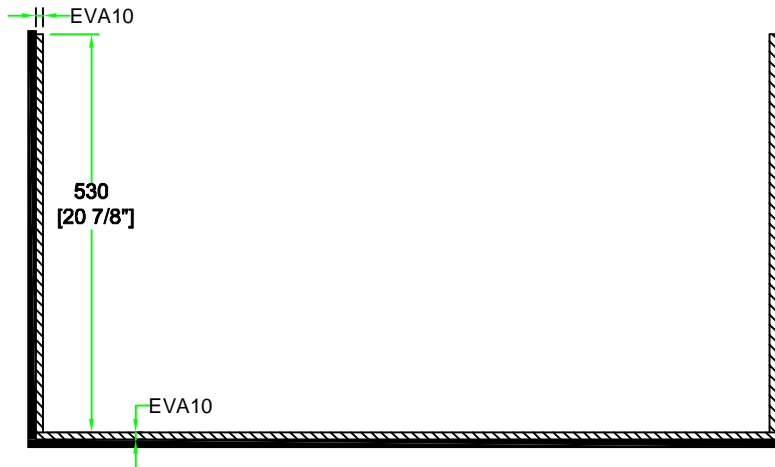


RR2HD1521C

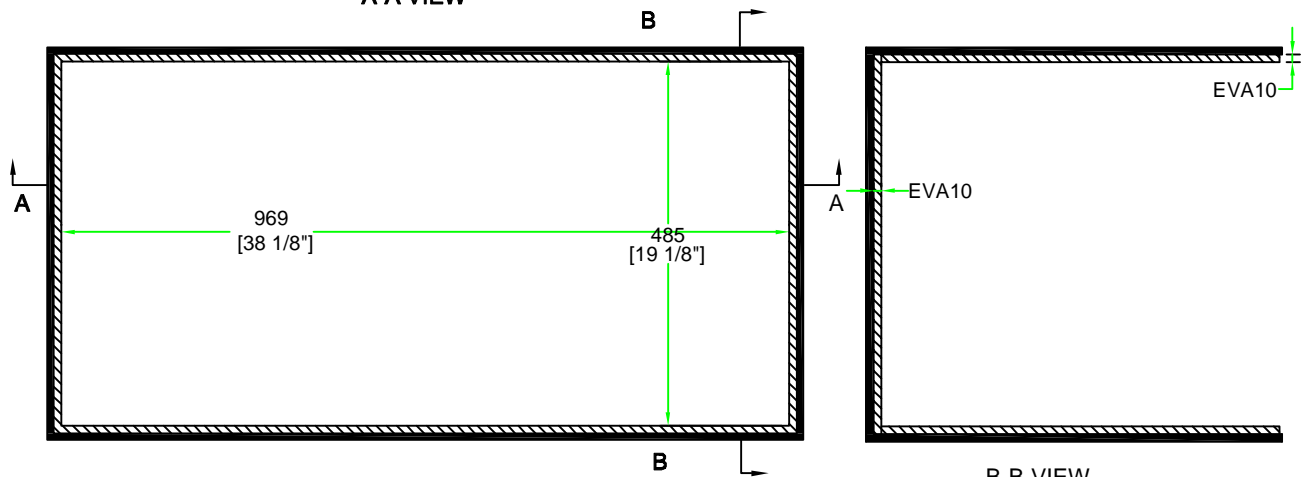


SKU:RR2HD1521C	BY:	ROAD READY CASES
UPC : NA		
APPROVAL SIGNATURE :	DATE :	
DRAWING DATE : 09 / 13 / 2010	SCALE : 1:9	DRAWING NUMBER : 1/2
		REVISION : NA

RR2HD1521C

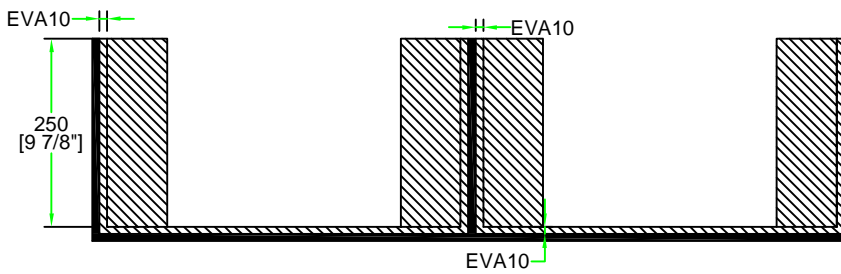


A-A VIEW

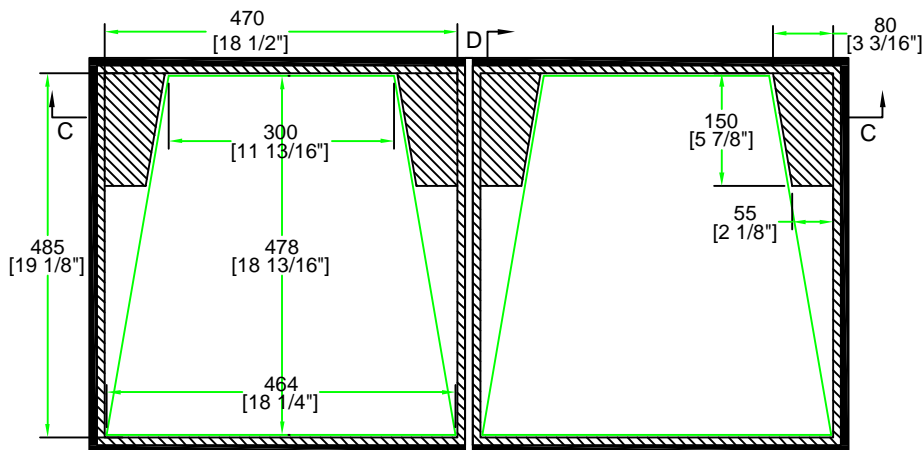


TOP VIEW OF COVER

B-B VIEW



C-C VIEW



TOP VIEW OF BASE

D-D VIEW

	SKU:RR2HD1521C	BY:
	UPC: NA	ROAD READY CASES
APPROVAL SIGNATURE: _____		DATE: _____
DRAWING DATE:	SCALE:	DRAWING NUMBER :
09 / 13 / 2010	1:9	2/2
REVISION:		NA