

Service manual

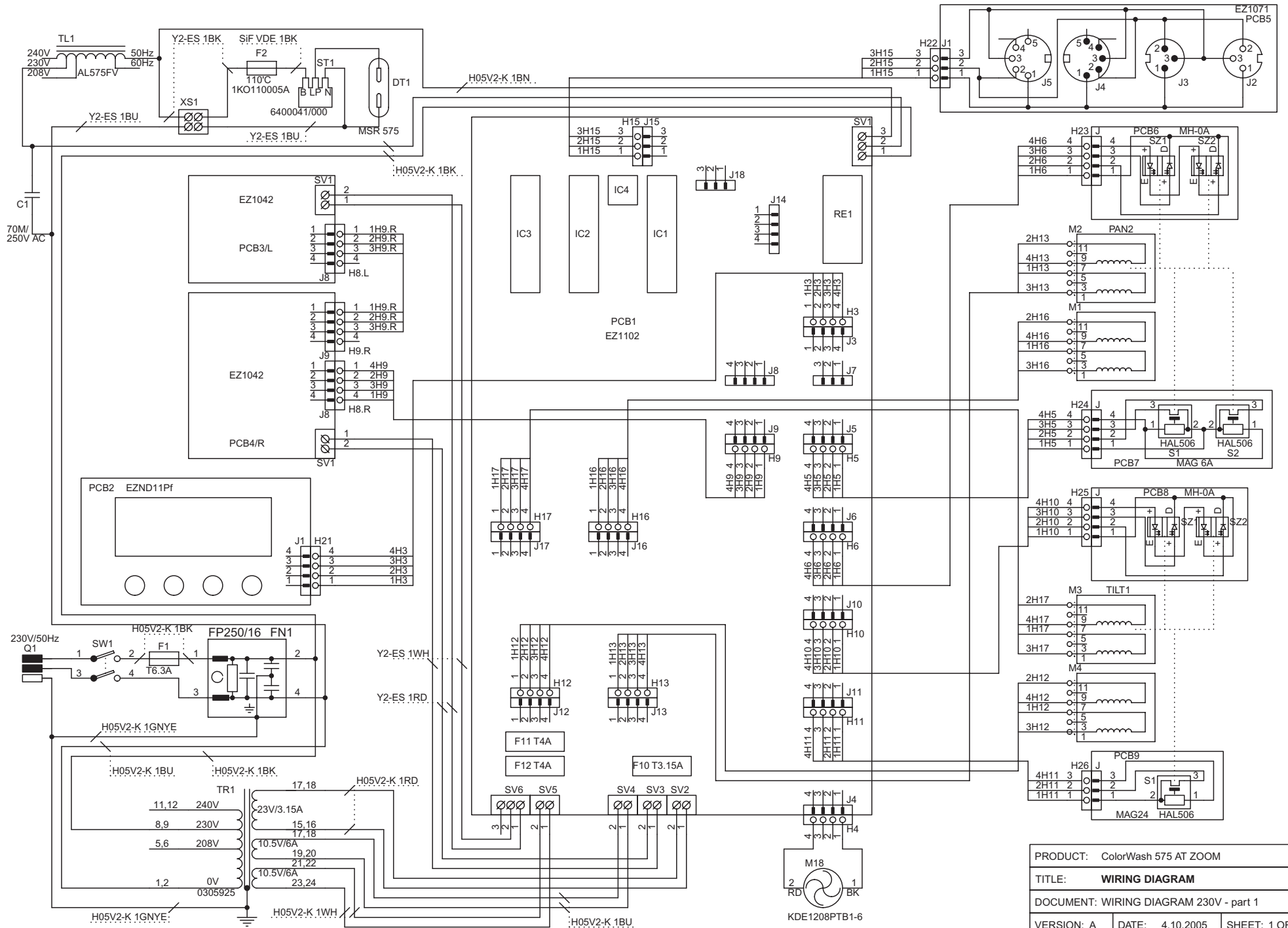
ColorWash 575 AT ZOOM

Exploded Diagrams
Circuit Diagrams
Wiring Diagrams
Order Numbers

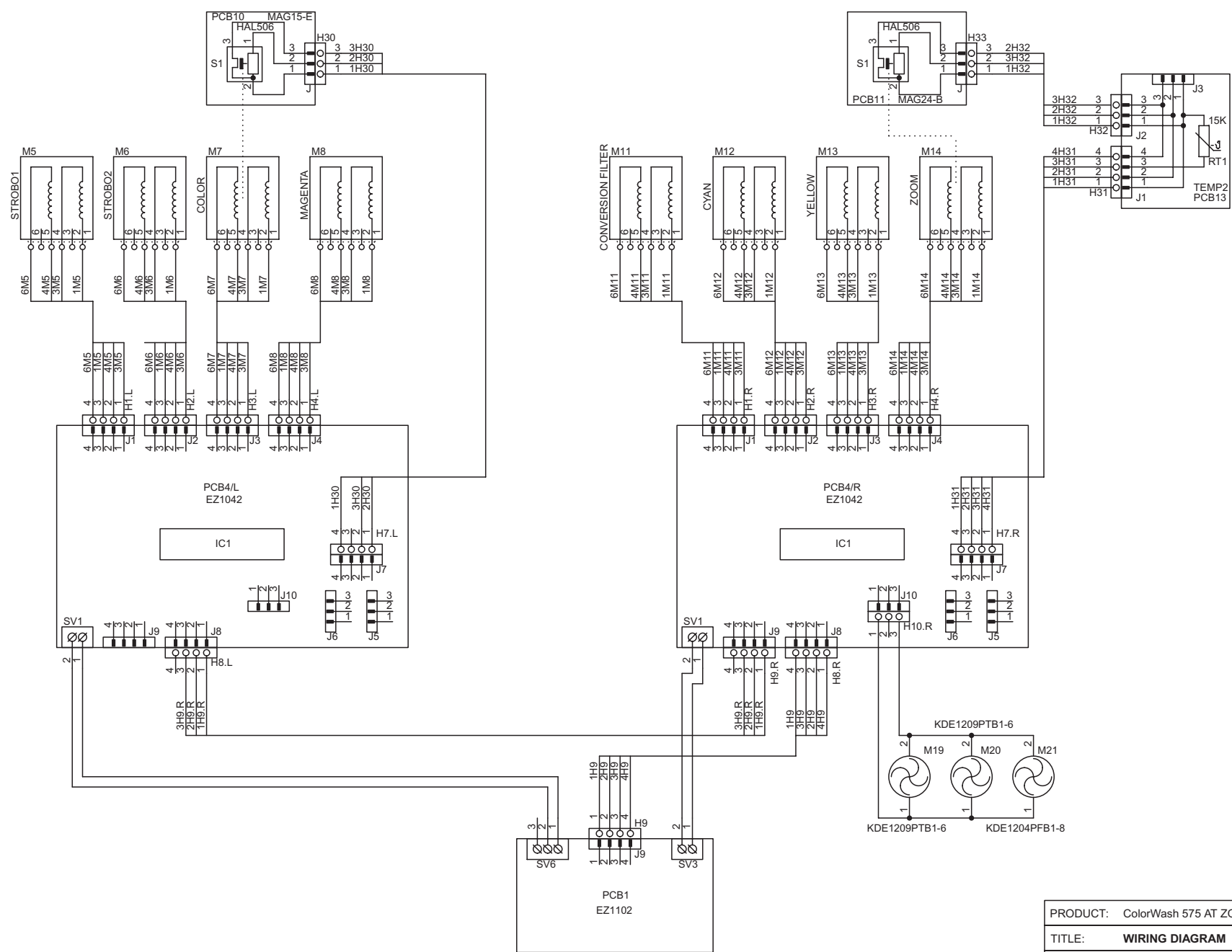


 **ROBE**
show lighting

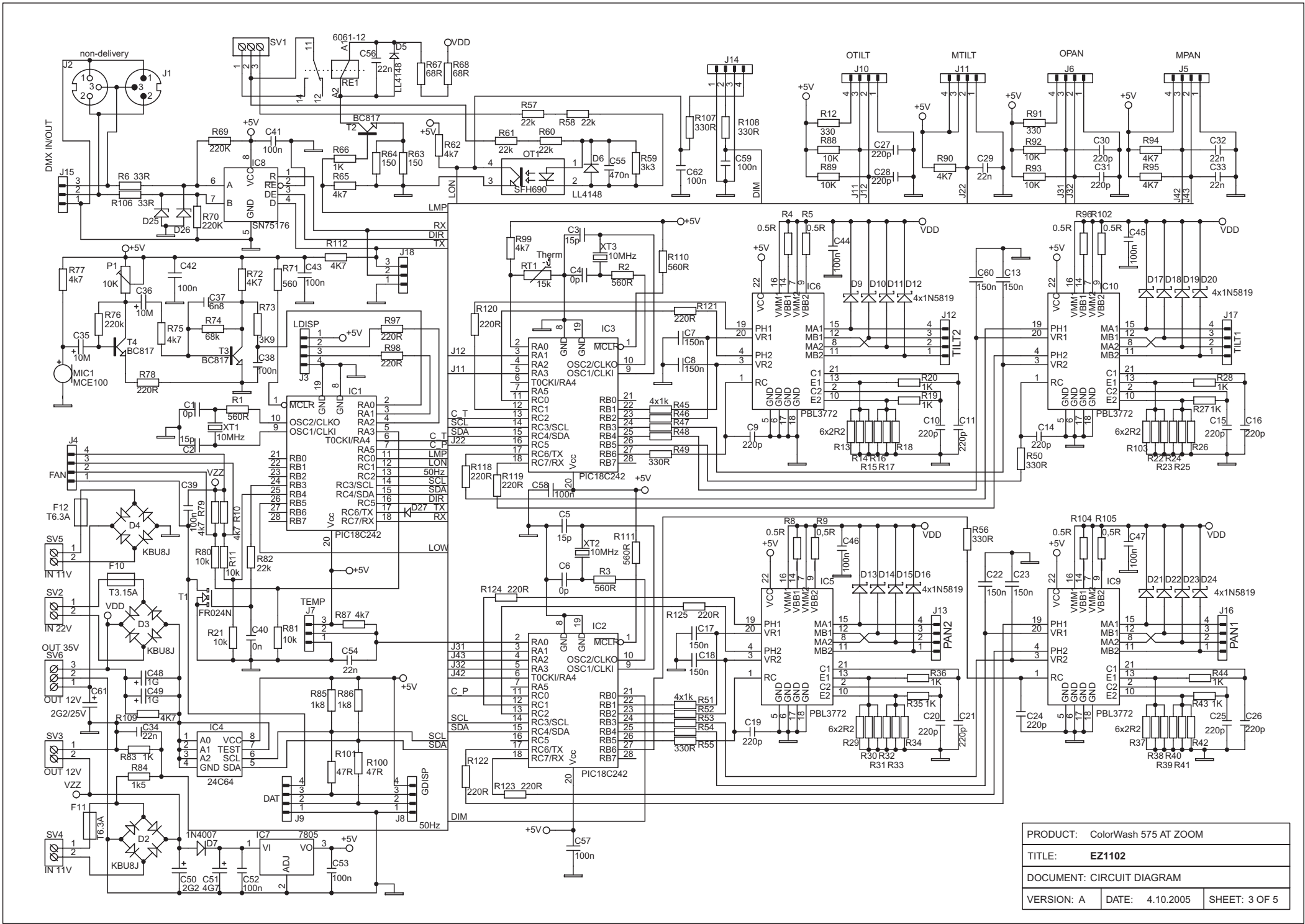
Version: A



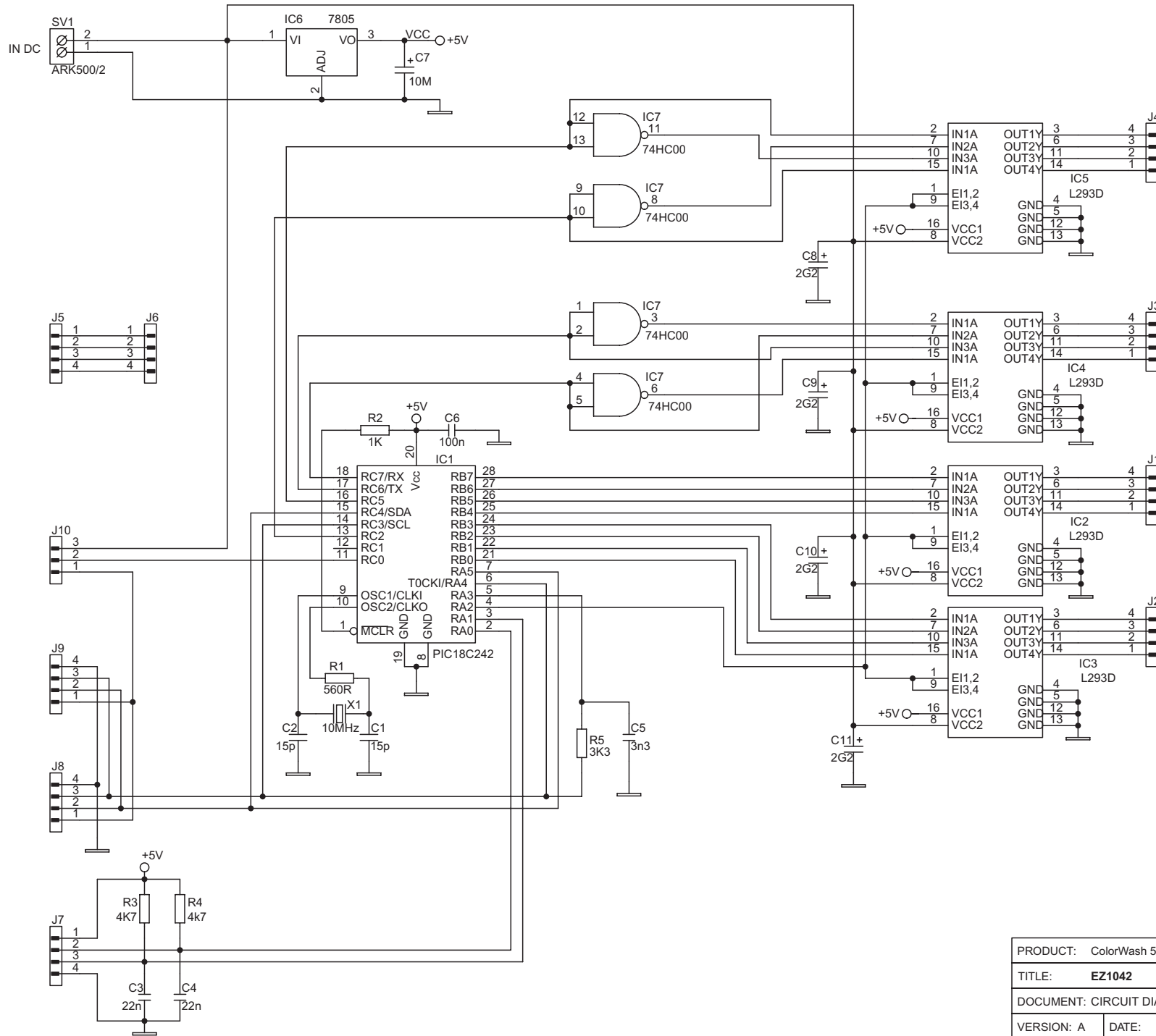
PRODUCT: ColorWash 575 AT ZOOM		
TITLE: WIRING DIAGRAM		
DOCUMENT: WIRING DIAGRAM 230V - part 1		
VERSION: A	DATE: 4.10.2005	SHEET: 1 OF 5



PRODUCT: ColorWash 575 AT ZOOM		
TITLE: WIRING DIAGRAM		
DOCUMENT: WIRING DIAGRAM 230V - part 2		
VERSION: A	DATE: 4.10.2005	SHEET: 2 OF 5

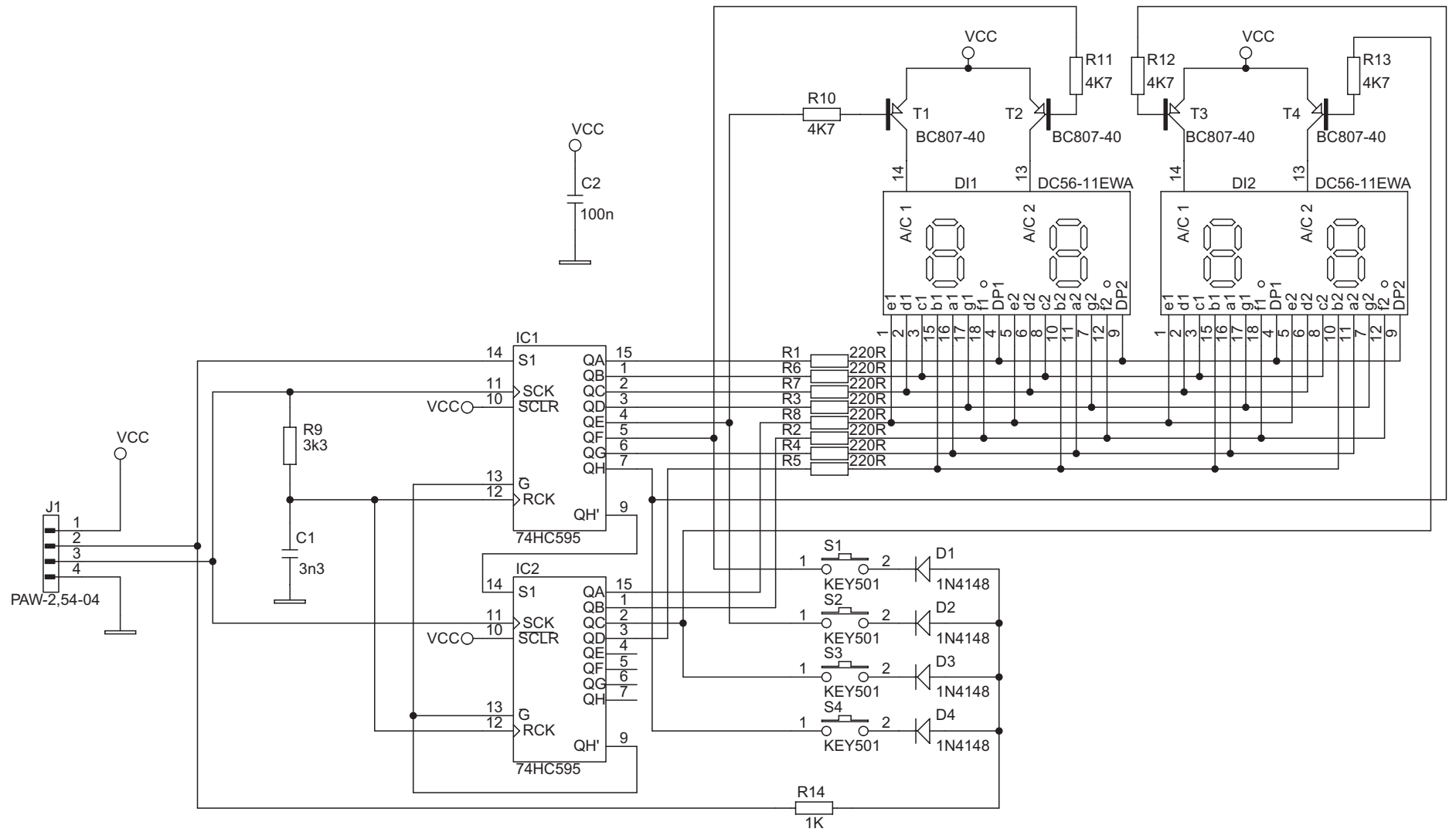


PRODUCT: ColorWash 575 AT ZOOM		
TITLE: E21102		
DOCUMENT: CIRCUIT DIAGRAM		
VERSION: A	DATE: 4.10.2005	SHEET: 3 OF 5

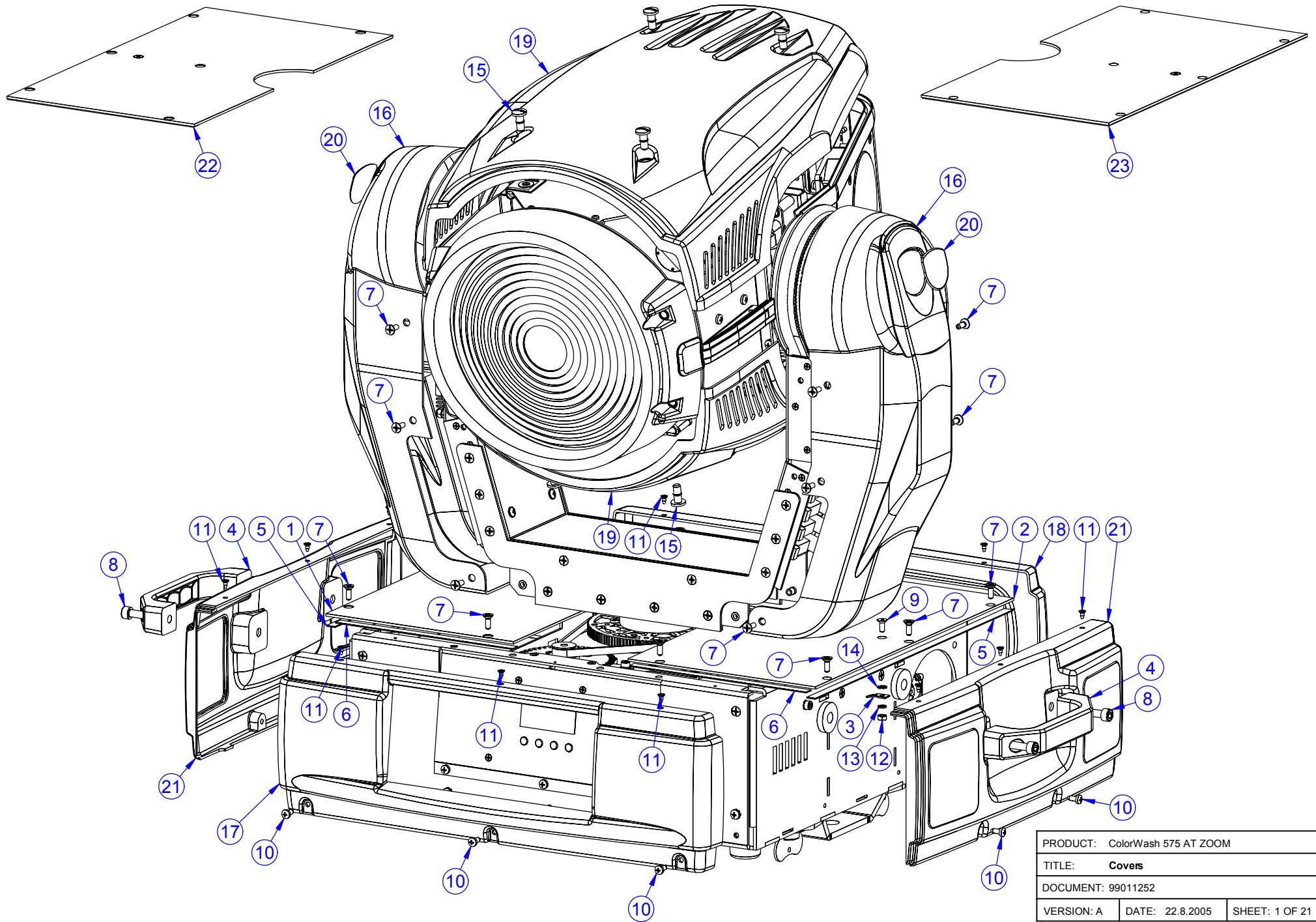


PRODUCT: ColorWash 575 AT ZOOM		
TITLE: EZ1042		
DOCUMENT: CIRCUIT DIAGRAM		
VERSION: A	DATE: 4.10.2005	SHEET: 4 OF 5

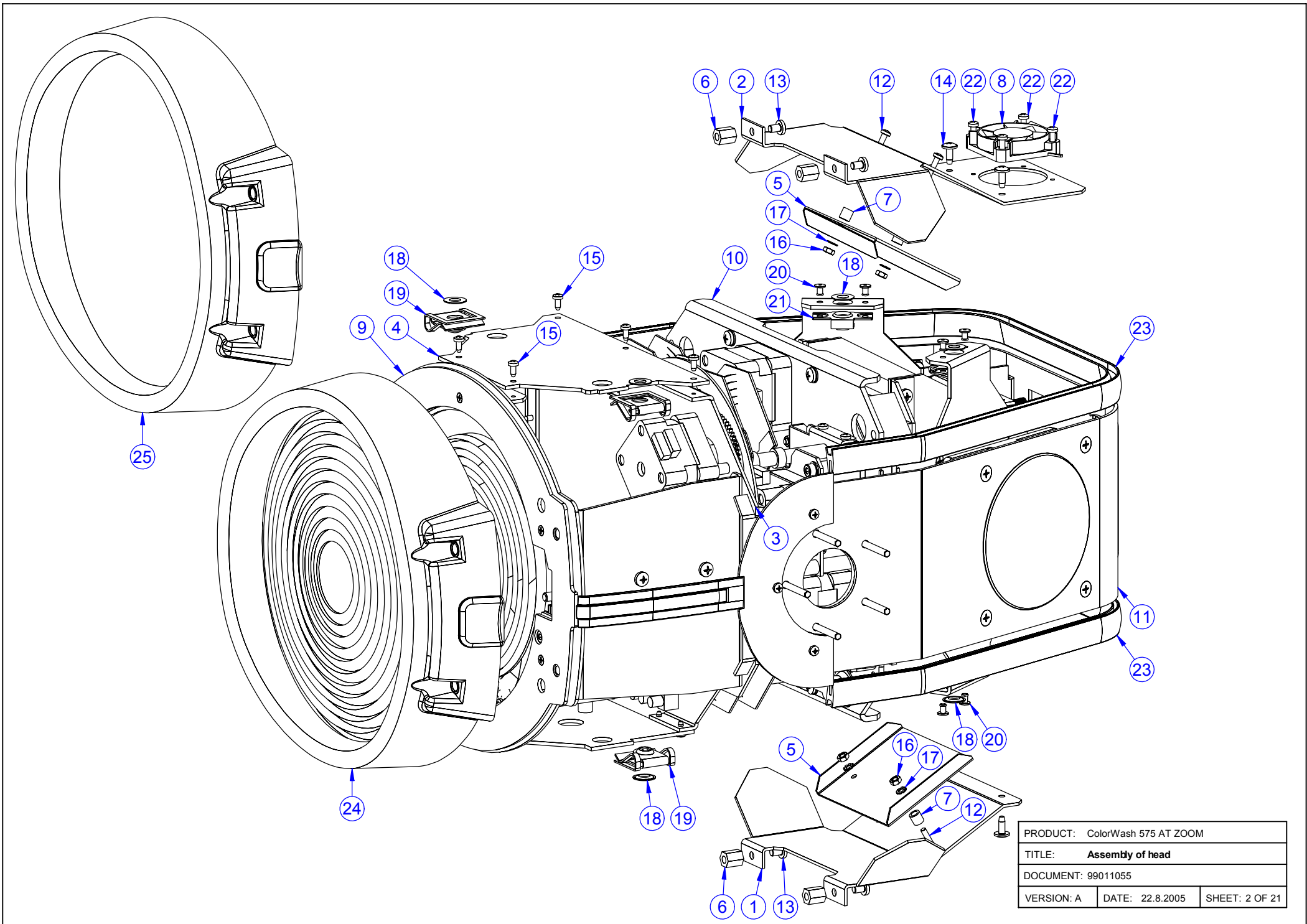
- 1 - Vcc +5V
- 2 - DATA
- 3 - CLOCK
- 4 - GND



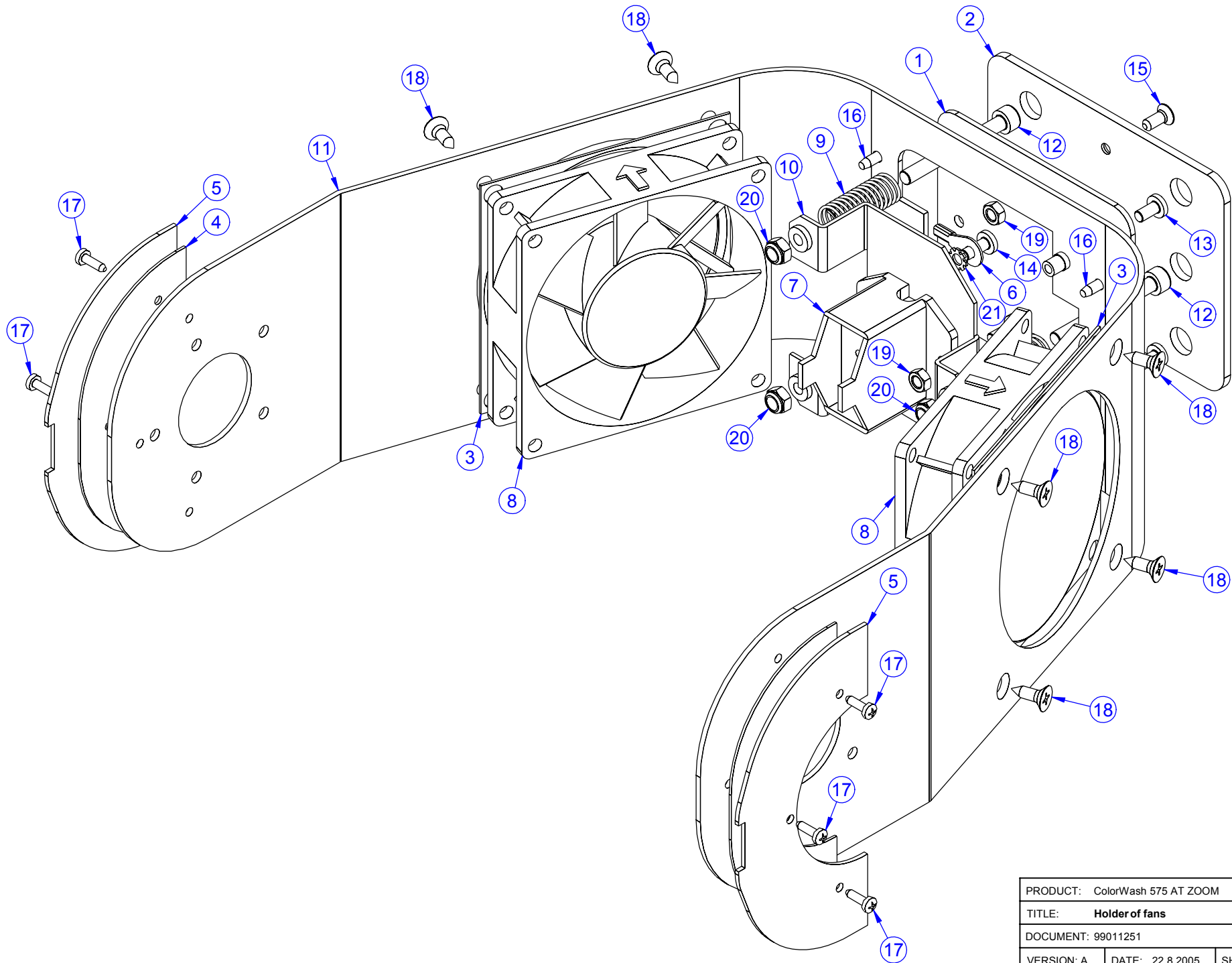
PRODUCT: ColorWash 575 AT ZOOM		
TITLE: EZND11B KEY		
DOCUMENT: CIRCUIT DIAGRAM		
VERSION: A	DATE: 4.10.2005	SHEET: 5 OF 5



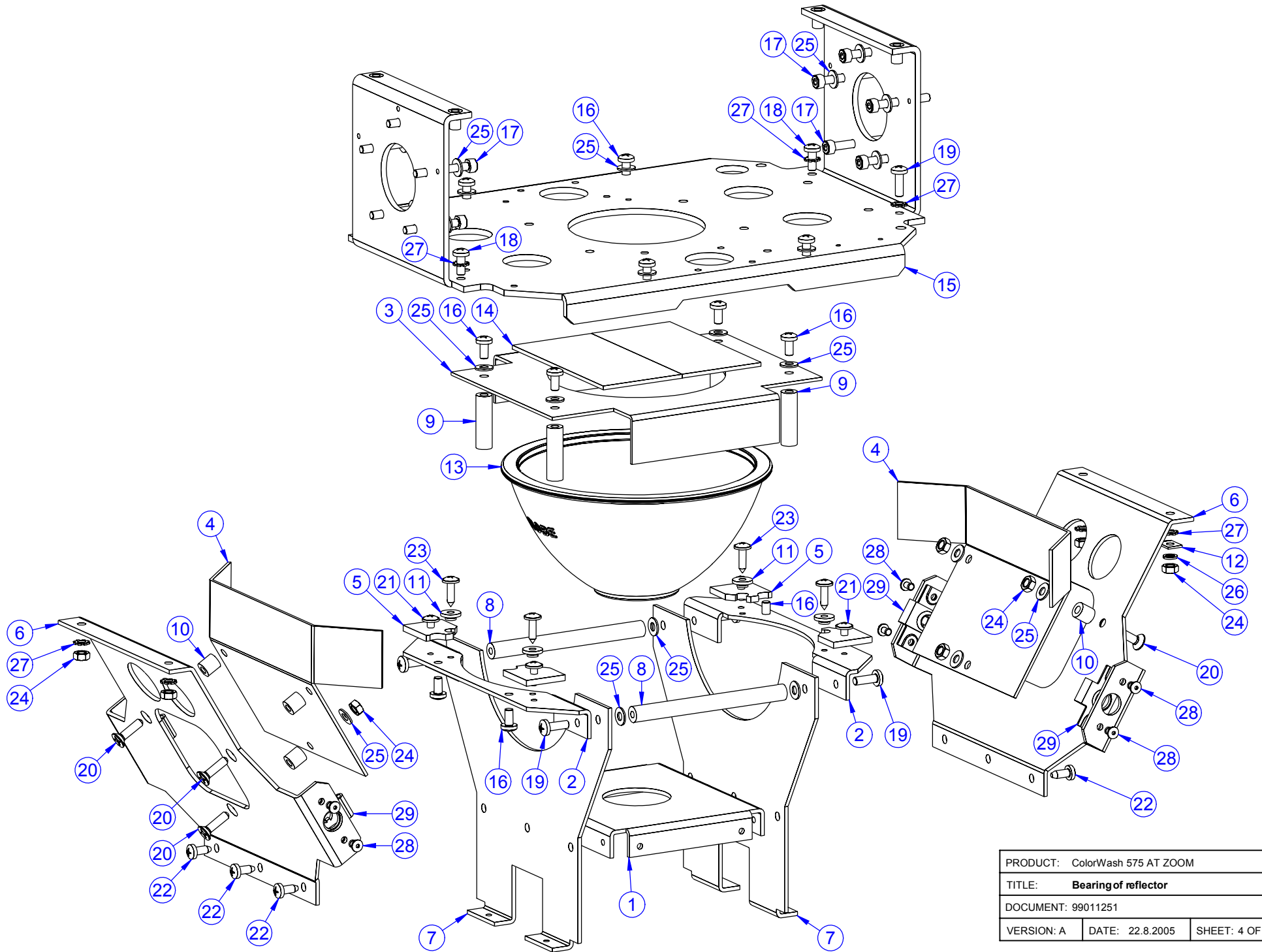
PRODUCT: ColorWash 575 AT ZOOM		
TITLE: Covers		
DOCUMENT: 99011252		
VERSION: A	DATE: 22.8.2005	SHEET: 1 OF 21



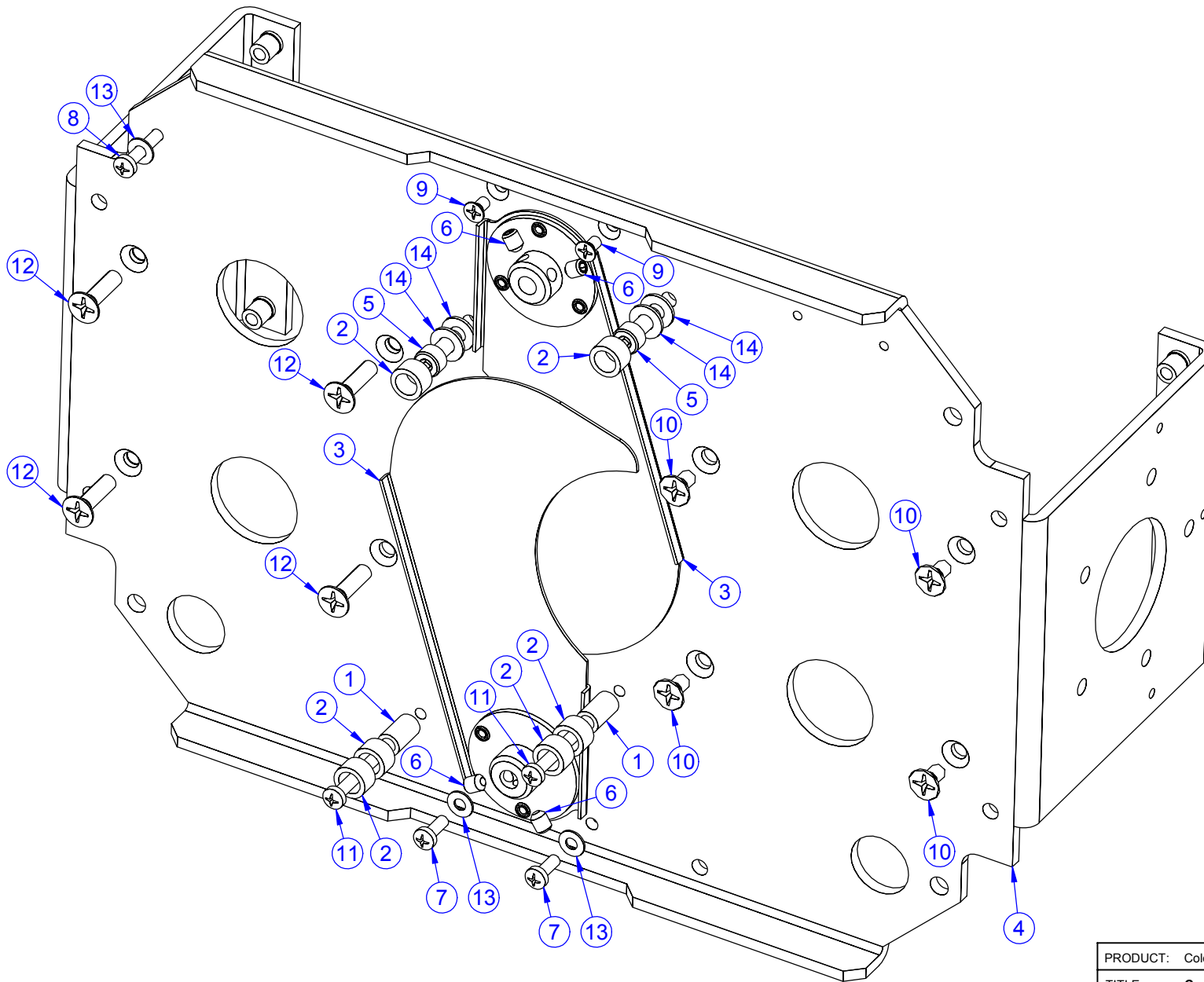
PRODUCT: ColorWash 575 AT ZOOM		
TITLE: Assembly of head		
DOCUMENT: 99011055		
VERSION: A	DATE: 22.8.2005	SHEET: 2 OF 21



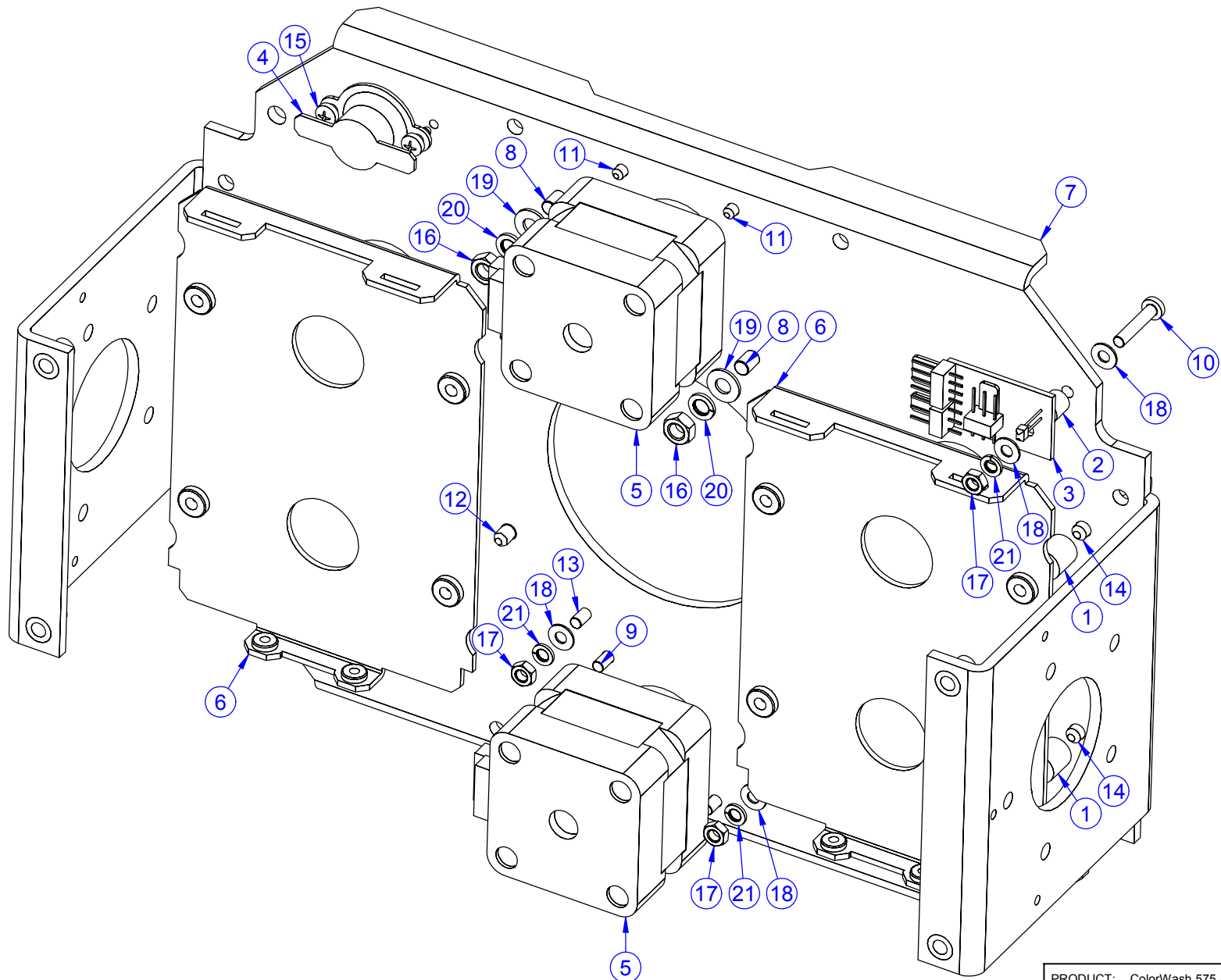
PRODUCT: ColorWash 575 AT ZOOM		
TITLE: Holder of fans		
DOCUMENT: 99011251		
VERSION: A	DATE: 22.8.2005	SHEET: 3 OF 21



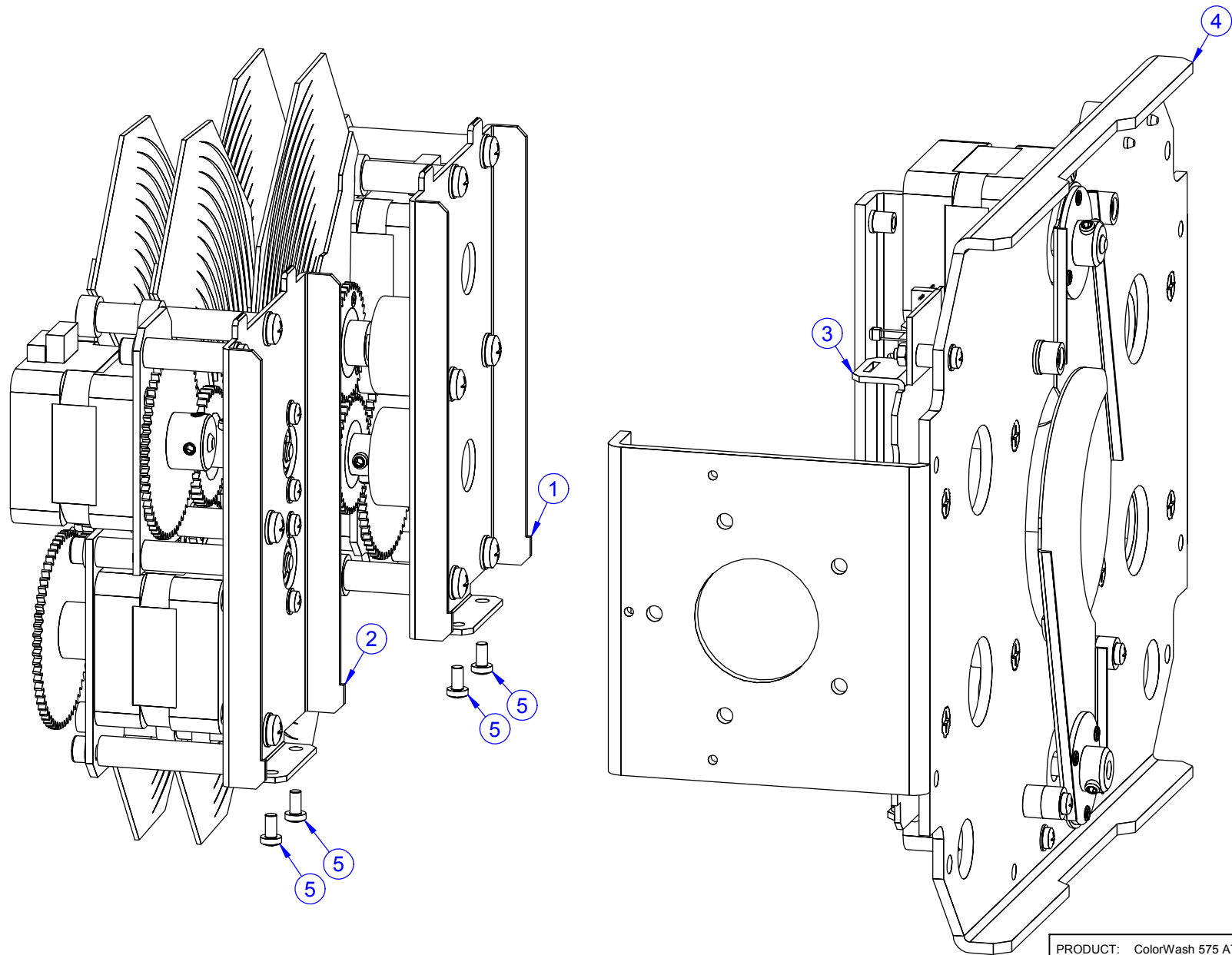
PRODUCT: ColorWash 575 AT ZOOM		
TITLE: Bearing of reflector		
DOCUMENT: 99011251		
VERSION: A	DATE: 22.8.2005	SHEET: 4 OF 21



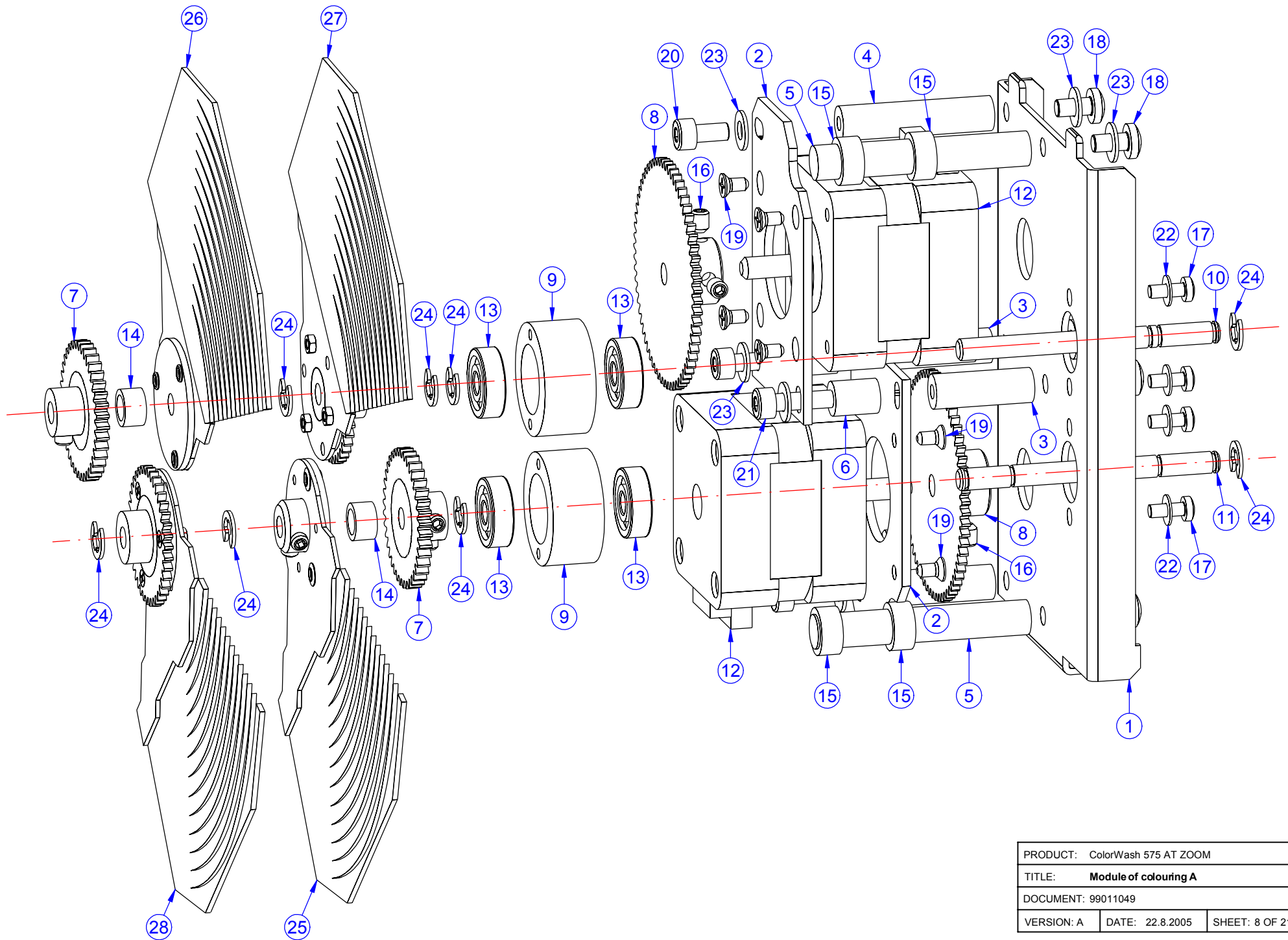
PRODUCT: ColorWash 575 AT ZOOM		
TITLE: Central module part 1		
DOCUMENT: 99011251		
VERSION: A	DATE: 22.8.2005	SHEET: 5 OF 21



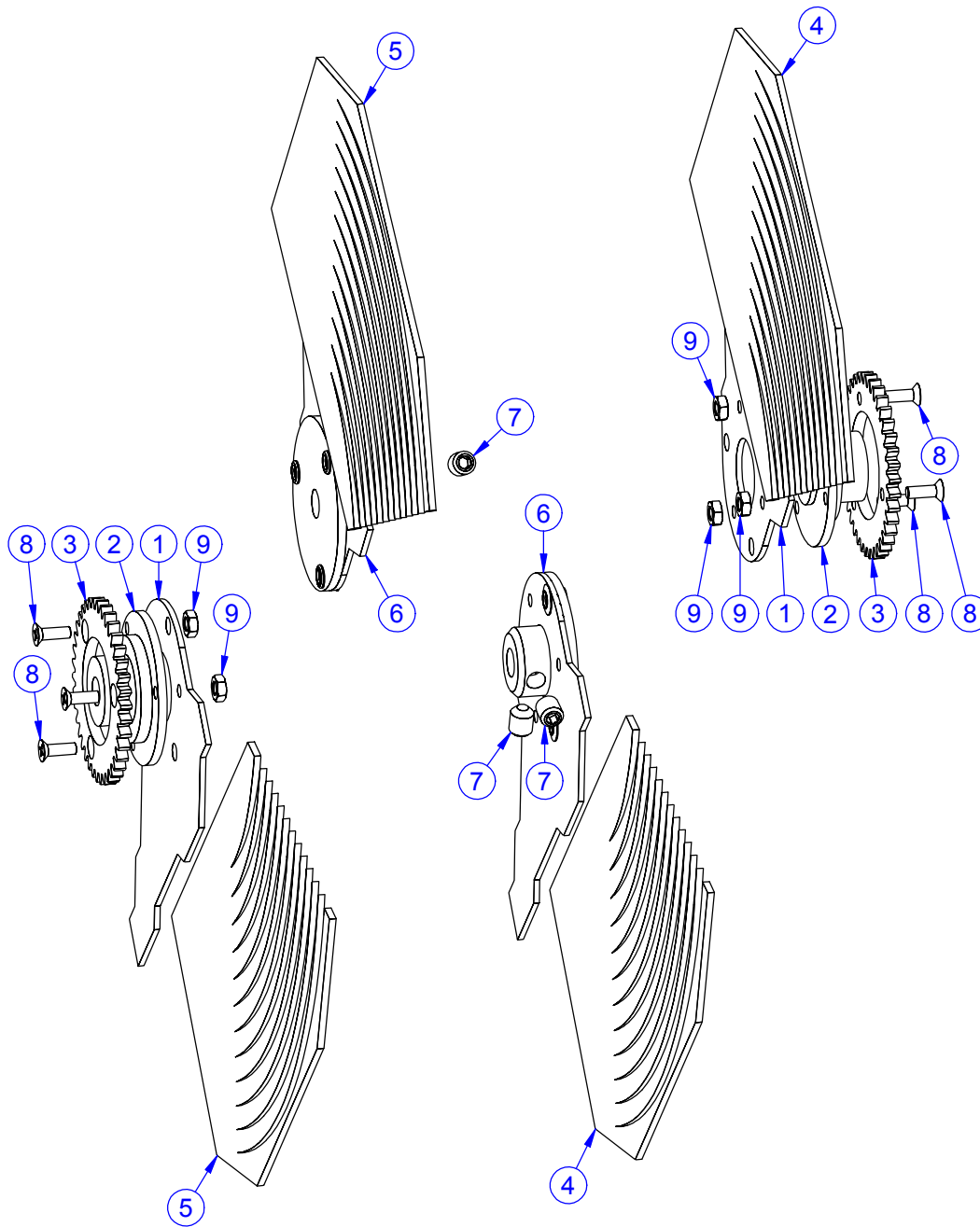
PRODUCT: ColorWash 575 AT ZOOM		
TITLE: Central module part 2		
DOCUMENT: 99011251		
VERSION: A	DATE: 22.8.2005	SHEET: 6 OF 21



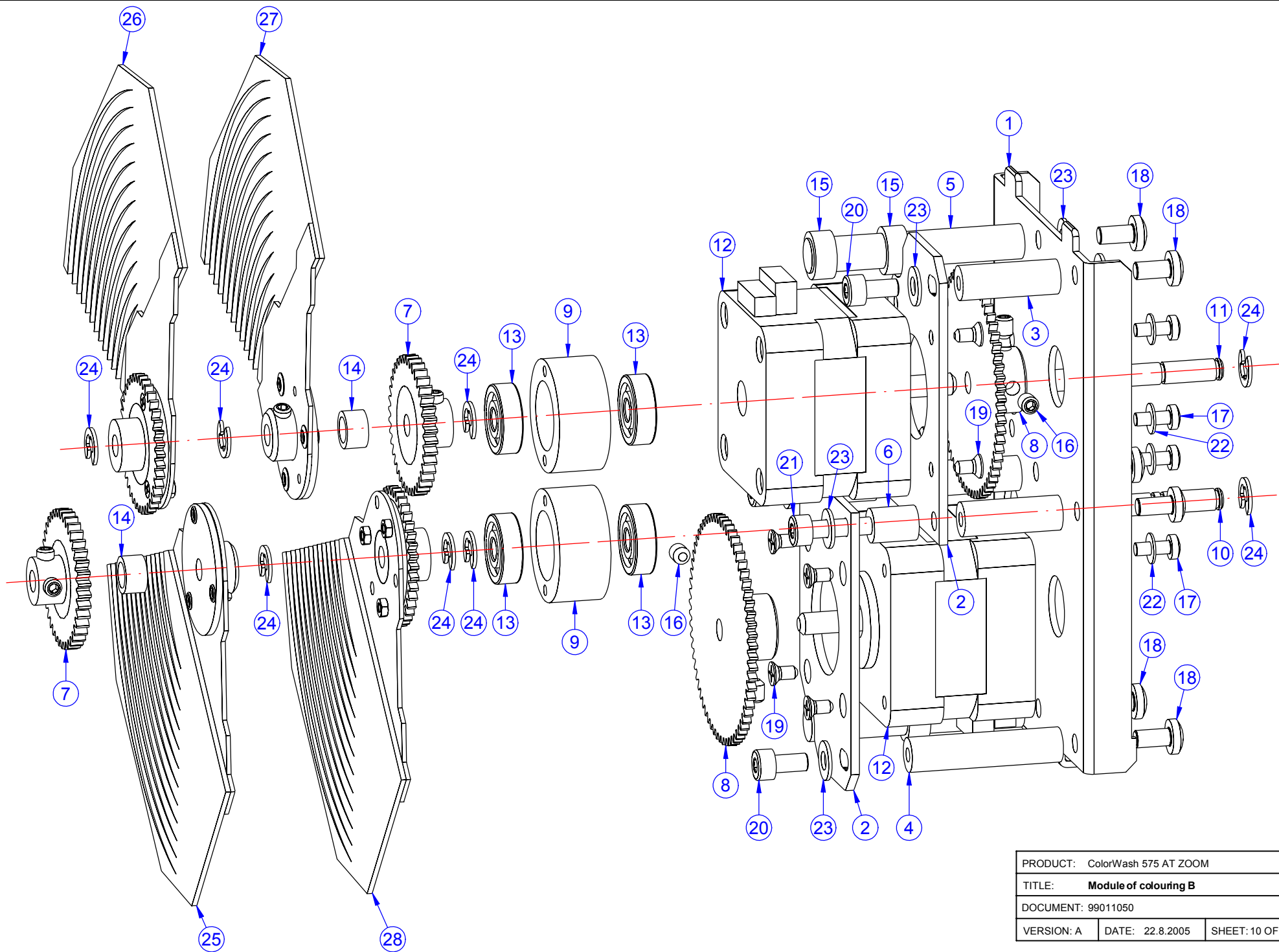
PRODUCT: ColorWash 575 AT ZOOM		
TITLE: Holder of colouring		
DOCUMENT: 99011251		
VERSION: A	DATE: 22.8.2005	SHEET: 7 OF 21



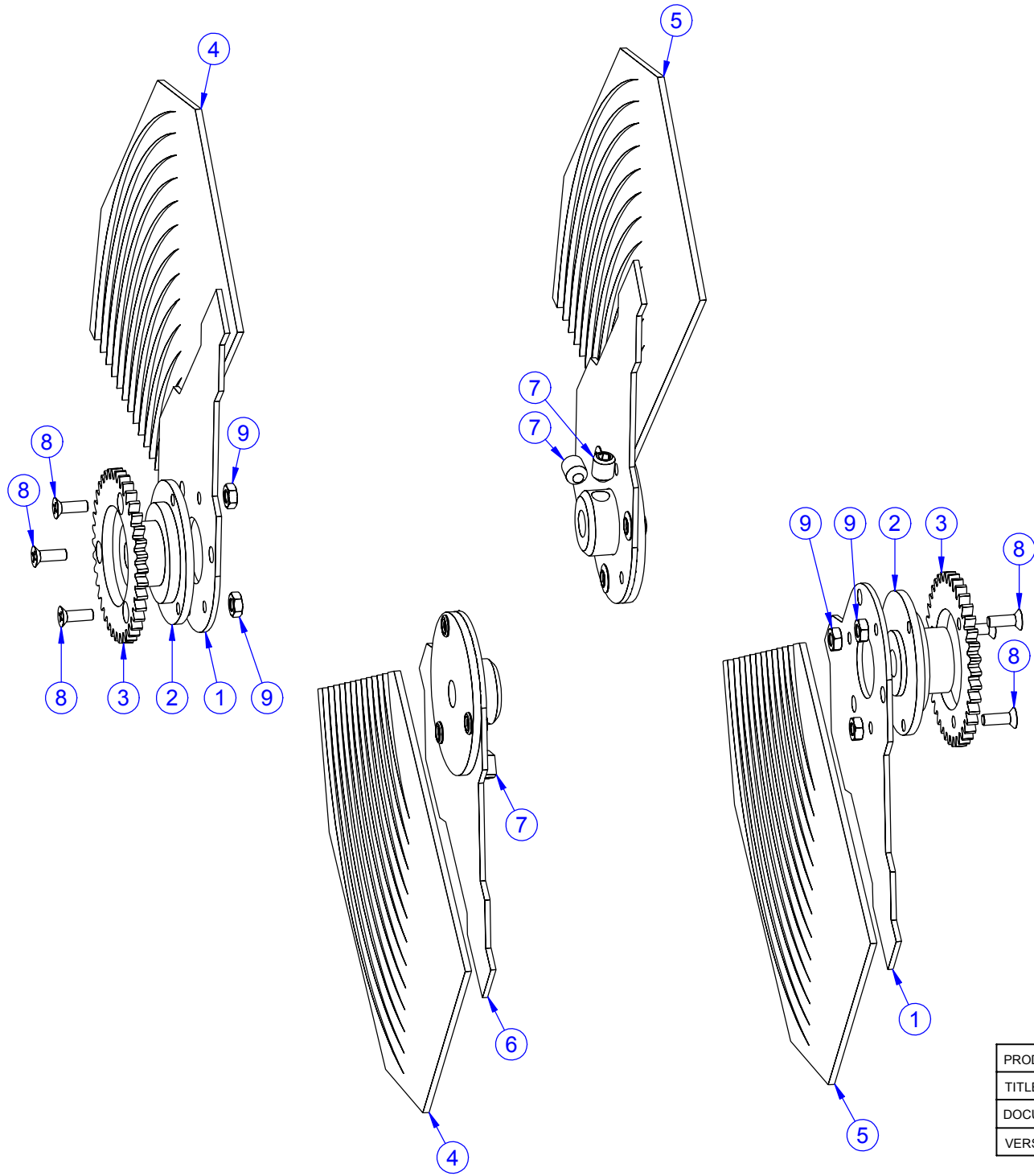
PRODUCT: ColorWash 575 AT ZOOM		
TITLE: Module of colouring A		
DOCUMENT: 99011049		
VERSION: A	DATE: 22.8.2005	SHEET: 8 OF 21



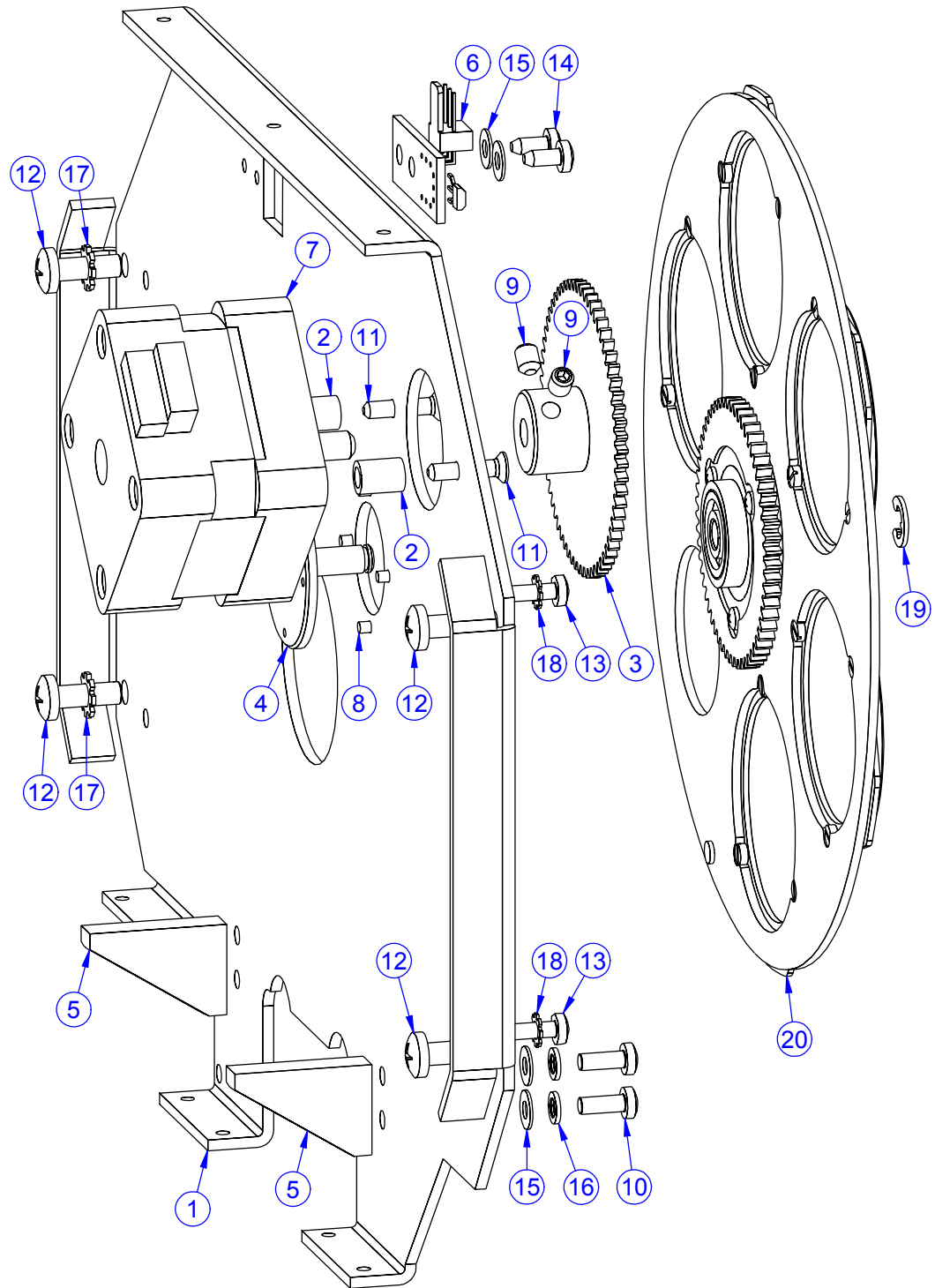
PRODUCT: ColorWash 575 AT ZOOM		
TITLE: Lamele colouring A		
DOCUMENT: 99011049		
VERSION: A	DATE: 22.8.2005	SHEET: 9 OF 21



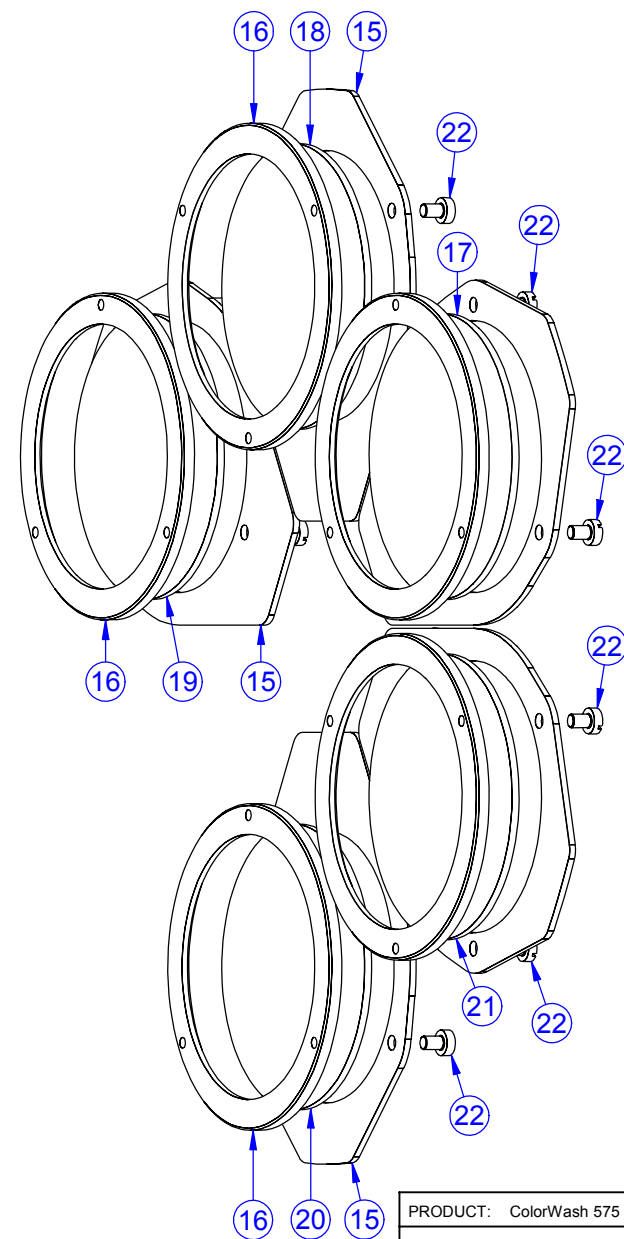
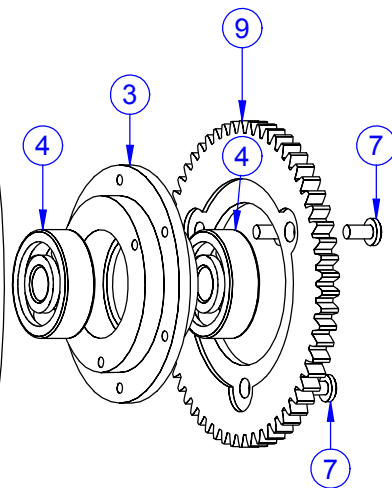
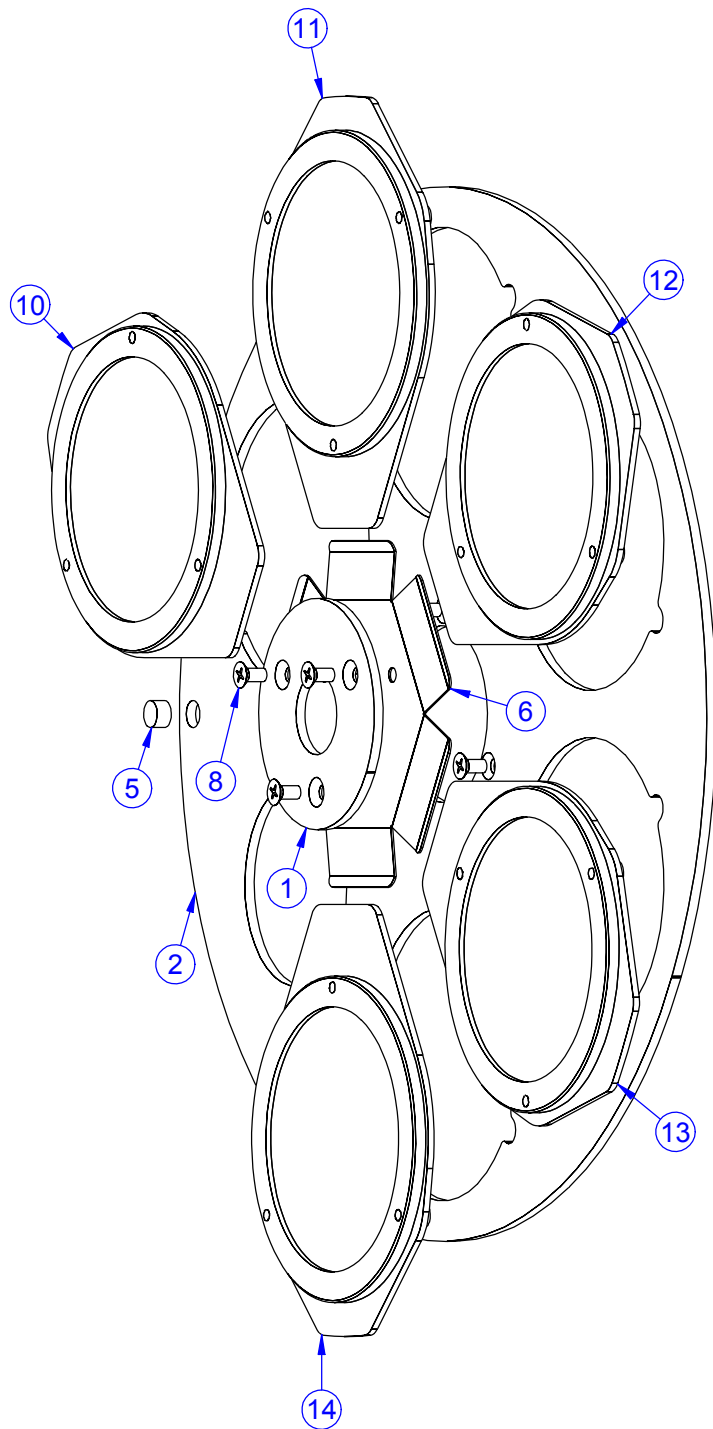
PRODUCT: ColorWash 575 AT ZOOM		
TITLE: Module of colouring B		
DOCUMENT: 99011050		
VERSION: A	DATE: 22.8.2005	SHEET: 10 OF 21



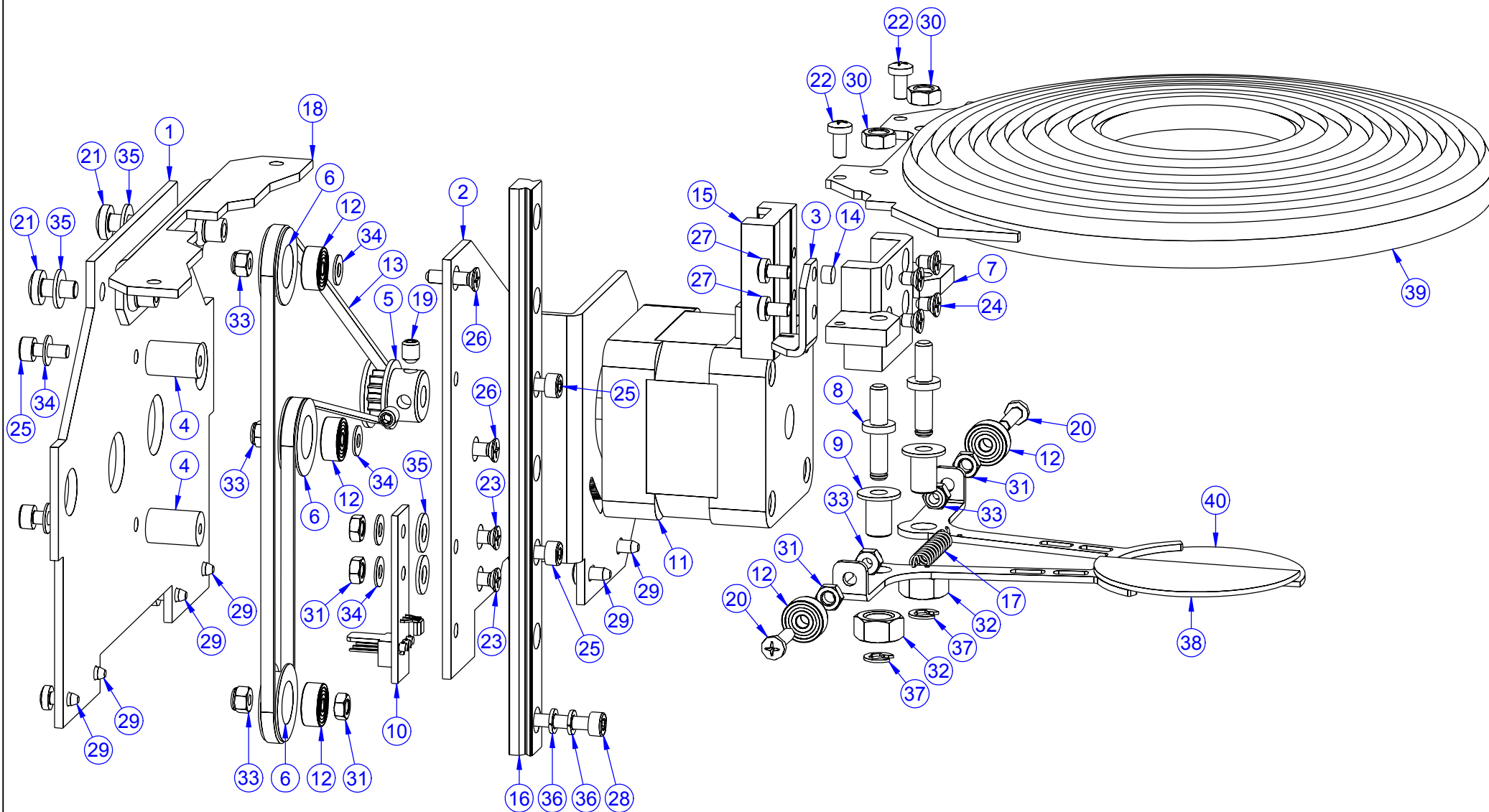
PRODUCT: ColorWash 575 AT ZOOM		
TITLE: Lamele colouring B		
DOCUMENT: 99011050		
VERSION: A	DATE: 22.8.2005	SHEET: 11 OF 21



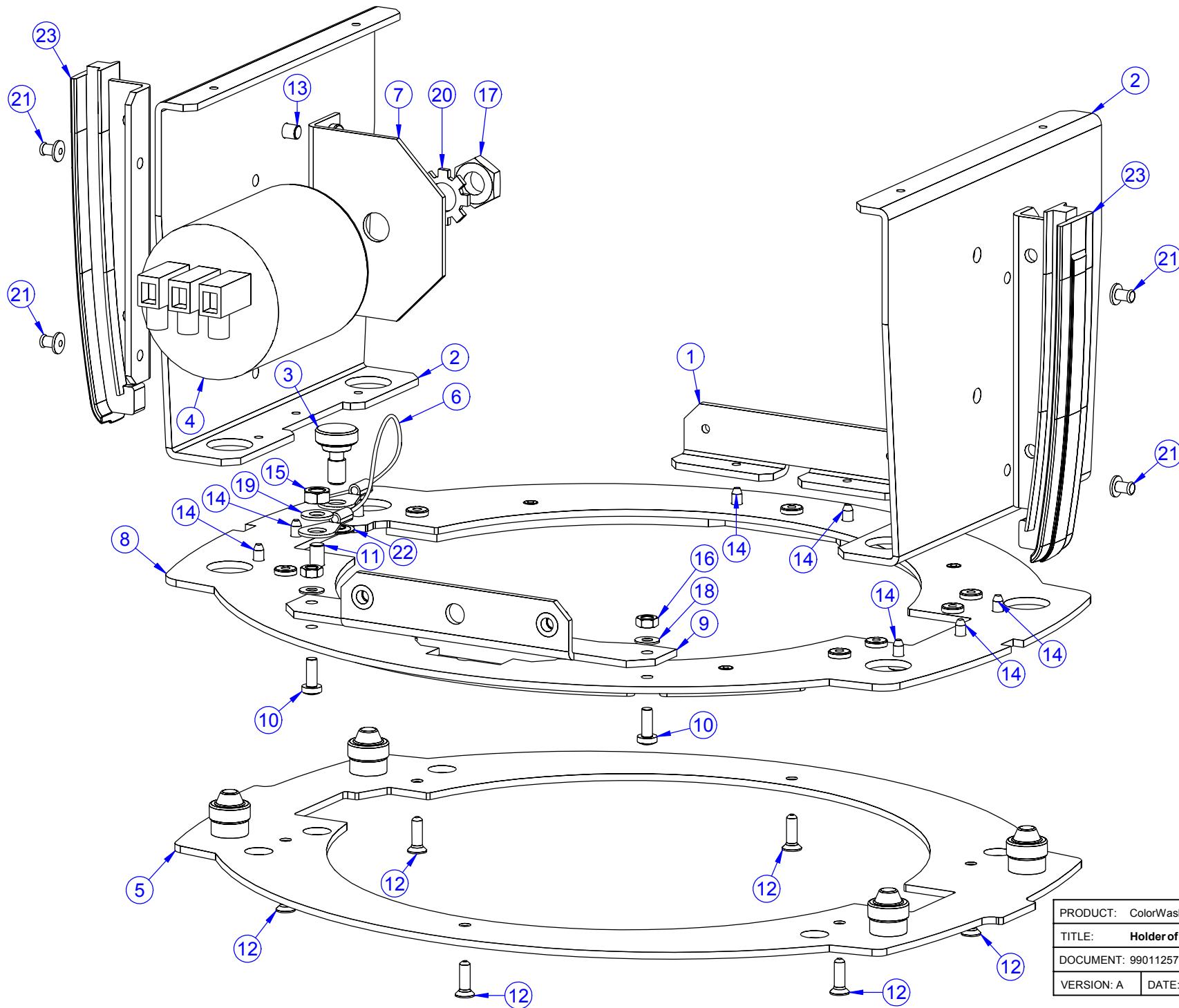
PRODUCT: ColorWash 575 AT ZOOM		
TITLE: Color module		
DOCUMENT: 99011251		
VERSION: A	DATE: 22.8.2005	SHEET: 12 OF 21



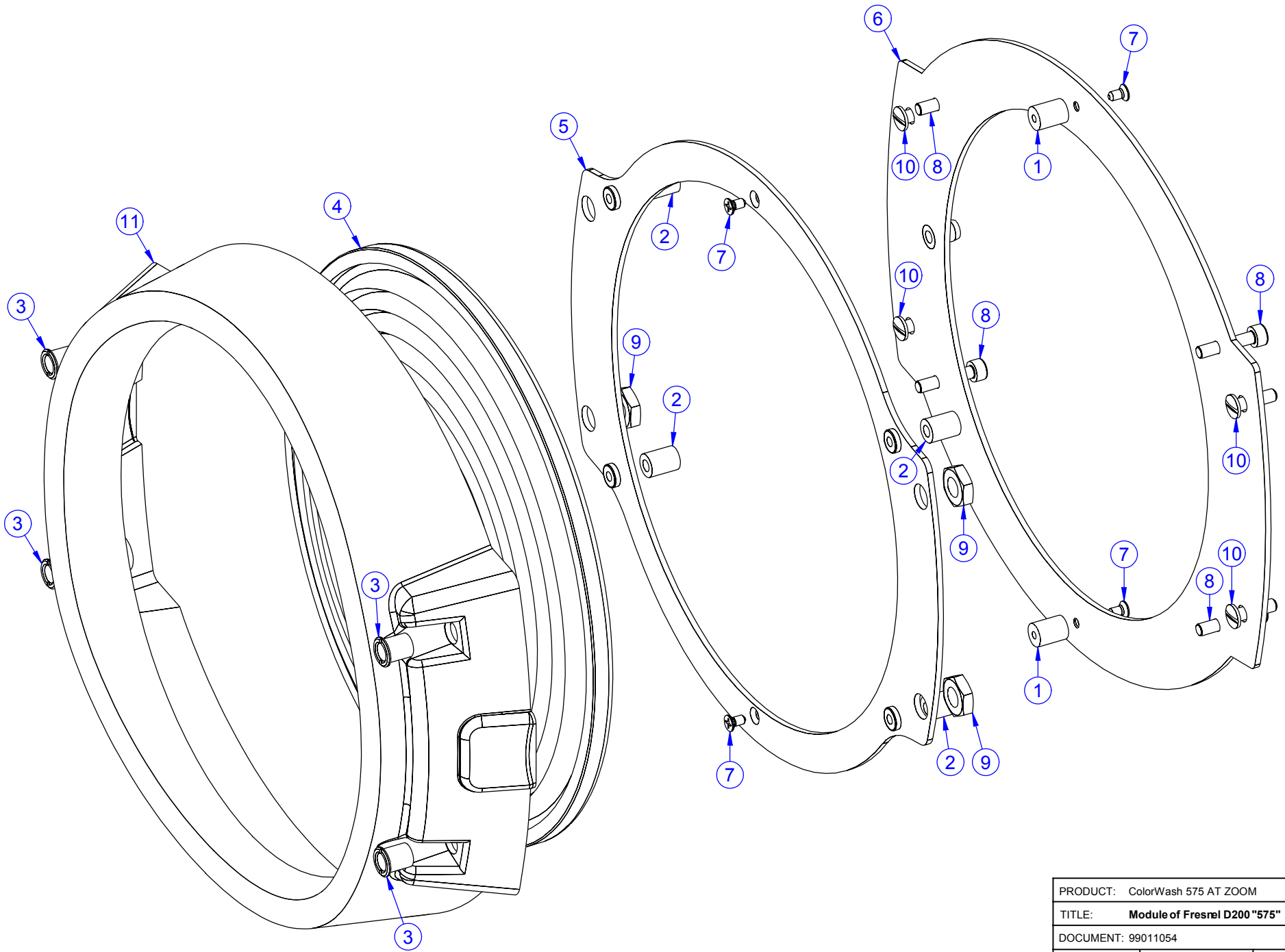
PRODUCT: ColorWash 575 AT ZOOM		
TITLE: Wheel Color 5+1 assembled		
DOCUMENT: 99011256		
VERSION: A	DATE: 22.8.2005	SHEET: 13 OF 21



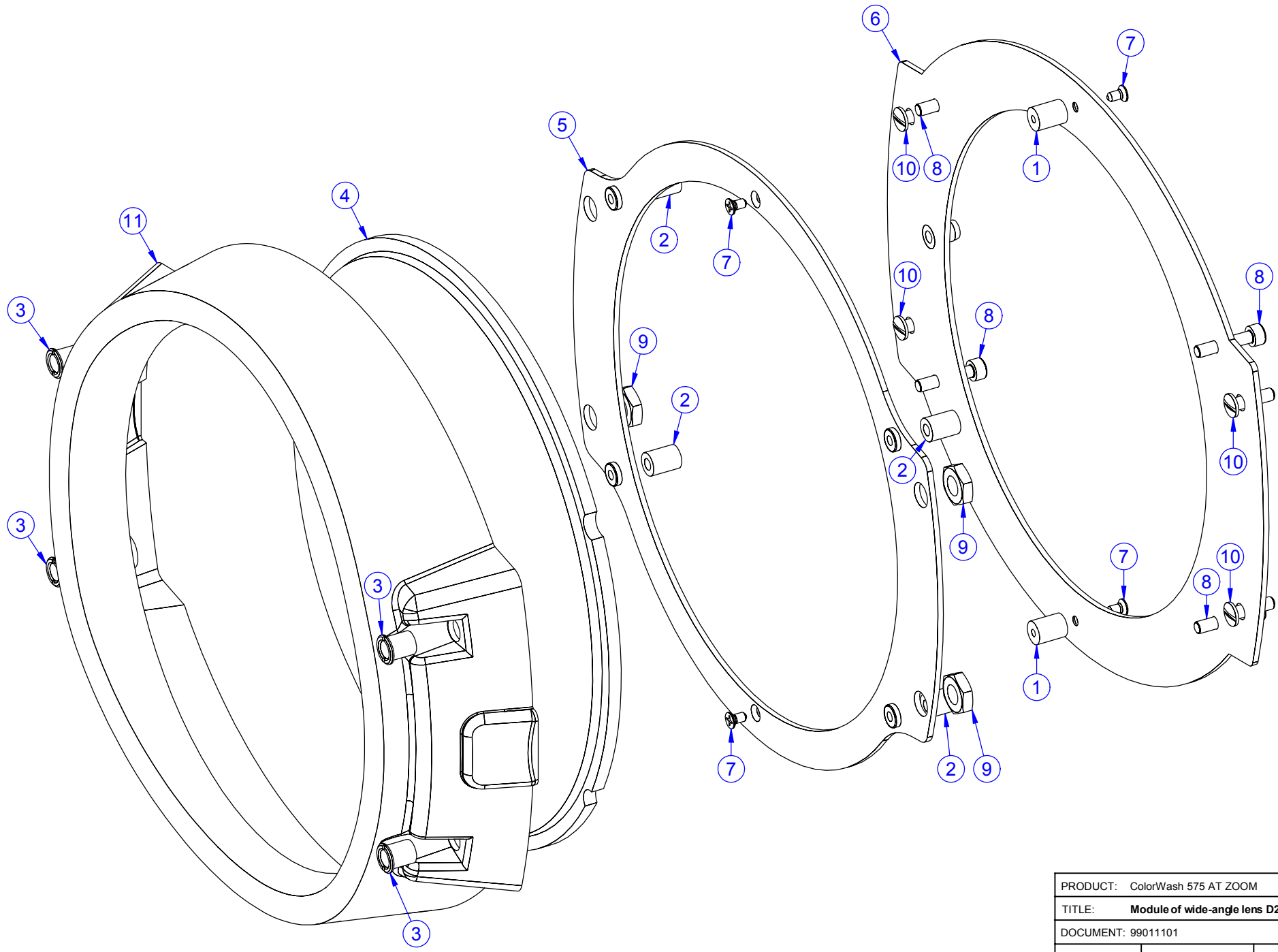
PRODUCT: ColorWash 575 AT ZOOM		
TITLE: Holder of module Fresnel		
DOCUMENT: 99011257		
VERSION: A	DATE: 22.8.2005	SHEET: 14 OF 21



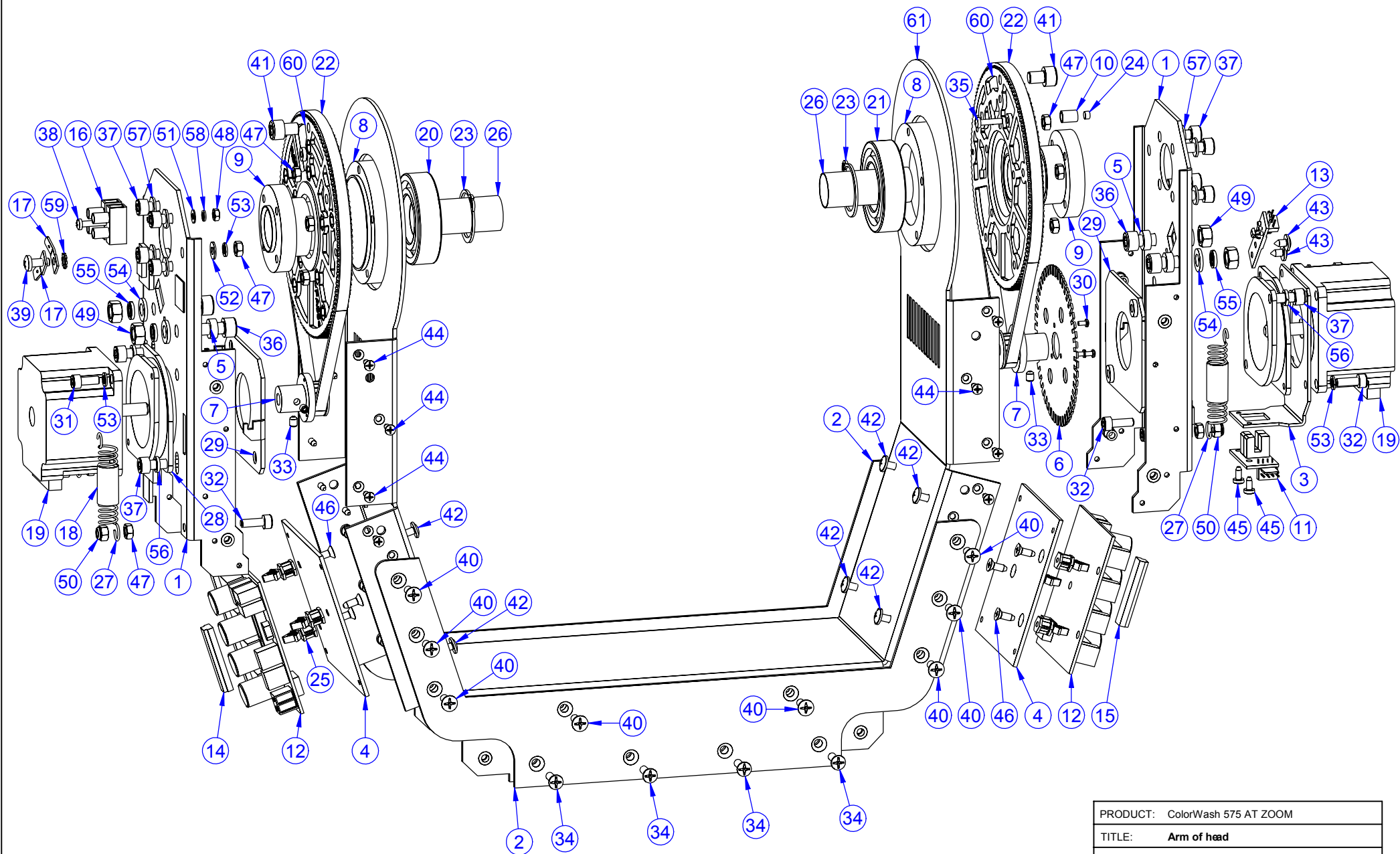
PRODUCT: ColorWash 575 AT ZOOM		
TITLE: Holder of objective		
DOCUMENT: 99011257		
VERSION: A	DATE: 22.8.2005	SHEET: 15 OF 21



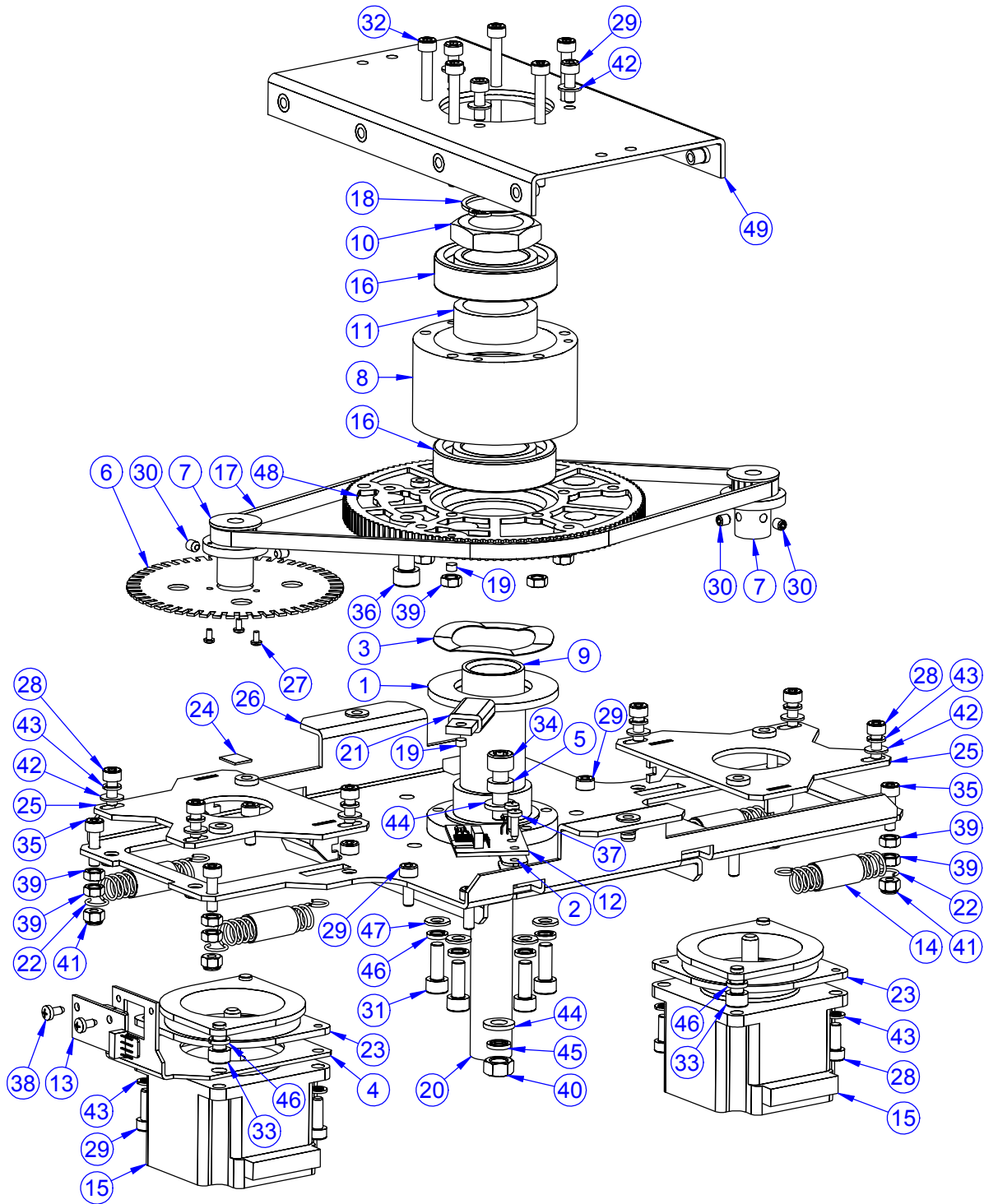
PRODUCT: ColorWash 575 AT ZOOM		
TITLE: Module of Fresnel D200 "575"		
DOCUMENT: 99011054		
VERSION: A	DATE: 22.8.2005	SHEET: 16 OF 21



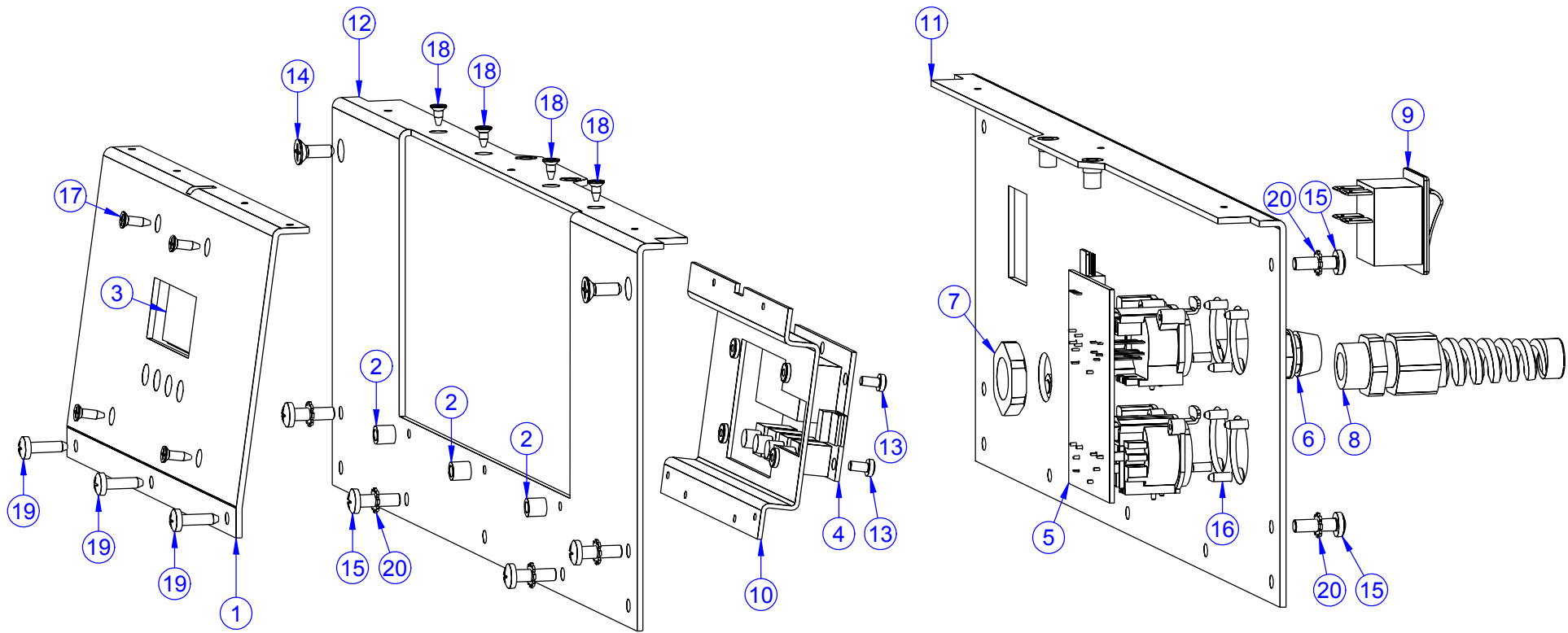
PRODUCT: ColorWash 575 AT ZOOM		
TITLE: Module of wide-angle lens D200		
DOCUMENT: 99011101		
VERSION: A	DATE: 22.8.2005	SHEET: 17 OF 21



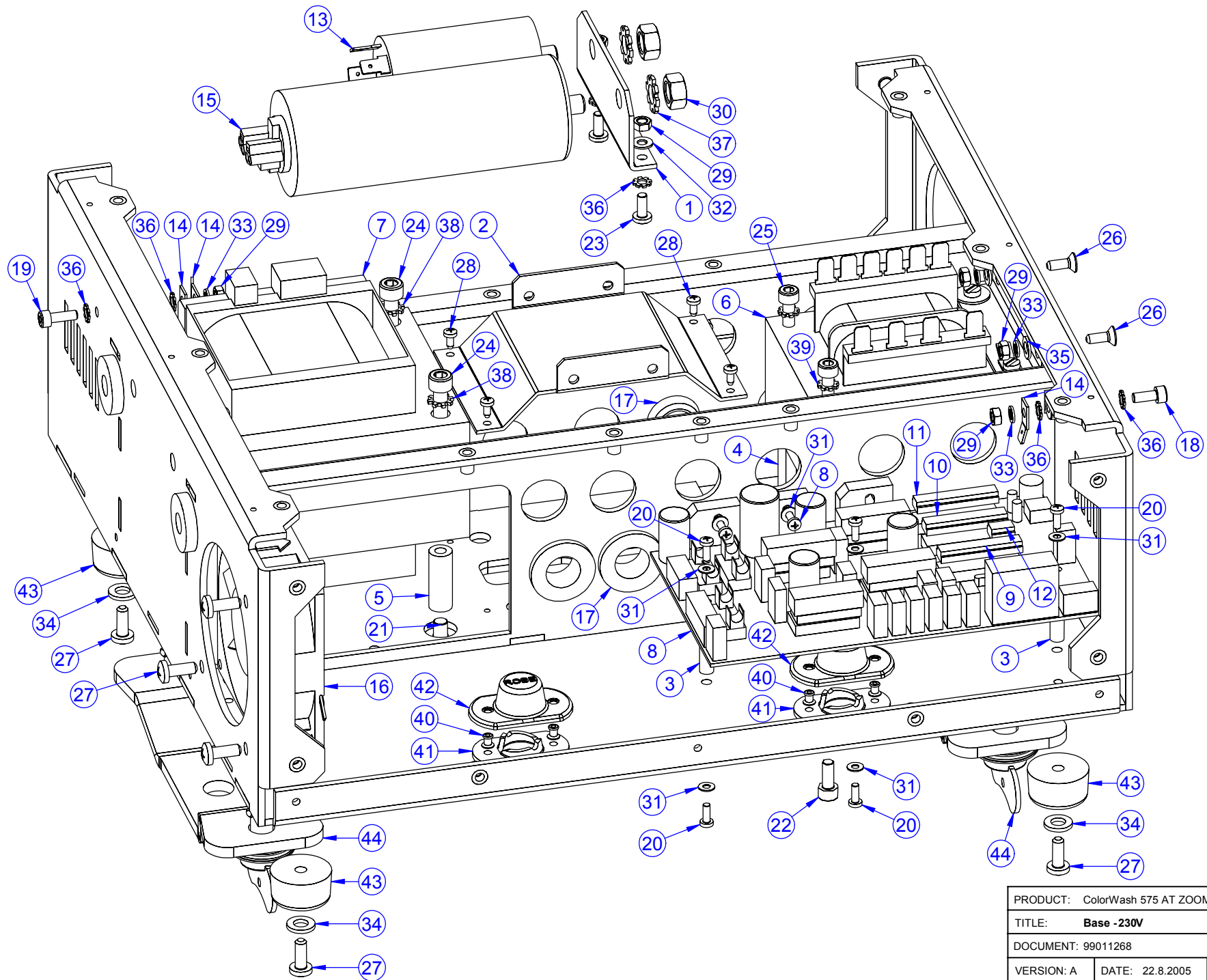
PRODUCT: ColorWash 575 AT ZOOM		
TITLE: Arm of head		
DOCUMENT: 99011250		
VERSION: A	DATE: 22.8.2005	SHEET: 18 OF 21



PRODUCT: ColorWash 575 AT ZOOM		
TITLE: Axe "X"		
DOCUMENT: 99010764		
VERSION: A	DATE: 22.8.2005	SHEET: 19 OF 21



PRODUCT: ColorWash 575 AT ZOOM		
TITLE: Front and rear panel of base - 230V		
DOCUMENT: 99011268		
VERSION: A	DATE: 22.8.2005	SHEET: 20 OF 21



PRODUCT: ColorWash 575 AT ZOOM		
TITLE: Base -230V		
DOCUMENT: 99011268		
VERSION: A	DATE: 22.8.2005	SHEET: 21 OF 21