

# RCFACUSTICA

## SUBWOOFER SERIES

# S4012



The S4012 high-efficiency Bandpass subwoofer is the ideal bass-frequency extension to complement the RCF Acustica Compact series two-way loudspeakers – C3108 & C3110 models. - The low-frequency transducer is an RCF Precision high-power 12" woofer with a 4" inside/outside voice coil to minimize power compression and extend the life of the product. This new woofer design is the result of the latest refinements in RCF experiences in compact active and passive subwoofer design, resulting in a fast and controlled reproduction of the bass frequency range. Using Bandpass loading to the transducer, the subwoofer design ensures an efficient acoustic response down to 45Hz. The Baltic birch plywood enclosure is painted with black, heavy duty, textured epoxy. The front is protected from a strong powder coated metal grille. The cabinet features two Neutrik Speakon™ connectors in a recessed input plate. A 35mm pole mount adaptor is provided in the top of the cabinet, along with integrated hand carry points in the cabinet sides.

The S4012 is part of RCF's Acustica Compact Series, which includes two way constant directivity enclosures and high efficiency subwoofers in easily installed enclosures.

### Applications

- Low Frequency Enhancement
- Music Enhancement
- Special Effects Reinforcement
- Entertainment Systems
- Live Music Reinforcement
- Small Club Sound Systems
- Infill Sub Bass Enhancement

### Features

- 12" high-efficiency RCF Precision 3" voice-coil woofer with Inside/Outside Coil Technology
- Horn reflex loaded woofer
- 128dB maximum sound pressure level
- Response down to 45Hz
- Rectangular box enclosure with protective metal grille
- 15 mm birch plywood construction
- 35 mm standard pole mount in top section of cabinet
- Integrated hand carry points

### SPECIFICATIONS

Freq. Range:	45Hz-200Hz
System sensitivity <sup>1</sup> :	96dB , 1W @ 1m
Rated maximum SPL:	128dB, @ 1m
System Nominal Impedance:	8 Ω
System Input Power Rating RMS <sup>2</sup> :	400W
System Input Power Rating PEAK <sup>2</sup> :	1200W
Recommended Amplifier <sup>3</sup> :	800W

### TRANSDUCERS

Low Frequency:	12" (304,8 mm) woofer with 3" (76,2 mm) inside/outside voice coil
Nominal Impedance:	8 Ω
Program power:	900W
Power handling capacity:	450W
Sensitivity <sup>1</sup> :	97 dB, 1W @ 1m

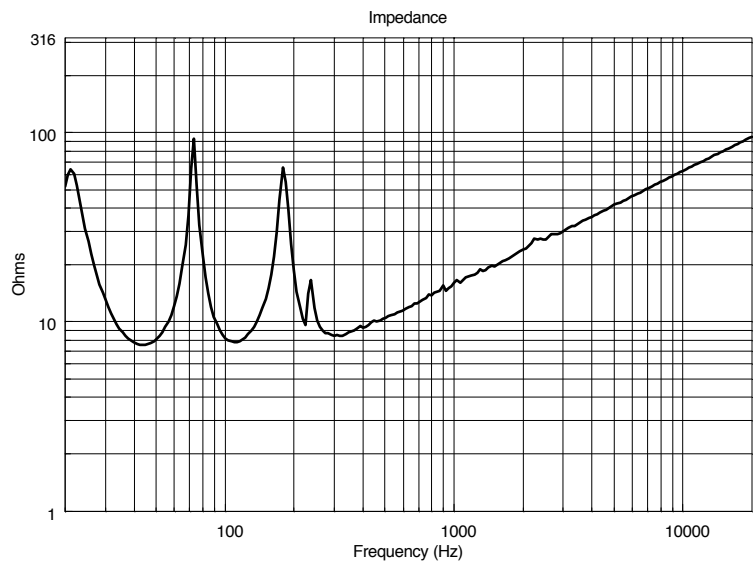
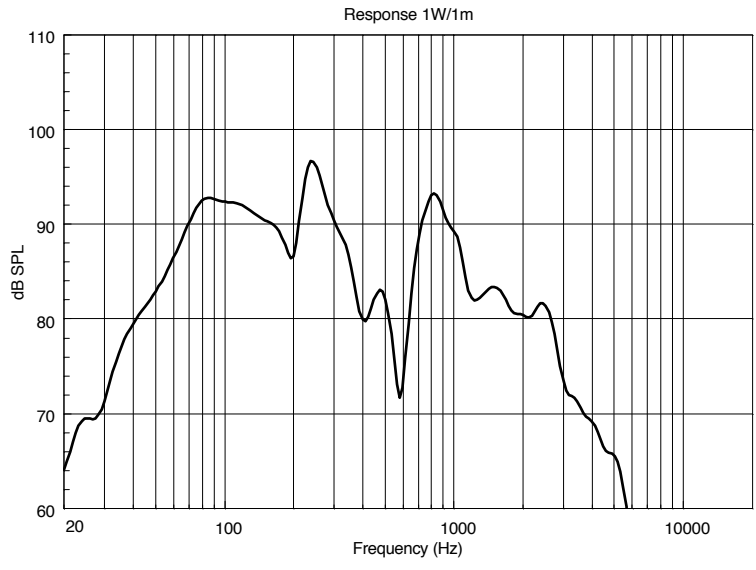
### PHYSICAL

Enclosure:	Rectangle, 15 mm birch plywood construction
Rigging inserts:	Pole mount
Color:	Black, scratch resistant paint
Grille:	Custom perforated steel grille with open-cell poly fiber backing
Input Connectors:	Speakon® NL4
Dimensions (H x W x D):	14.17"x19.69"x15.75" 360x500x400 mm
Weight:	44 lb - 20Kg

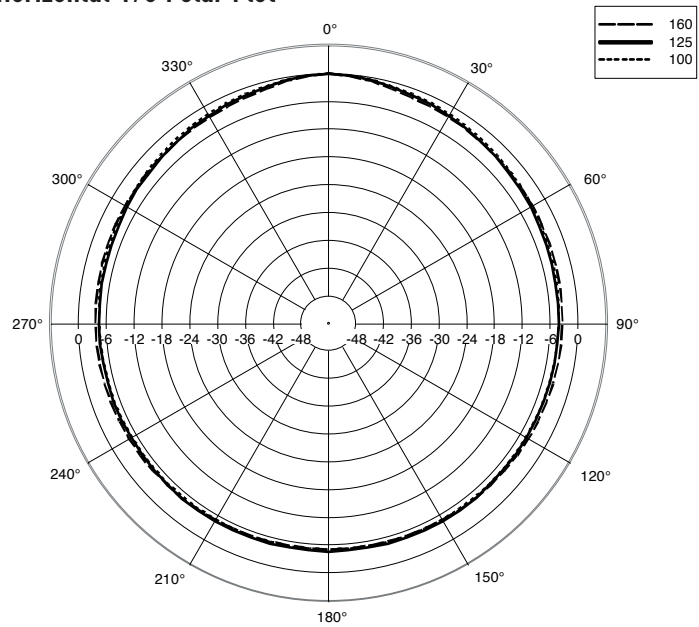
<sup>1</sup> Measured on axis in the far field with 1 watt (2.83V RMS, 8Ω) input and referenced to 1 meter distance using the inverse square law. Listed sound pressure represents an average from 300Hz to 3kHz.

<sup>2</sup> RMS using 20Hz to 20kHz, PN Spectrum, Peak for 2 hours with +6 dB crest factor.

<sup>3</sup> Recommended Amplifier is a power capability value that should be taken as a guide.



### Horizontal 1/3 Polar Plot



CSI PRODUCT SPECIFICATIONS FOR DESIGNERS, SPECIFIERS, AND CONSULTANTS (ALSO KNOWN AS “A&E SPECIFICATIONS”) The following are “Part 2 Products” CSI-type specifications. It is assumed that “Part 1 General – Administrative and Procedures” and “Part 3 Execution – Installation and Maintenance” are part of an overall audio system or project specification.

PART 2 PRODUCTS

2.01 Approved Manufacturer/Product

A. RCF, Via Raffaello 13, 42010 Mancasale, Reggio Emilia, Italy.

B. Model number: S4012

2.02 Design

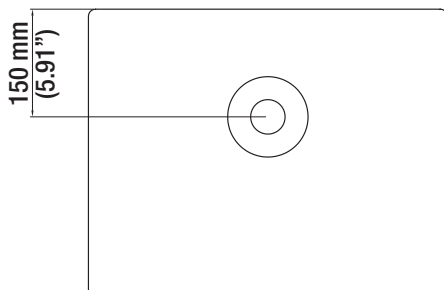
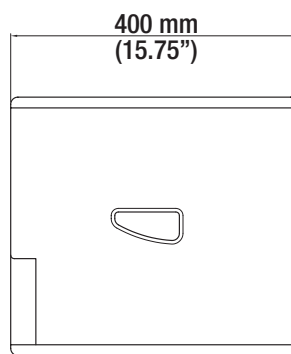
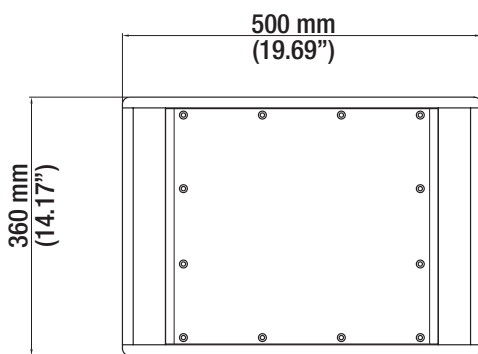
Configuration	Bandpass subwoofer
LF Sub-section	12" woofer, 3" voice coil

2.03 Acoustical Properties

Axial frequency range:	45Hz-200Hz
Axial sensitivity:	96db, 1W @ 1m
Power handling:	Applicable power 400W RMS Musical power 800W Peak power 1200W
Nominal impedance:	8 Ω

2.04 Physical Properties

Enclosure:	Rectangle, 15 mm birch plywood construction
Rigging inserts:	Pole mount
Color:	Black, scratch resistant paint
Grille:	Custom perforated steel grille with open-cell poly fiber backing
Input Connectors:	2 X Speakon® NL4
Dimensions (H x W x D):	14.17"x19.69"x15.75" 360x500x400 mm
Weight:	44 lb - 20Kg



RCF SpA Italy:  
tel. +39 0522 274 411  
fax +39 0522 232 428  
www.rcfaudio.com  
e-mail: info@rcf.it

RCF UK Sales Office:  
tel. +44 7005 402181  
e-mail: info@rcfaudio.co.uk

RCF France Sales Office:  
tel. +33 6 07501800  
e-mail: rcffrance@aol.com

RCF Germany Sales Office:  
tel. +49 2203 925370  
e-mail: germany@rcf.it

RCF USA Sales Office:  
tel. +1 (714) 281-8270  
e-mail: rcf-usa@adelphia.net