

## RCFACUSTICA

## COMPACT SERIES

## C5212W



The C5212W is a full range extremely versatile wide-dispersion, two-way loudspeaker system offering substantial power and efficiency for a variety of professional applications that include permanent installations, primary sound reinforcement, plus portable systems and supplementary fill for larger systems. The high-frequency section is a constant directivity CMD horn designed mathematically for Constant Matching Design in relation to the woofer system, loaded to a 2" RCF Precision Neodymium compression driver with a 2.50" diaphragm assembly for smooth, wide dispersion. The low-frequency transducer is a 12" RCF Precision woofer with a 3" voice coil.

The system includes a high-level crossover network that features markedly lower (than conventional) induction values in series with the woofer. We call this innovation LICC (Low Impedance Compensated Crossover). The benefit is delay reduction, reduced phase shift and superior transient response. Dynamic high-frequency driver protection is accomplished with a new RCF exclusive - Active Mosfet Compression Driver Protection System, (AMCDP) chosen to complement the power curve of the driver. The C5212W's crossover is easily bypassed for bi-amp or tri-amp (with the S8018 Subwoofer) via a recessed changeover switch.

The C5212W is part of RCF's Acustica Compact Series, which includes two way constant directivity enclosures and high efficiency subwoofers in easily installed enclosures.

## Applications

- Permanent Installations
- Main Reinforcement in small and medium spaces
- High-Level AV Playback
- Cluster configurations
- Live Music Reinforcement
- Large speech systems

## Features

- Very high efficiency design
- One 12" high-output RCF Precision LF transducer with 3" voice coil
- One RCF Precision Neodymium 2" Compression Driver with 2.5" voice coil
- 90° x 40° CMD (Constant Matching Design) constant directivity horn
- Dual-function design: built in passive crossover or external bi-amp
- Rotatable Horn System for horizontal cabinet mounting applications
- Hexagonal enclosure for array and close wall/ceiling configurations
- HF driver AMCDP (Active Mosfet Compression Driver Protection)
- LICC (Low Impedance Compensated Crossover) network
- 19mm birch plywood construction
- 9 Suspension points (M10)-
- 35mm standard internal pole mount
- Integrated hand-carry locations

## SYSTEM

|   |               |
|---|---------------|
| Freq. Range (-10 dB):                         | 54Hz-20kHz    |
| Freq. Range (-3 dB):                          | 65Hz-20kHz    |
| Horiz. coverage angle (-6 dB):                | 90°           |
| Vertical coverage angle (-6 dB):              | 40°           |
| Directivity factor; Q:                        | 10            |
| System sensitivity <sup>1</sup> :             | 99dB, 1W @ 1m |
| Rated maximum SPL:                            | 132dB, @ 1m   |
| System Nominal Impedance:                     | 8 Ω           |
| System Input Power Rating RMS <sup>2</sup> :  | 500W          |
| System Input Power Rating PEAK <sup>2</sup> : | 2000W         |
| Recommended Amplifier <sup>3</sup> :          | 1000W         |
| HF Protection:                                | dynamic       |
| Crossover:                                    | 1,2 kHz       |

## TRANSDUCERS

|                            |   |
|----------------------------|---|
| Low Frequency:             | 12" (304,8 mm) woofer with 3" (76,2 mm) coil            |
| Nominal Impedance:         | 8 Ω   |
| Input power Rating:        | 400W AES ; 800W Peak                                    |
| Sensitivity <sup>1</sup> : | 98 dB, 1W @ 1m  |
| High Frequency:            | 2" (50 mm) throat, 2.5" (64 mm) coil diaphragm assembly |
| Nominal Impedance:         | 8 Ω   |
| Input power Rating:        | 100W AES ; 200W Peak                                    |
| Sensitivity <sup>1</sup> : | 111 dB, 1W @ 1m   |

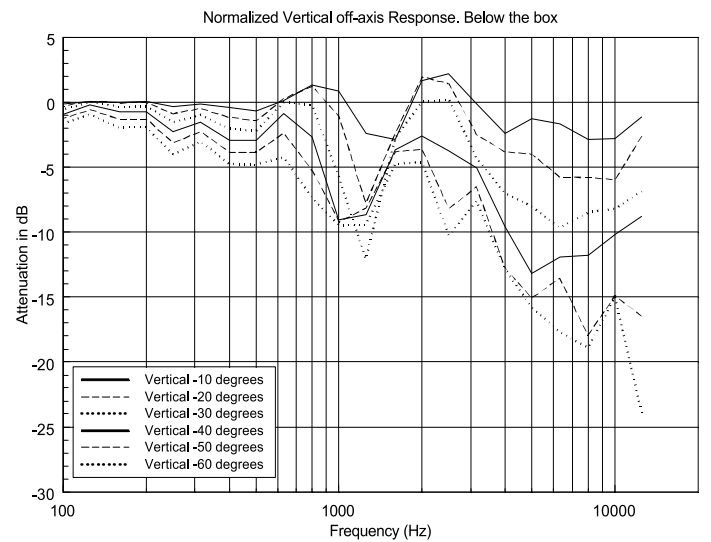
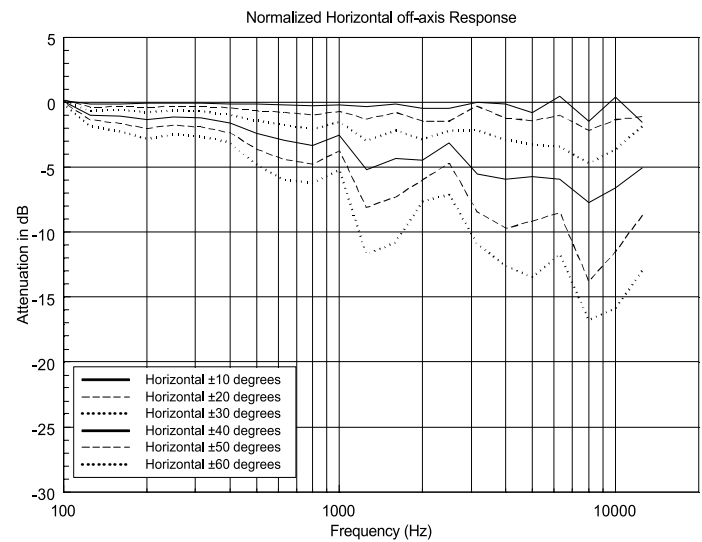
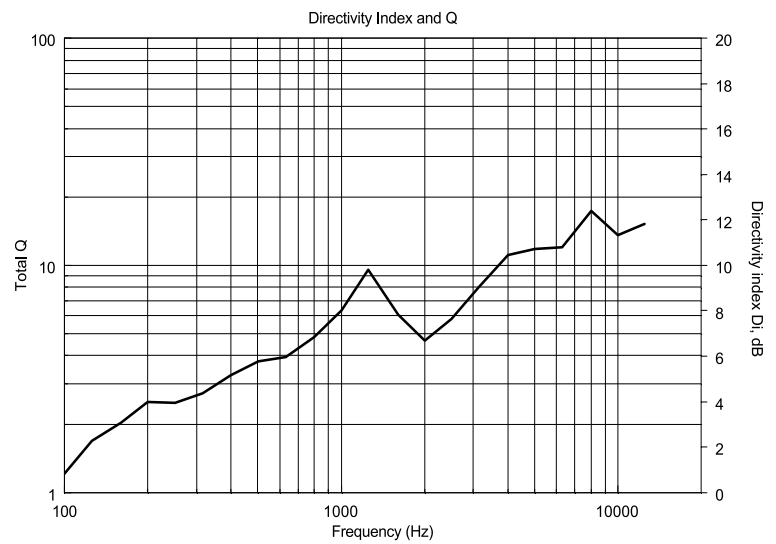
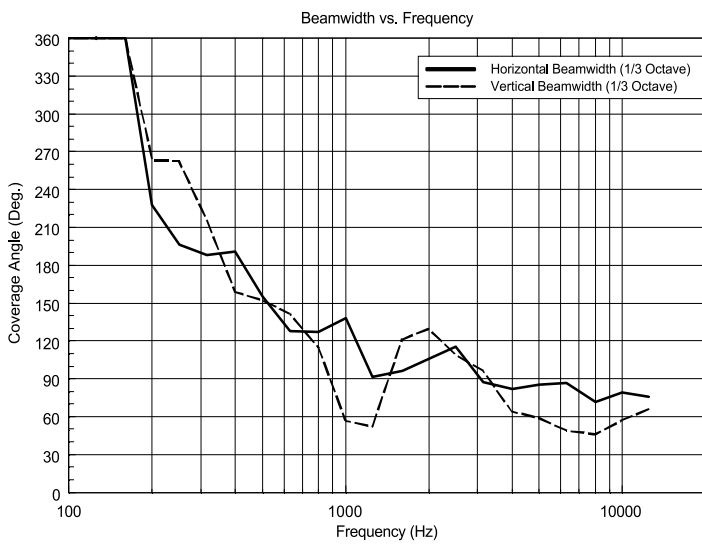
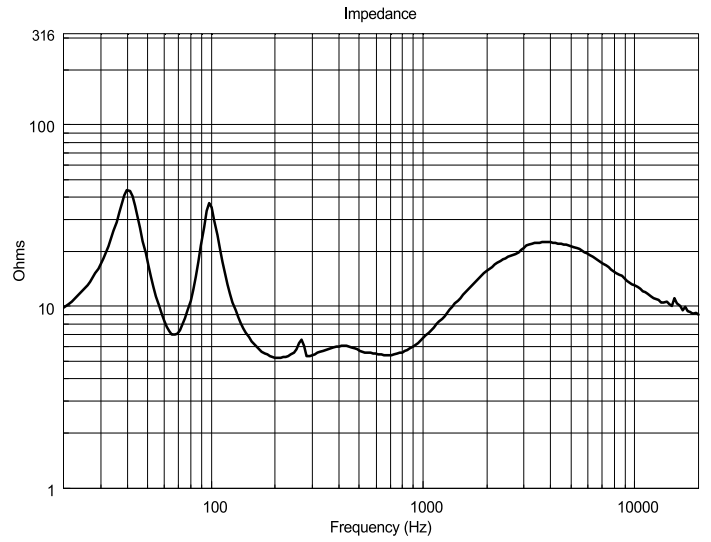
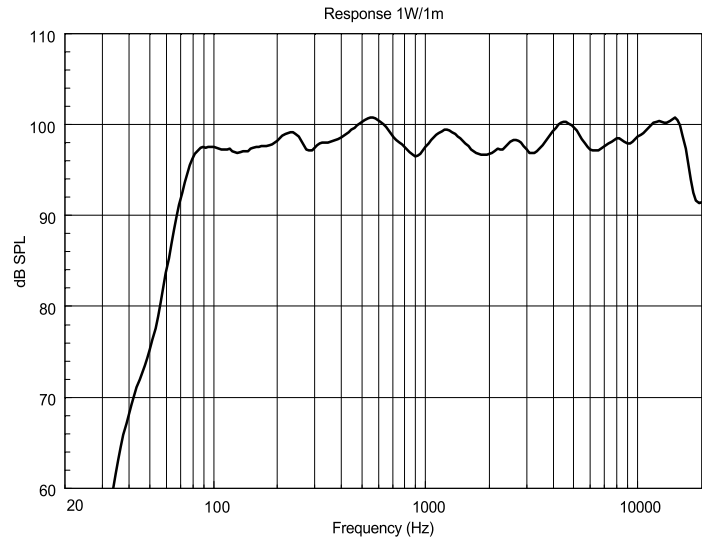
## PHYSICAL

|                         |   |
|-------------------------|---|
| Enclosure:              | Trapezoidal, 30° side angles<br>15 mm birch plywood construction    |
| Rigging inserts:        | 9 x M10 inserts + pole mount  |
| Color:                  | Black, scratch resistant paint                                      |
| Grille:                 | Custom perforated steel grille with<br>open-cell poly fiber backing |
| Input Connectors:       | Speakon® NL4  |
| Dimensions (H x W x D): | 23.62"x14.33"x15.16" 600x364x385 mm                                 |
| Weight:                 | 50.7 lb - 23Kg  |

<sup>1</sup> Measured on axis in the far field with 1 watt (2.83V RMS, 8Ω) input and referenced to 1 meter distance using the inverse square law. Listed sound pressure represents an average from 300Hz to 3kHz.

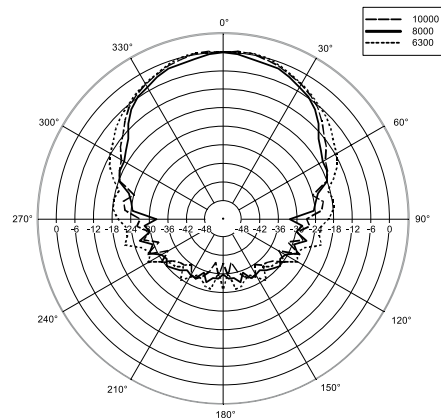
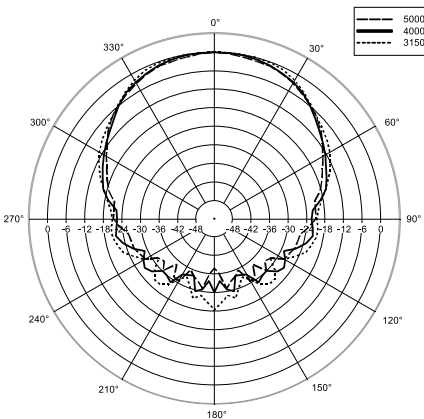
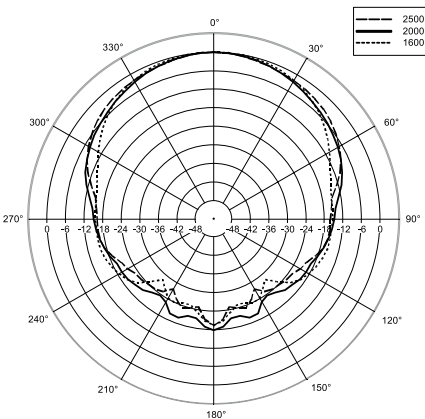
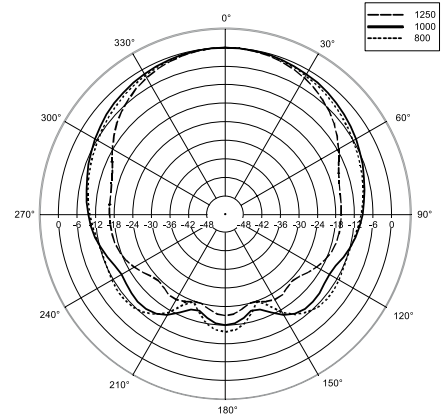
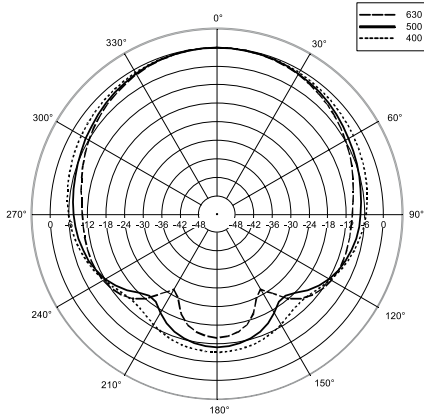
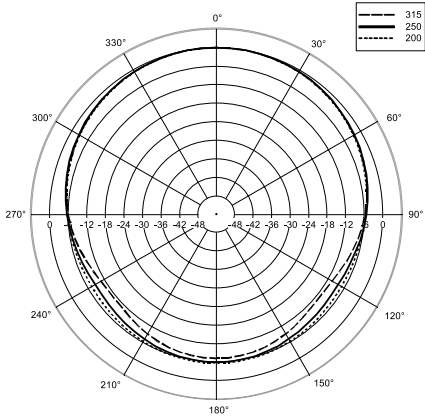
<sup>2</sup> RMS using 20Hz to 20kHz, PN Spectrum, Peak for 2 hours with +6 dB crest factor.

<sup>3</sup> Recommended Amplifier is a power capability value that should be taken as a guide.

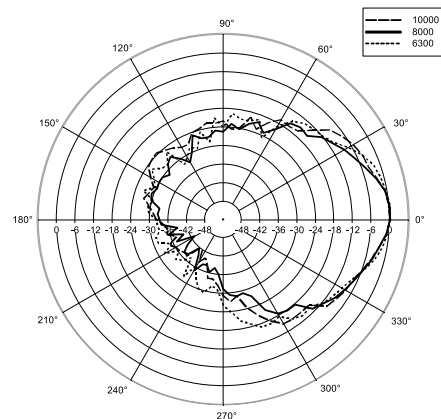
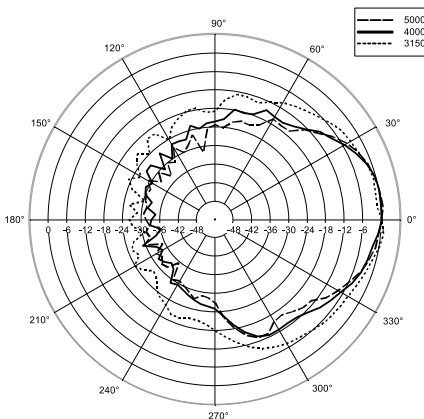
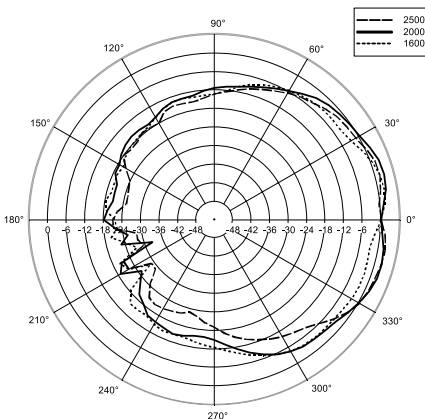
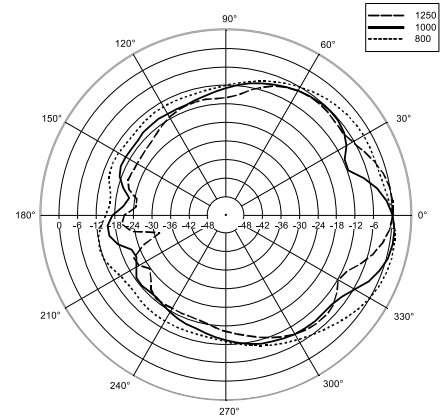
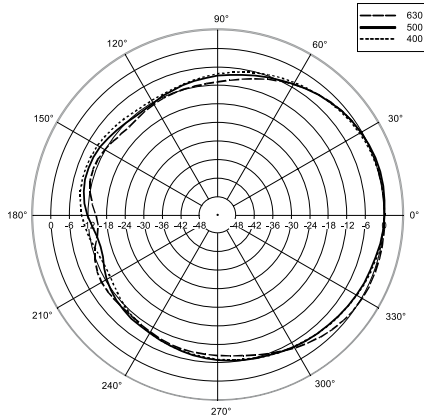
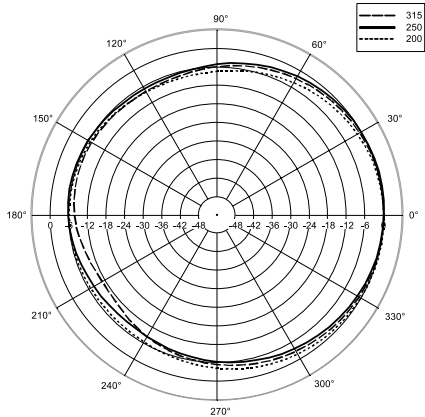




### Horizontal 1/3 Polar Plot



### Vertical 1/3 Polar Plot



CSI PRODUCT SPECIFICATIONS FOR DESIGNERS, SPECIFIERS, AND CONSULTANTS (ALSO KNOWN AS "A&E SPECIFICATIONS")  
 The following are "Part 2 Products" CSI-type specifications. It is assumed that "Part 1 General – Administrative and Procedures" and "Part 3 Execution – Installation and Maintenance" are part of an overall audio system or project specification.  
**PART 2 PRODUCTS**

### 2.01 Approved Manufacturer/Product

A. RCF, Via Raffaello 13, 42010 Mancasale, Reggio Emilia, Italy.

B. Model number: C5212W

### 2.02 Design

|                |   |
|----------------|---|
| Configuration  | Compact 2 way speaker                   |
| LF Sub-section | 12" mid-bass, 3" voice coil             |
| HF Sub-section | 2" neodymium, 2,5" aluminium voice coil |

### 2.03 Acoustical Proprieties

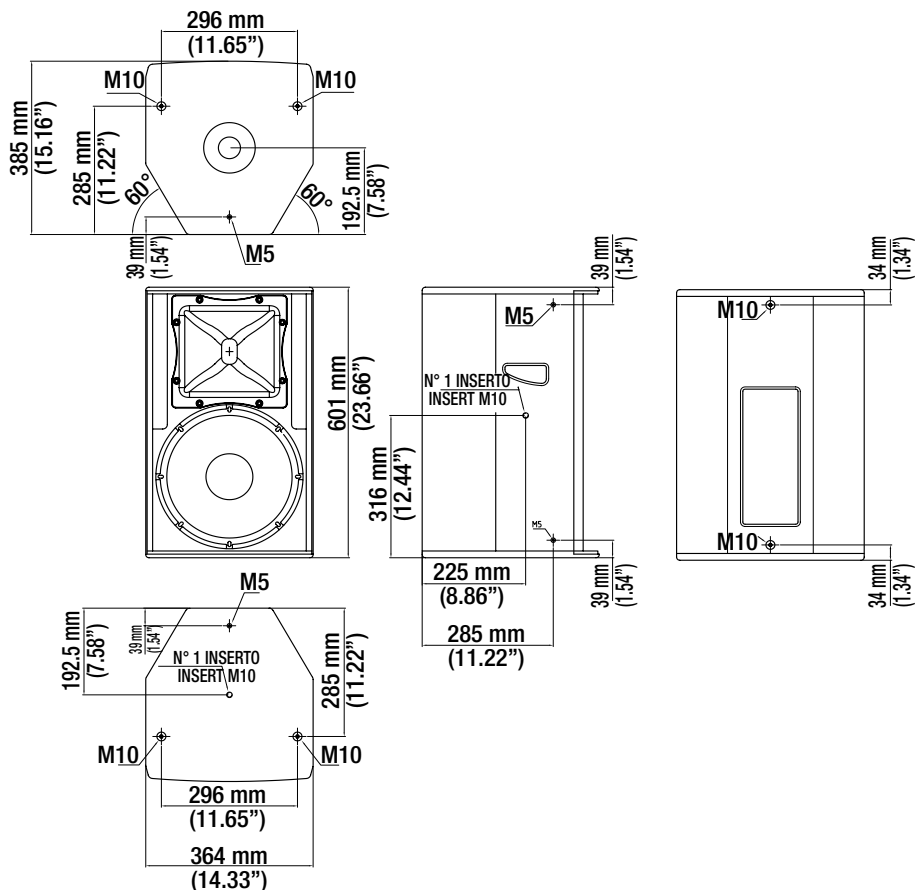
|                           |  |
|---------------------------|--|
| Nominal dispersion angle: | Horizontal: 60° - Vertical: 40°                                      |
| Axial frequency range:    | 54Hz-20kHz   |
| Axial sensitivity:        | 99dB, 1W @ 1m  |
| Power handling:           | Applicable power 500W RMS<br>Musical power 1000W<br>Peak power 2000W |
| Nominal impedance:        | 8 Ω  |

### 2.04 Physical Properties

|                         |  |
|-------------------------|--|
| Enclosure:              | Trapezoidal, 30° side angles 15 mm birch plywood construction  |
| Rigging inserts:        | 9 x M10 inserts (3 top, 2 side, 2 rear and 2 bottom), + pole mount or with optional accessory AC C12 H-BR 1 M10 inserts (bottom) |
| Color:                  | Black, scratch resistant paint   |
| Grille:                 | Custom perforated steel grille with open-cell poly fiber backing   |
| Input Connectors:       | 2 X Speakon® NL4   |
| Dimensions (H x W x D): | 23.62"x14.33"x15.16" 600x364x385 mm  |
| Weight:                 | 50.7 lb - 23Kg   |

### 2.05 Accessories

|             |   |
|-------------|---|
| AC C12 H-BR | Pair of bracket for mounting C5212W speakers on the wall. Adjustable inclination horizontal. Colour black |
| AC C12 V-BR | Pair of bracket for mounting C5212W speakers on the wall. Adjustable inclination vertical. Colour black   |



RCF SpA Italy:  
 tel. +39 0522 274 411  
 fax +39 0522 232 428  
 www.rcfaudio.com  
 e-mail: info@rcf.it

RCF UK Sales Office:  
 tel. +44 7005 402181  
 e-mail: info@rcfaudio.co.uk

RCF France Sales Office:  
 tel. +33 6 07501800  
 e-mail: rcffrance@aol.com

RCF Germany Sales Office:  
 tel. +49 2203 925370  
 e-mail: germany@rcf.it

RCF USA Sales Office:  
 tel. +1 (603) 926-4604  
 e-mail: rcf-usa@comcast.net