

Appendix C: Specifications

6912 Specifications System

System Type: Two-way, full-range loudspeaker
 Frequency Range (-10 dB): 49 Hz to 18 kHz
 Sensitivity (1W @ 1m): 99.9 dB SPL
 Nominal Impedance: 8 ohms
 Power Handling: 250 watts continuous
 500 watts program

Transducers

Low Frequency: 12 in/305 mm woofer, vented
 High Frequency: 1 in/25 mm tweeter,

Physical

Input Connectors: One 1/4" TS jack,
 one Speakon jack, paralleled
 Enclosure: Wood with textured black
 PVC vinyl covering
 Dimensions:
 Height: 25.6 in/65.1 cm
 Width: 17.8 in/45.1 cm
 Depth: 15.6 in/39.6 cm
 Weight: 49 lb/22 kg
 Mounting: Pole-mountable

6915 Specifications System

System Type: Two-way, full-range loudspeaker
 Frequency Range (-10 dB): 47 Hz to 18 kHz
 Sensitivity (1W @ 1m): 101.1 dB SPL
 Nominal Impedance: 8 ohms
 Power Handling: 300 watts continuous
 600 watts program

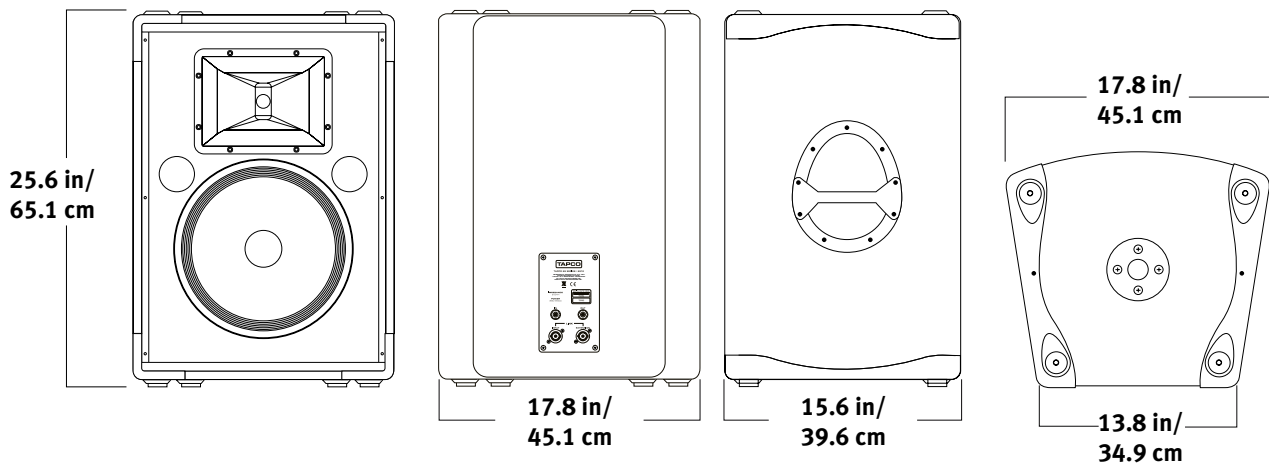
Transducers

Low Frequency: 15 in/381 mm woofer, vented
 High Frequency: 1 in/25 mm tweeter,

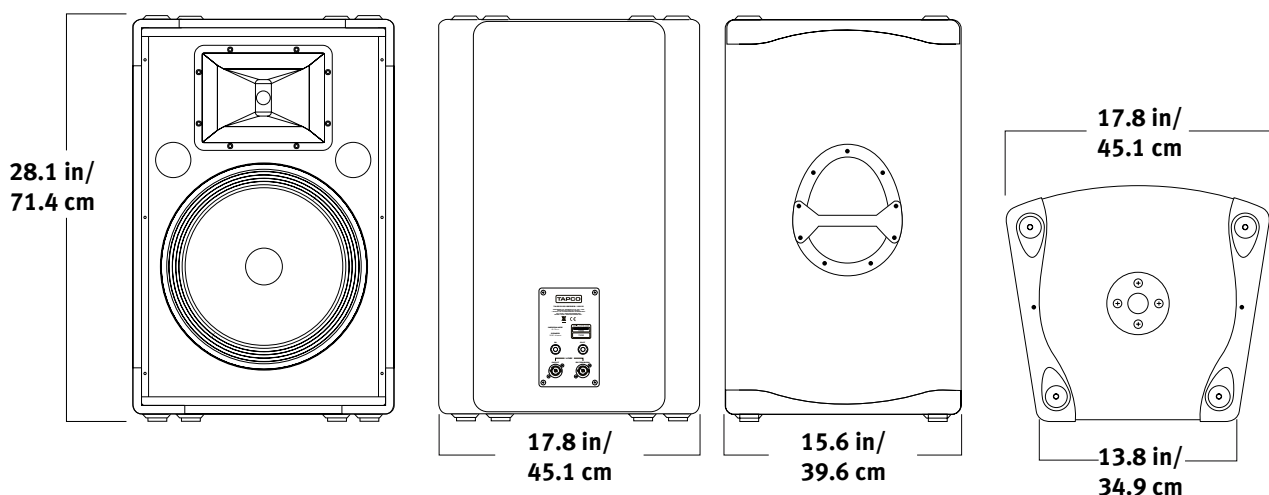
Physical

Input Connectors: One 1/4" TS jack,
 one Speakon jack, paralleled
 Enclosure: Wood with textured black
 PVC vinyl covering
 Dimensions:
 Height: 28.1 in/71.4 cm
 Width: 17.8 in/45.1 cm
 Depth: 15.6 in/39.6 cm
 Weight: 51 lb/23 kg
 Mounting: Pole-mountable

6912 Dimensions



6915 Dimensions



6925 Specifications System

System Type: Two-way, full-range loudspeaker
 Frequency Range (-10 dB): 51 Hz to 18 kHz
 Sensitivity (1W @ 1m): 102.9 dB SPL
 Nominal Impedance: 8 ohms
 Power Handling: 600 watts continuous
 1200 watts program

Transducers

Low Frequency: Two 15 in/381 mm woofers, vented
 High Frequency: 1 in/25 mm tweeter,

Physical

Input Connectors: One 1/4" TS jack,
 one Speakon jack, paralleled
 Enclosure: Wood with textured black
 PVC vinyl covering
 Dimensions:
 Height: 43.9 in/111.5 cm
 Width: 16.8 in/42.5 cm
 Depth: 15.6 in/39.6 cm
 Weight: 75 lb/34 kg

6918s Specifications System

System Type: Subwoofer
 Frequency Range (-10 dB): 37 Hz to 220 Hz
 Sensitivity (1W @ 1m): 98.3 dB SPL
 Nominal Impedance: 8 ohms
 Power Handling: 450 watts continuous
 900 watts program

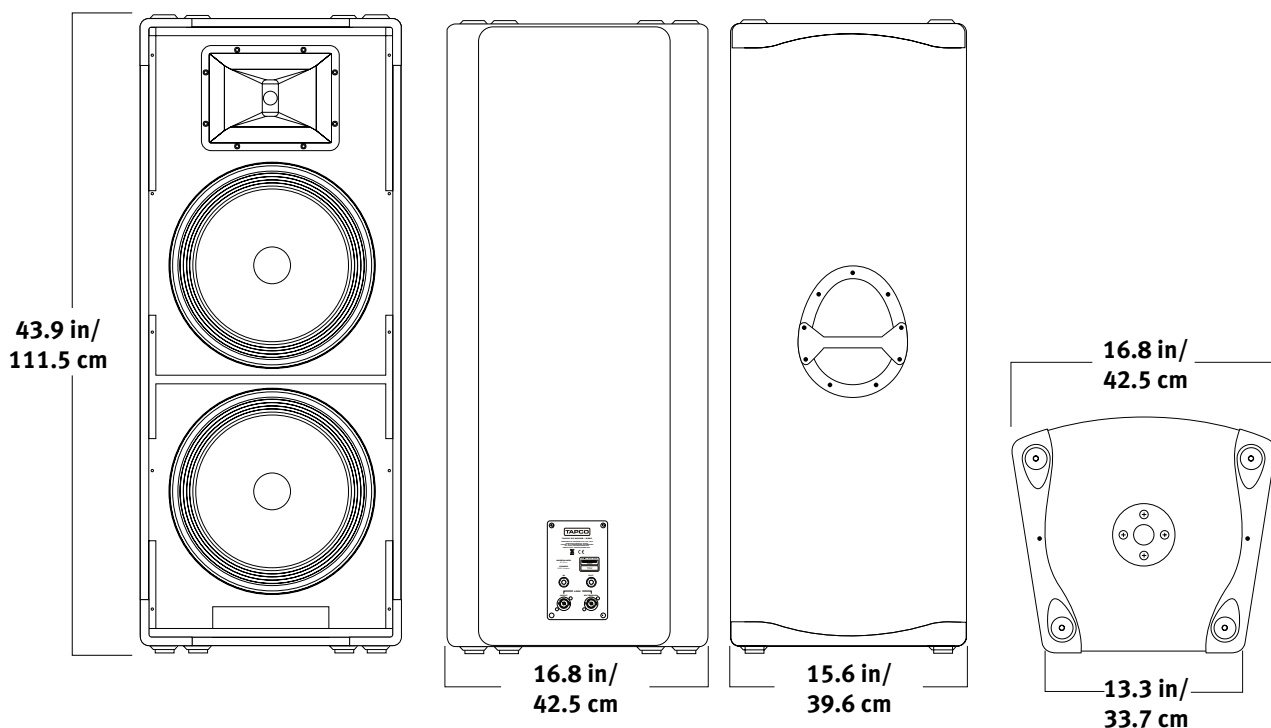
Transducers

Low Frequency: 18 in/457 mm woofer, vented

Physical

Input Connectors: One 1/4" TS jack,
 one Speakon jack, paralleled
 Enclosure: Wood with durable black paint
 Dimensions:
 Height: 23.9 in/60.7 cm
 Width: 20.3 in/51.4 cm
 Depth: 21.3 in/54.0 cm
 Weight: 70 lb/32 kg
 Mounting: Pole-mount on top

6925 Dimensions



6918s Dimensions

