

HS 212 HS 212T

horn speaker



HS212

HS212

This full range loudspeaker system is engineered to provide quality, long throw, full range sound projection in a variety of in- and outdoor applications. Its wide, smooth frequency response and high efficiency ensures high-fidelity music reproduction along with superb projection of clear, intelligible speech at very low distortion.

Applications :

- Athletic fields (football, soccer, baseball, tennis, ...)
- Small arenas, athletic field houses
- Theme and amusements parks
- Fairgrounds, rodeos, air shows
- Racing tracks, skating rinks, swimming pools
- Convention centers, factories, warehouses
- Cruise ships

Features :

- Application-specific coverage pattern
- High efficiency horn loading
- High-fidelity, full range reproduction of music and speech

HS212T

The AUDAC HS212T is specially designed for fixed installations, and has a very special coverage pattern of 40°, horizontally and vertically. The HS212T features a 3" HF driver with a 12" LF loudspeaker combination for the best sound reproduction, and has a power tapping for 300W, 150W and 75W in a 100V system. The speaker is constructed of very strong and durable polyester with a black textured polyurethane coating.

About Audac :

AUDAC provides a complete range of audio equipment such as amplifiers, loudspeakers, microphones, conference microphones and much more.



FEATURES :

High-fidelity, full range reproduction of music and speech

High efficiency horn loading

Application-specific coverage pattern

APPLICATIONS :

Long throw full-range sound projection in a variety of outdoor and indoor applications

Athletic fields (football, soccer, baseball, tennis , ...

MBK212

Mounting bracket for the HS212/HS212T



HS 212 HS 212T horn speaker

PROFESSIONAL SOUND EQUIPMENT

AUDAC
www.audac.eu

PRODUCT FEATURES :

Drivers : HF	3"
MF	12"
Dimensions (BxHxD)	505 x 735 x 505 mm
Weight Net	28 kg
Connectors	Speakon
Construction	Plywood with textured polyurethane black coating
Fittings : Handles	/
front finish	perforated steel grille
Colour	black

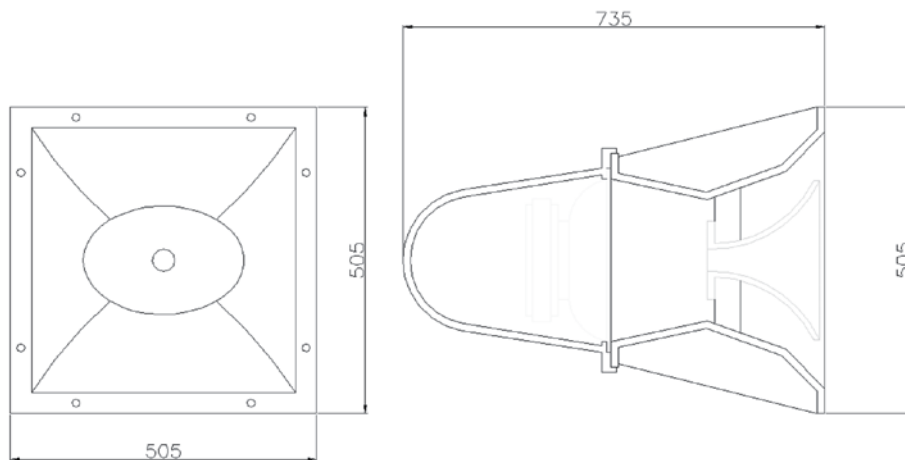
SYSTEM SPECIFICATIONS :

RMS Power	350W
Max Power	700W
Impedance	8 Ohm
Sound pressure 1W/1m	110 dB
Max Sound pressure	136 dB
Horizontal coverage	40°
Vertical coverage	40°
Frequency response -3 db	80 - 18.000 Hz
-10 db	65 - 20.000 Hz
Crossover freq.	1.500 Hz

SHIPPING & ORDERING :

Packaging	carton box
Shipping weight and volume	32 kgr - 0.50 Cbm
Accessories	L-mounted wall bracket protecton bag. eye bolt

* AUDAC reserves the right to change specifications without notice: this is part of our policy to continually improve our products.



CE approved product

For a period of 2 years, starting from the original date of purchase, Audac products are covered against defects in workmanship or materials. The defective item will be repaired or replaced at the option of Audac, with no charge for materials or labor. You have to adequately pack up and dispatch the item prepaid to an Audac authorized distributor/service centre. Unauthorized repair shall void the warranty. Cosmetics and finish are not covered by this Audac warranty. The warranty is also voided if, in Audac's opinion, the items have failed due to user abuse, accidents, modifications or any type of misuse.

