

# HS 208 HS 208T

horn speaker



HS208

**FEATURES :**

High-fidelity, full range reproduction of music and speech

High efficiency horn loading

Application-specific coverage pattern

**APPLICATIONS :**

Long throw full-range sound projection in a variety of outdoor and indoor applications

## HS208

This full-range loudspeaker system is engineered to provide long throw, full range sound projection in a variety of in- and outdoor applications. Its wide, smooth frequency response and high efficiency ensure high-fidelity music reproduction along with superb projection of clear, intelligible speech at very low distortion. This projector is equipped with an 8 inch full range loudspeaker.

## HS208T

The AUDAC HS208T is specially designed for fixed installations and has a very special coverage pattern of 40°, horizontally and vertically. The HS208T features a 3" HF driver with an 8" LF loudspeaker combination for the best sound reproduction, and has a power tapping for 100 W, 50 W and 25 W in a 100V System. The speaker is constructed of very strong and durable polyester with a black textured polyurethane coating.



## MBK208

Mounting bracket for the HS208/HS208T

# HS 208 HS 208T horn speaker

PROFESSIONAL SOUND EQUIPMENT

## PRODUCT FEATURES :

Drivers : HF MF	3" 8"
Dimensions (BxHxD)	350 x 482 x 350 mm
Weight Net	/
Connectors	Speakon
Construction	Plywood with textured polyurethane black coating
Fittings : Handles	/
front finish	perforated steel grille
Colour	black

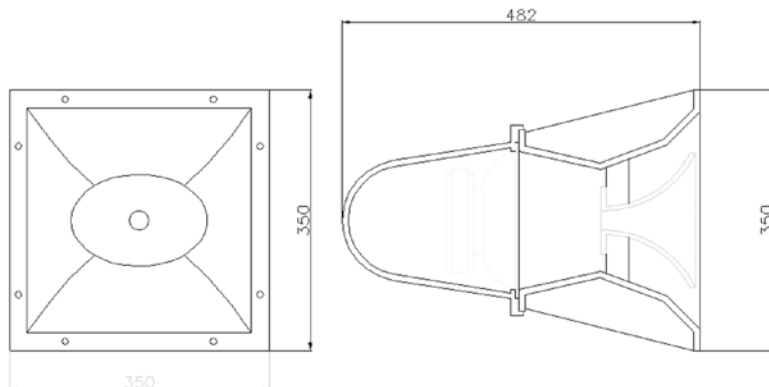
## SYSTEM SPECIFICATIONS :

	(under restriction)
RMS Power	na
Max Power	na
Impedance	8 Ohm
Sound pressure 1W/1m	
Max Sound pressure	
Horizontal coverage	40°
Vertical coverage	40°
Frequency response -3 db -10 db	
Crossover freq.	

## SHIPPING & ORDERING :

Packaging	carton box
Shipping weight and volume	/
Accessories	L-mounted wall bracket protecton bag. eye bolt

\* AUDAC reserves the right to change specifications without notice: this is part of our policy to continually improve our products.



**AUDAC**  
www.audac.eu

For a period of 2 years, starting from the original date of purchase, Audac products are covered against defects in workmanship or materials. The defective item will be repaired or replaced at the option of Audac, with no charge for materials or labor. You have to adequately pack up and dispatch the item prepaid to an Audac authorized distributor/service centre. Unauthorized repair shall void the warranty. Cosmetics and finish are not covered by this Audac warranty. The warranty is also voided if, in Audac's opinion, the items have failed due to user abuse, accidents, modifications or any type of misuse.

