

ZxA5

ZxA5-90
15-Inch Two-Way
Powered 90° x 50°
Loudspeaker System



Key Features:

- Integrated Amplifier with 1000W LF, 250W HF
- Selectable 100 Hz High Pass
- DVX3150 15" LF Transducer with Forced Air Cooling
- ND2 2" Voice Coil, 1" Exit Neodymium Compression Driver
- 90° x 50° Coverage Pattern
- High Sensitivity, 133 dB Maximum SPL
- Adjustable Monitor Angle (45° or 55°)
- 3 Anchor Plates for Single Stud Fittings and 10 Integral Suspension Points
- Full Line of Accessories
- PowerCon Connector with Slave Through



General Description:

The Electro-Voice® ZxA5 is the new standard of no compromise audio performance and versatility in a simple to use, compact package.

At its heart are the transducers. First is the DVX3150 high performance low frequency transducer. EV used advanced computer aided design techniques to create forced air, directional voice coil cooling for high power and efficiency. Finite element analysis was used to optimize the suspension and magnetic structure for long, linear travel to provide low distortion and greater LF extension. These features and details, such as forged magnetic components and special materials, provide reliability in a lightweight transducer. Next is the ND2, a 2-inch voice coil compression driver based on neodymium motor structure to allow for maximum output while reducing size and weight to a minimum. Its precision phasing plug and titanium diaphragm provide better HF performance, while the integral heatsink provides cooling for high power output.

The high tech enclosure uses injection-molded high-impact polypropylene structural foam to make the ZxA5 incredibly durable. The enclosure geometry elements have been carefully designed to provide maximum rigidity and bass response. By design the ZxA5 is also a perfect solution for stage monitors by allowing two angles (45° or 55°) without any additional accessories.

The ZxA5 has an integrated high output, lightweight digital amplifier that produces 1000W LF and 250W HF. The very low noise design includes a 24 dB/octave 100 Hz high pass filter for use with a sub, the perfect match being the Plasma P2 18" Powered Subwoofer.

The ZxA5 is equipped with three anchor plates for rigging with single stud-fittings, along with two more possible anchor plate attachment points on the bottom. For permanent suspension or attaching brackets, the ZxA5 also has two M8 inserts on the top and bottom, two under the handle, and four on the back of the enclosure, for a total of 10. All versions are available in black or white.

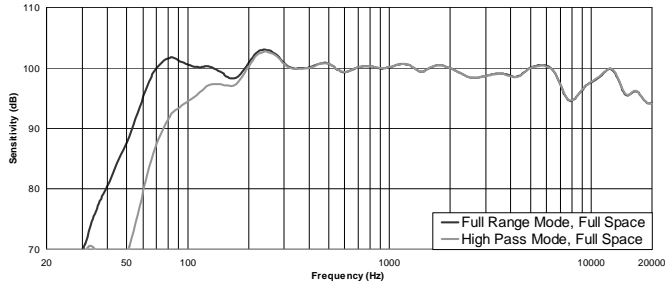
Technical Specifications:

Freq. Response ¹ (-3 dB):	58 Hz - 18 kHz
Freq. Range ¹ (-10 dB):	50 Hz - 20 kHz
Max Calculated SPL:	133 dB
Horizontal Coverage:	90°
Vertical Coverage:	50°
LF Amplifier Power:	1000W
HF Amplifier Power:	250W
LF Transducer:	DVX3150, 15in (300mm) Driver
HF Transducer:	ND2-16, 1in. (25.4mm) exit Neodymium Compression Driver
Crossover Frequency:	1.5 kHz
Input Connector:	XLR and 1/4" TRS Combination
Output Connector:	XLR
Power Requirement:	110-130 VAC, 50-60 Hz, or 220-240VAC, 50-60 Hz
Enclosure Material:	Polypropylene Structural Foam
Suspension:	Enclosure has locations for 5 Single-Stud Attachment Plates and 10 Forged Steel Eyebolts - 2 on Top, 2 on Bottom, 2 on Side, and 4 on Rear of Enclosure
Grille:	Polyester Powder Coated, 16GA Galvanized Steel
Dim (H x W x D):	27.26" x 17.57" x 16.16" (692mm x 446mm x 411mm)
Net Weight:	50.5 lbs (22.9 kg)
Shipping Weight:	58.9 lbs (26.7 kg)

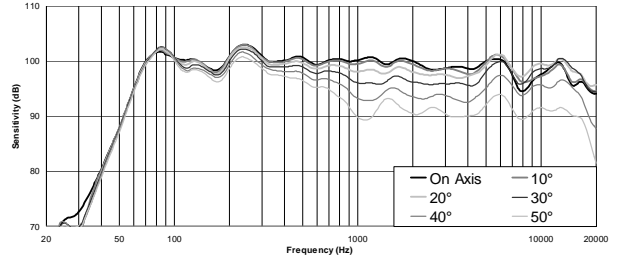
¹ Half Space measurement.

ZxA5-90 Full Range Loudspeaker

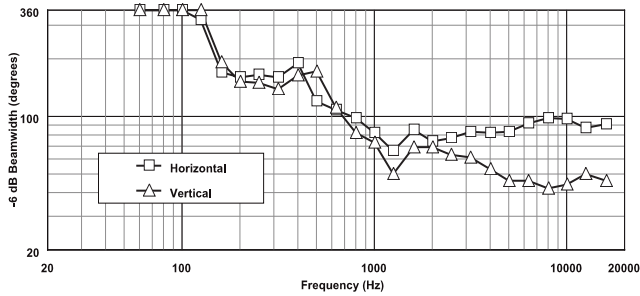
Frequency Response:



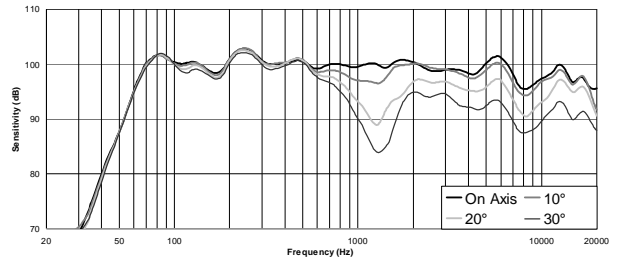
Horizontal Off Axis Frequency Response:



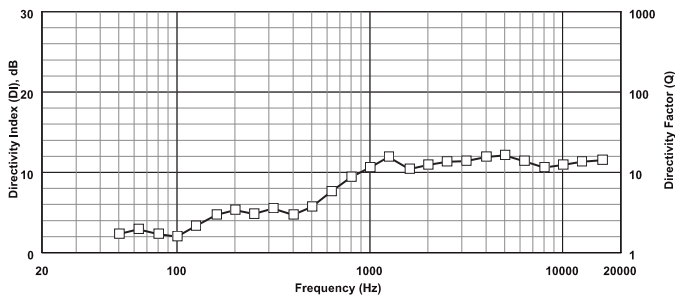
Beamwidth:



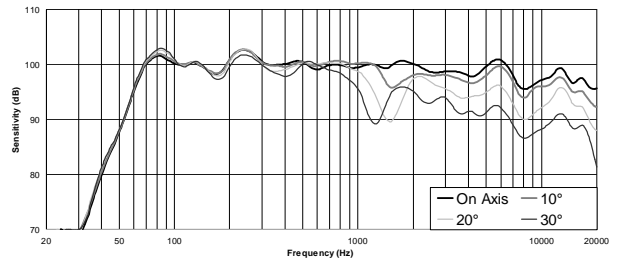
Vertical Off Axis Frequency Response (Up):



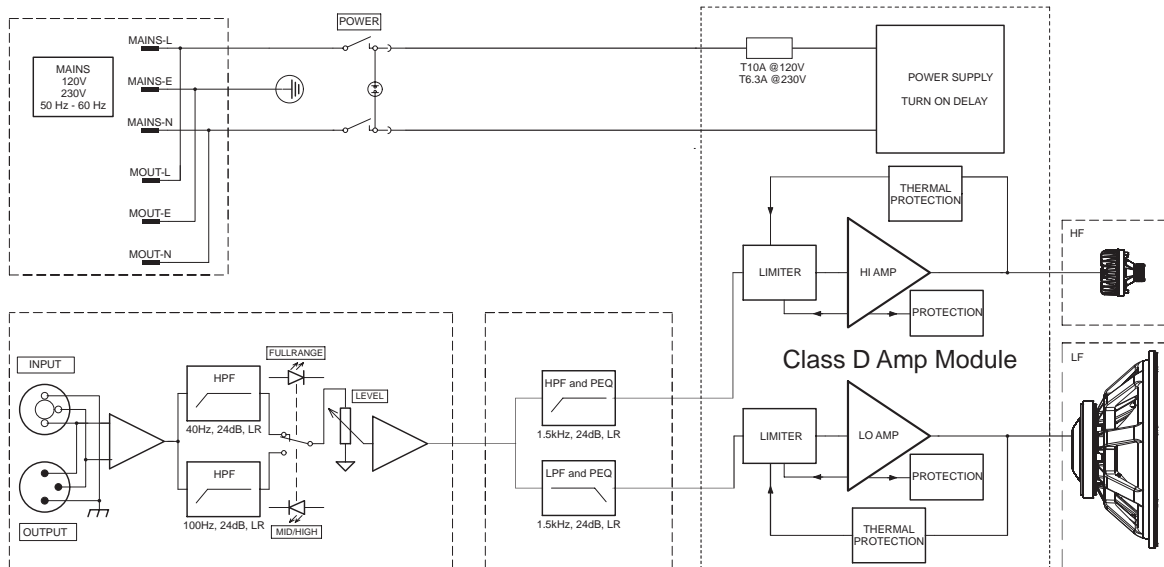
Directivity:



Vertical Off Axis Frequency Response (Down):

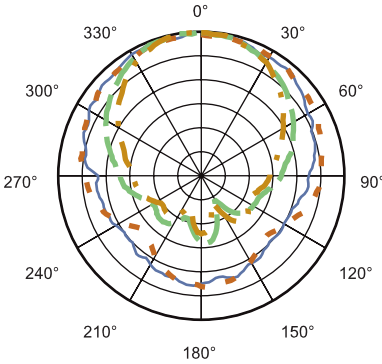


Block Diagram:

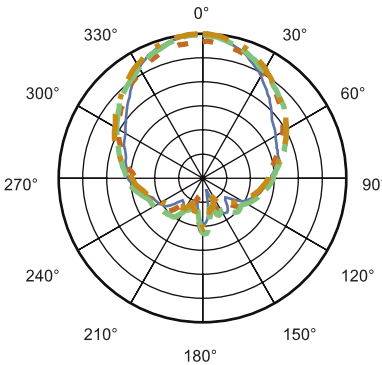
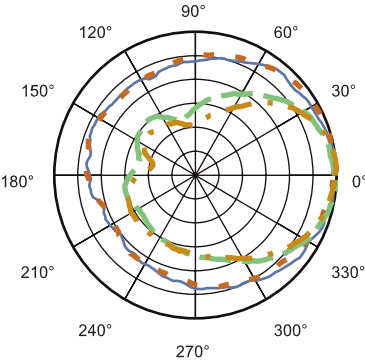


Horizontal 1/3 Octave Polars:

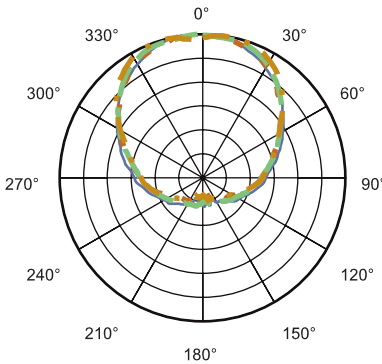
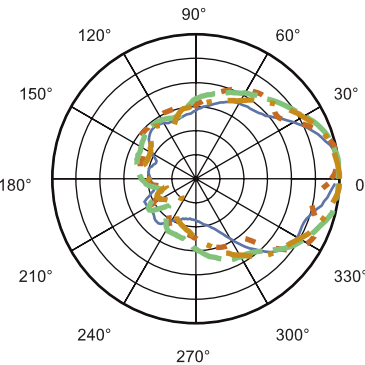
Vertical 1/3 Octave Polars:



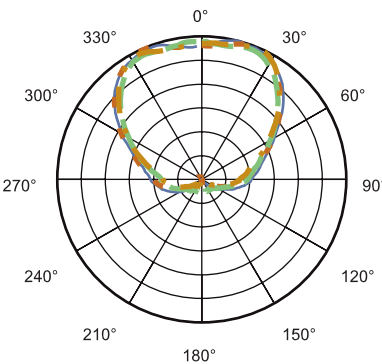
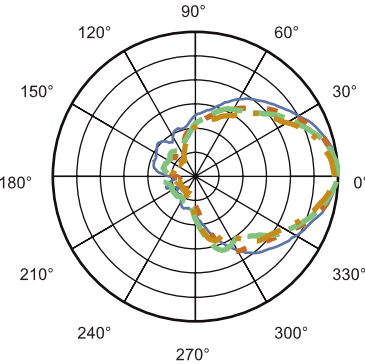
- 200 Hz
- 400 Hz
- 800 Hz
- 1000 Hz



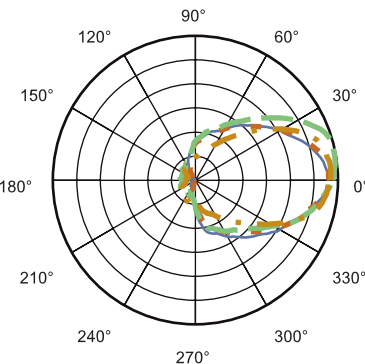
- 1250 Hz
- 1600 Hz
- 2000 Hz
- 2500 Hz



- 3150 Hz
- 4000 Hz
- 5000 Hz
- 6300 Hz

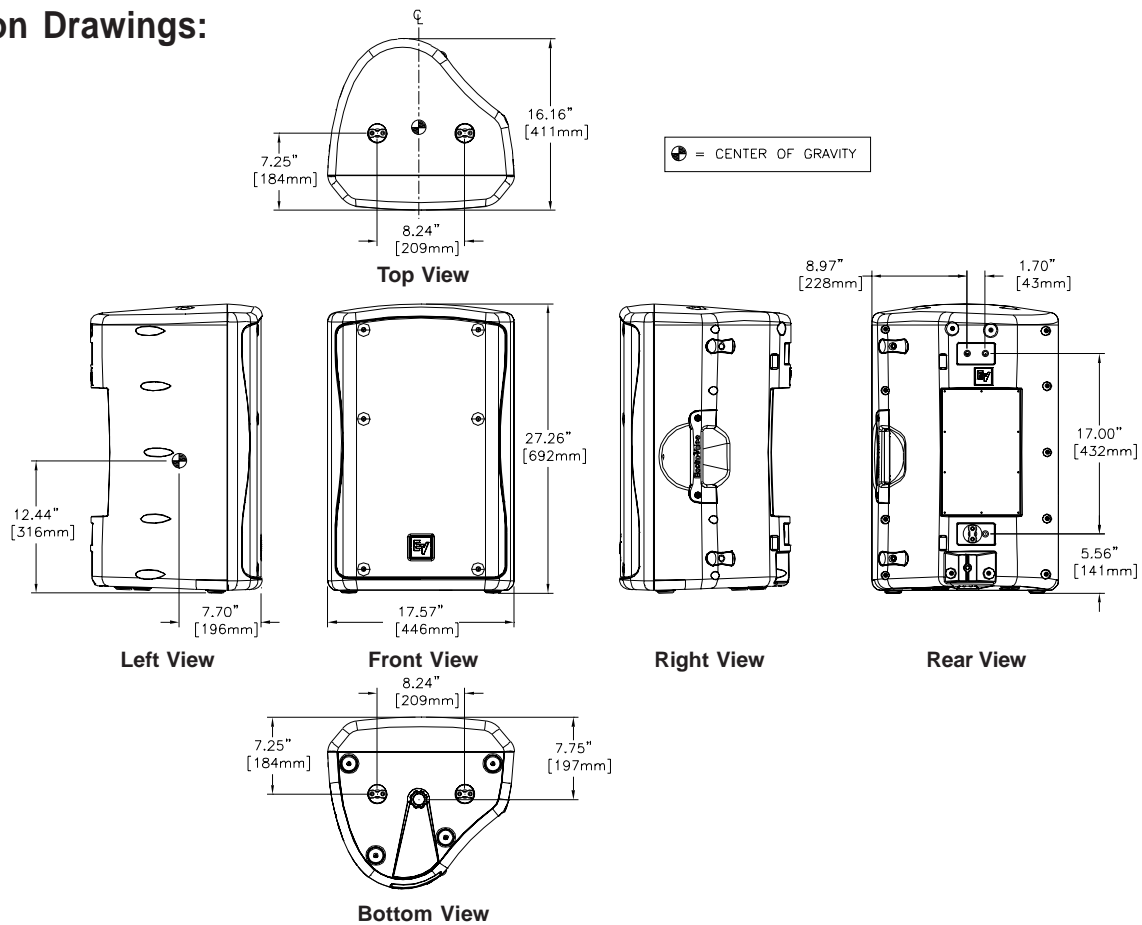


- 8000 Hz
- 10000 Hz
- 12500 Hz
- 16000 Hz



Graph scales are 6 dB per division

Dimension Drawings:



⚠ CAUTION ⚠

This ZxA5 Loudspeaker should be suspended overhead only in accordance with the procedures and limitations specified in the *ZxA5 Users Manual* and possible manual update notices. This system should be suspended with certified rigging hardware by an authorized rigging professional and in compliance with local, state, and federal overhead suspension ordinances.

ZxA5 Part Numbers

- 301859-001 - ZxA5-90B, 90° x 50° Horn, Black Finish
- 301859-002 - ZxA5-90W, 90° x 50° Horn, White Finish
- 301859-003 - ZxA5-60B, 60° x 60° Horn, Black Finish
- 301859-004 - ZxA5-60W, 60° x 60° Horn, White Finish

Performance Match

- 301506-001 Plasma P2, 120V 18" Powered Subwoofer, 800W

Accessories

- 301626-001 MB5-B, Wall/Ceiling Mounting Bracket (Black)
- 301626-002 MB5-W, Wall/Ceiling Mounting Bracket (White)
- 301625-001 CB5-B, Array Bracket Kit (Black)
- 301625-002 CB5-W, Array Bracket Kit (White)
- 301634-000 EBK-3, Forged M8 Eyebolt Kit (Set of Three)
- 301633-000 SSK-1, Single-Stud Rigging Kit (Set of Three)
- 301813-001 HDC-5, Heavy-Duty Stackable Cover, Black
- KIT000007-001 TMK-ZX, Truss Mount Kit, Includes VSA-1, TCA-1, and HA-5



12000 Portland Avenue South, Burnsville, MN 55337

Phone: 952/884-4051, Fax: 952/884-0043

www.electrovoice.com

© Telex Communications, Inc. 11/2007

Part Number 38110-442 Rev. A

U.S.A. and Canada only. For customer orders, contact Customer Service at:

800/392-3497 Fax: 800/955-6831

Europe, Africa, and Middle East only. For customer orders, contact Customer Service at:

+ 49 9421-706 0 Fax: + 49 9421-706 265

Other International locations. For customer orders, contact Customer Service at:

+ 1 952 884-4051 Fax: + 1 952 736-4212

For warranty repair or service information, contact the Service Repair department at:

800/685-2606

For technical assistance, contact Technical Support at: **866/78AUDIO**

Specifications subject to change without notice.