



The Solid-State Visual Presenter from EDIROL

The P-10 employs SD(HC) cards for direct capture and playback of video and stills. Fire-up visuals with a reliable dedicated hardware and sampler-like interface.



VISUAL PRESENTER **P-10**



- Easy/intuitive operation and affordable price.
- Supports both video (motion JPEG) and still images (JPEG).
- Directly record to or playback from SD(HC) card.
- Built-in color display for operation without external monitor.
- Slide Show function to make motion video from still pictures.
- Analog audio/video input terminal for direct capture.
- Equipped with 12 trigger pads and dedicated dials for effect controls.
- Remote controllable from external products via V-LINK.

Sleek and Compact for Portable Visual Performance Applications

FRONT PANEL



REAR PANEL



The perfect V-8 partner for the ultimate visual performance combo.

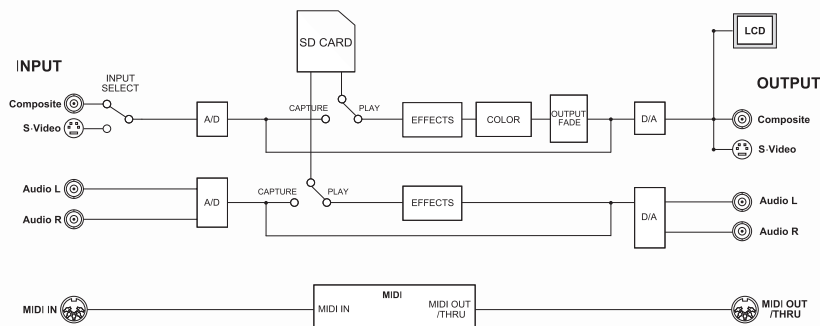
The P-10 is the perfect complement to the newly released EDIROL V-8 Eight Channel Video Mixer as a dedicated input source for video performance and playback.



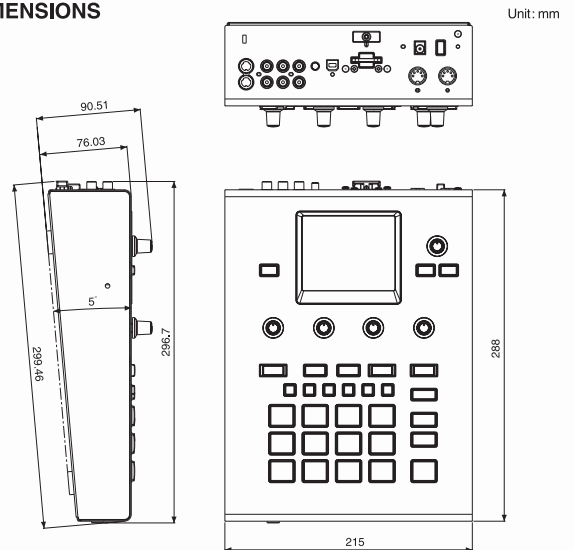
SPECIFICATIONS

Video Format	Video	NTSC or PAL	Video effectst	Movie	Repeat A<>B, Reverse, Strobe, Speed, Color, Output Fade	
	Movie	Motion JPEG (640 x 480, 30fps)		Still image	Slide Show, Strobe, Color, Output Fade	
File Format	Still image	JPEG (640 x 480)	Power Supply	DC 9V (AC Adaptor : Roland PSB-1U)		
	Audio	WAV (16-bit/44.1kHz,)		Current Draw	2A (Preliminary, AC Adaptor PSB-1U 0.4A)	
Connectors	Input	Video (Composite), S-Video, Audio (Stereo)	Dimensions		215 (W) x 300 (D) x 91 (H) mm	
	Output	Video (Composite), S-Video, Audio (Stereo)		Weight	1.9 kg	
	USB	Mass storage class			Accessories	AC Adaptor, Power Cord, SD Card (1GB), Owner's Manual
Remote Control Interfaces	MIDI IN	5-pin DIN type x 1				
	MIDI OUT/THRU	5-pin DIN type x 1				

BLOCK DIAGRAM



DIMENSIONS



EDIROL by Roland
Roland Systems Group

www.rolandsystemsgroup.net

Copyright 2008 Roland Corporation. All rights reserved.
 All specifications and appearances are subject to change without notice.

Mar. 2008 RAM-7012 GEN