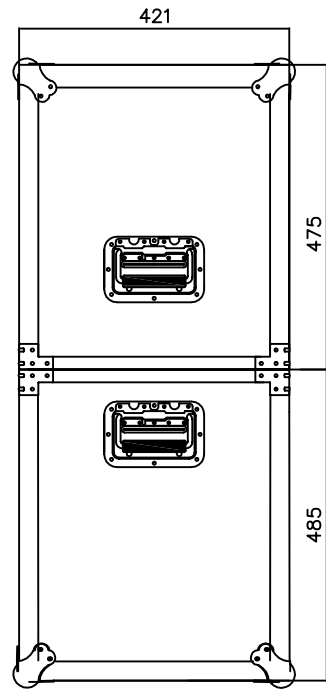


Front View



Side View

Brand :	CAYMON
Type :	FCP500
Outer Dimensions : (H x W x D)	960mm x 1442mm x 421mm
Weight :	Unknown
Plate :	9mm Multi-Layer Multiplex
Feet :	4 Rubber Feet

- * Professional transport flight case for 40"-50" plasma/LCD screen
- * Adjustable length !
Minimum Length = 903.5mm
Maximum Length = 1287mm
- * Additional foam pieces to adjust the width !
Minimum Width = 70mm
Maximum Width = 140mm
- * Removable top lid
- * Preformed inlay
- * Integrated flip handles
- * Professional butterfly latches
- * Black scratch-resistant coating
- * Aluminium finishing corners
- * Designed for use with the CAYMON FCB30 caster board

Model Nr.
FCP500

