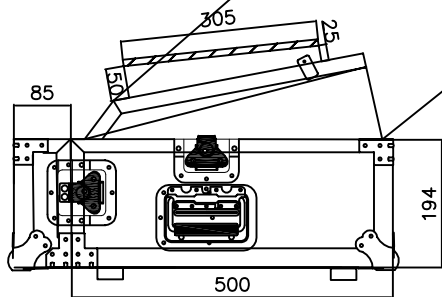
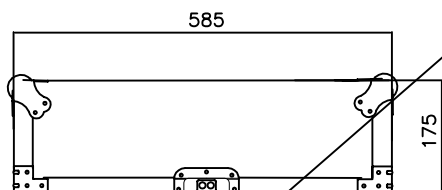
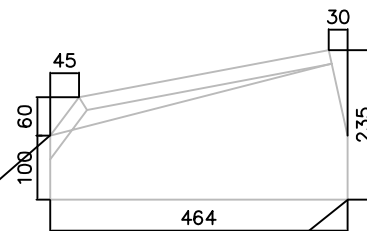
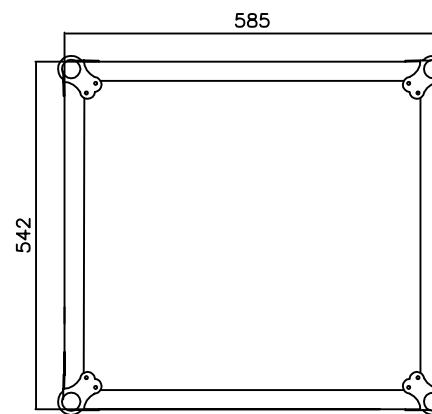


Back View



Side View



Top View

Brand :	CAYMON
Type :	FCL02
Outer Dimensions : (H x W x D)	369mm x 542mm x 585mm
Weight :	Unknown
Plate :	9mm Multi-Layer Multiplex
Inside Usable Height :	2 units + mixer on top

- * Professional flight case
- * Sliding laptop platform
- * Integrated flip handles
- * Professional butterfly latches
- * Black scratch-resistant coating
- * Aluminium finishing corners
- * Carpeted laptop platform

Model Nr.

FCL02

