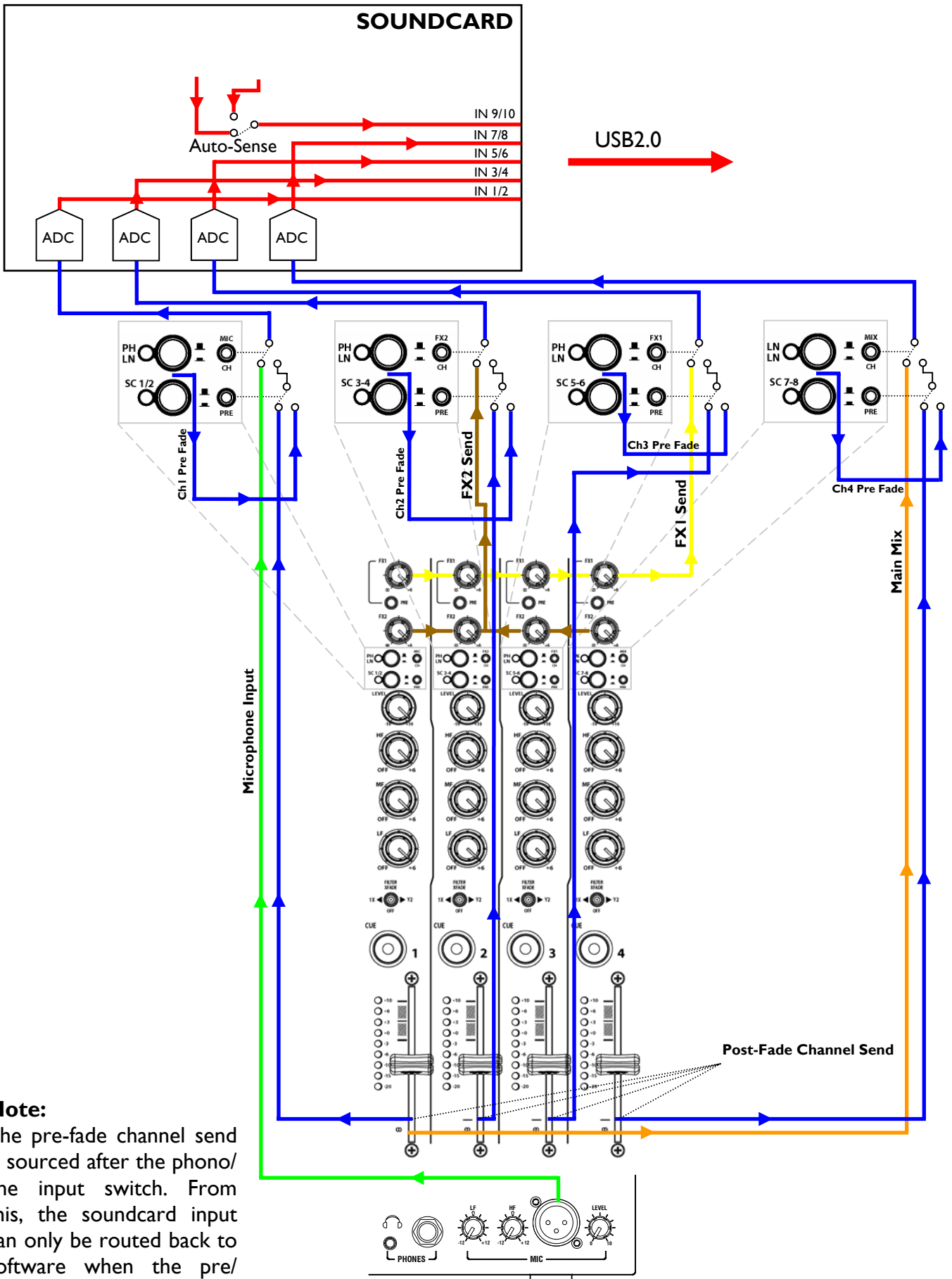


# SOUNDCARD INPUT BLOCK DIAGRAM

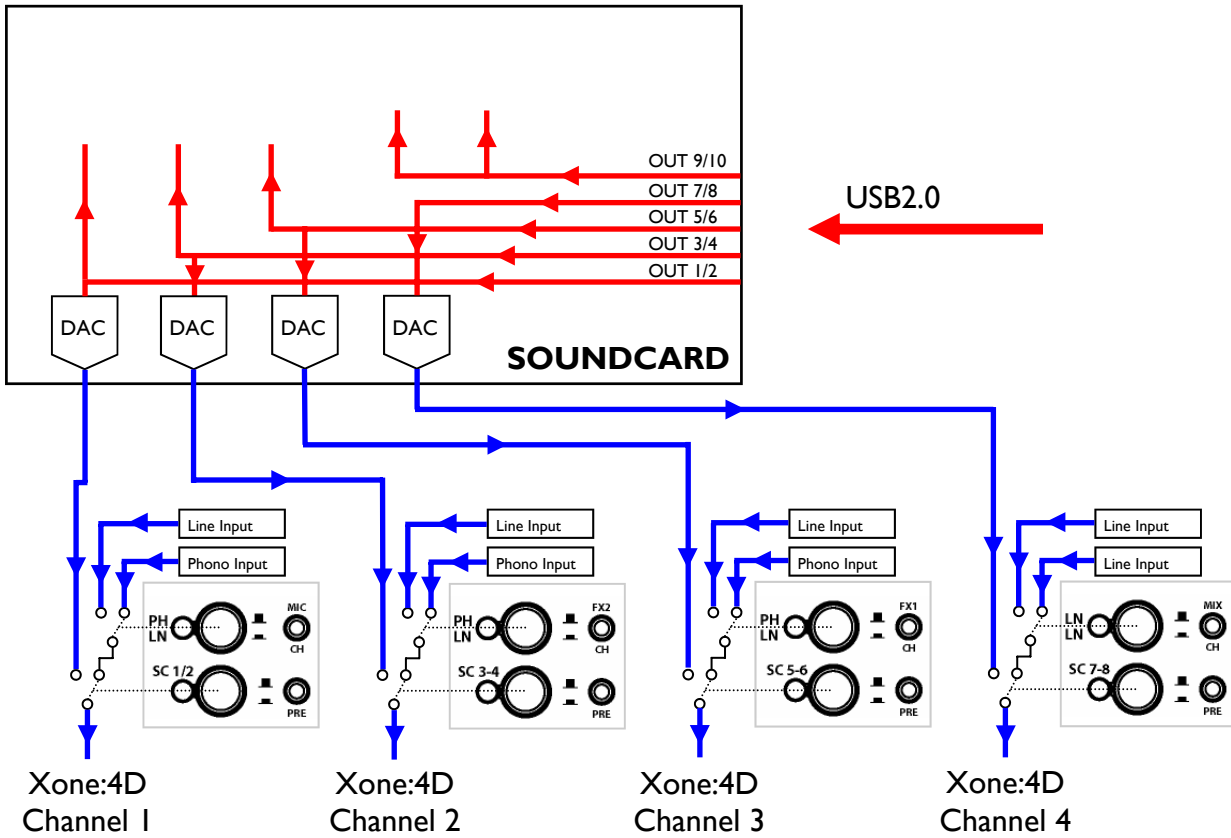


**Note:**

The pre-fade channel send is sourced after the phono/line input switch. From this, the soundcard input can only be routed back to software when the pre/post switch is set to post.

# SOUNDCARD OUTPUT / MIDI BLOCK DIAGRAM

## SOUNDCARD



## MIDI

