

## COMPACT SERIES ENGINEERING INFORMATION

**The TCX-10 is a passive loudspeaker system designed for use in a wide range of portable speech and music sound reinforcement applications.**

It consists of a 10" reflex-loaded low frequency driver and a 1" high frequency compression driver on a wide dispersion Converging Elliptical Waveguide™ in a trapezoidal reflex loaded enclosure. These high grade components are matched with an internal passive crossover network.

When permanently installed the cabinet presents a discreet appearance with no visible side handles, while for portable applications the pole mount blanking plug can be removed for use with speaker stands and poles, and a single carrying handle is provided for transportation.

When used with Turbosound Loudspeaker Management Systems, TCX loudspeakers can be controlled and monitored over a BVNet network using TurboDrive™ control software.

The TCX-10 features a 90°h x 60°v Converging

Elliptical Waveguide™, which generates a smooth wavefront while giving excellent pattern control. The Waveguide™ can be rotated through 90° within the cabinet, so allowing a swap of the horizontal and vertical dispersion patterns. This feature is especially useful to retain the wide horizontal dispersion when mounting the cabinet horizontally in venues where ceiling height is limited.

The trapezoidal cabinet includes internal rigging points for use with wall and ceiling brackets, and provides compatibility with OmniMount™ loudspeaker mounting brackets. Constructed from 5/8" (15mm) birch plywood, the cabinet is available in black or white textured paint as standard. A perforated steel mesh grille protects the drive units from damage.

The rear connector panel provides two Speakon NL4 connectors for input and loop-out functions, wired in parallel with a 4-way barrier strip connector.



### FEATURES

**Converging Elliptical Waveguide™**

**Rotatable HF horn**

**Pole mount socket**

**Internal rigging points**

**OmniMount™ compatible**

**Speakon NL4 and barrier strip connectors**

**EASE GLL file supported**

### APPLICATIONS

**Mobile DJ**

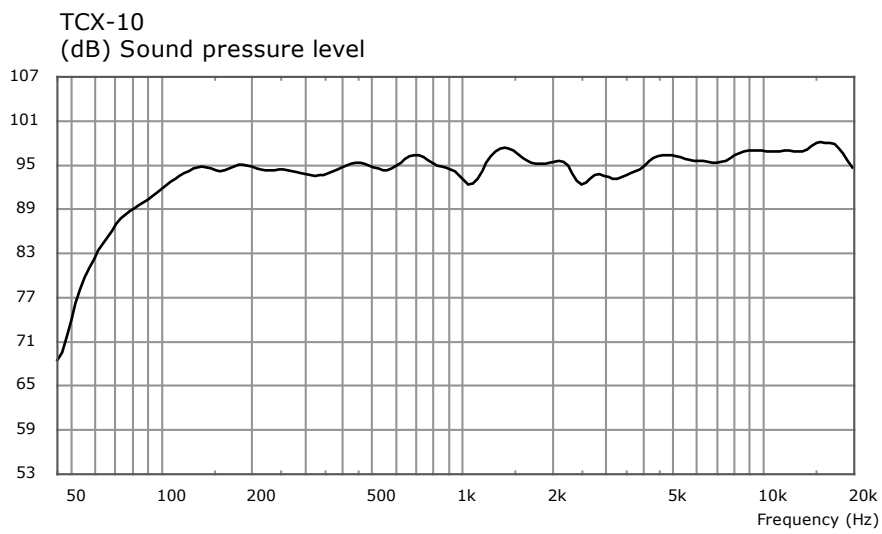
**Corporate / industrial**

**House of Worship**

**Live music venues**

<b>DIMENSIONS (HxWxD)</b>	488mm x 370mm x 332mm (19.2" x 14.6" x 13.1")	
<b>NET WEIGHT</b>	13.5kg (29.7lbs)	
<b>COMPONENTS</b>	1 x 10" (254mm) LF driver, 1 x 1" (25mm) HF driver on a Converging Elliptical Waveguide™	
<b>FREQUENCY RESPONSE</b>	68Hz - 20kHz ±10dB, 100Hz - 20kHz ±3dB	
<b>NOMINAL DISPERSION</b>	90°H x 60°V @ -6db points	
<b>POWER HANDLING</b>	250 watts continuous, 500 watts program	
<b>SENSITIVITY</b>	95dB, 1w @ 1m	
<b>MAXIMUM SPL</b>	119dB continuous, 125dB peak	
<b>NOMINAL IMPEDANCE</b>	8 ohms	
<b>CROSSOVER</b>	2k5Hz	
<b>CONSTRUCTION</b>	15mm (5/8") birch plywood	
<b>FINISH</b>	Black or white textured paint	
<b>GRILLE</b>	Powder coated perforated mild steel	
<b>CONNECTORS</b>	(2) Neutrik Speakon NL4MP wired pin 1+: positive, pin 1-: negative, pins 2+ and 1- N/C (1) 4-way barrier strip connector	
<b>FLYING HARDWARE</b>	(13) M10 internal rigging points for eyebolts and Turbosound brackets (4) M8 internal rigging points for OmniMount™ brackets	
<b>SPARES AND ACCESSORIES</b>	LS-1027	10" LF loudspeaker
	RC-1027	Recone kit
	CD-120	1" compression driver
	RD-120	Replacement diaphragm
	TCX-002	Passive crossover
	WB-55	Wall bracket
	CB-55	Ceiling bracket
	SB-10	Swivel bracket
	PB-55	Pole bracket
	PA-90	Speaker pole 90cm
	PA-100	Speaker pole 100cm

**FREQUENCY  
RESPONSE**



**INSTALLATION  
HARDWARE**

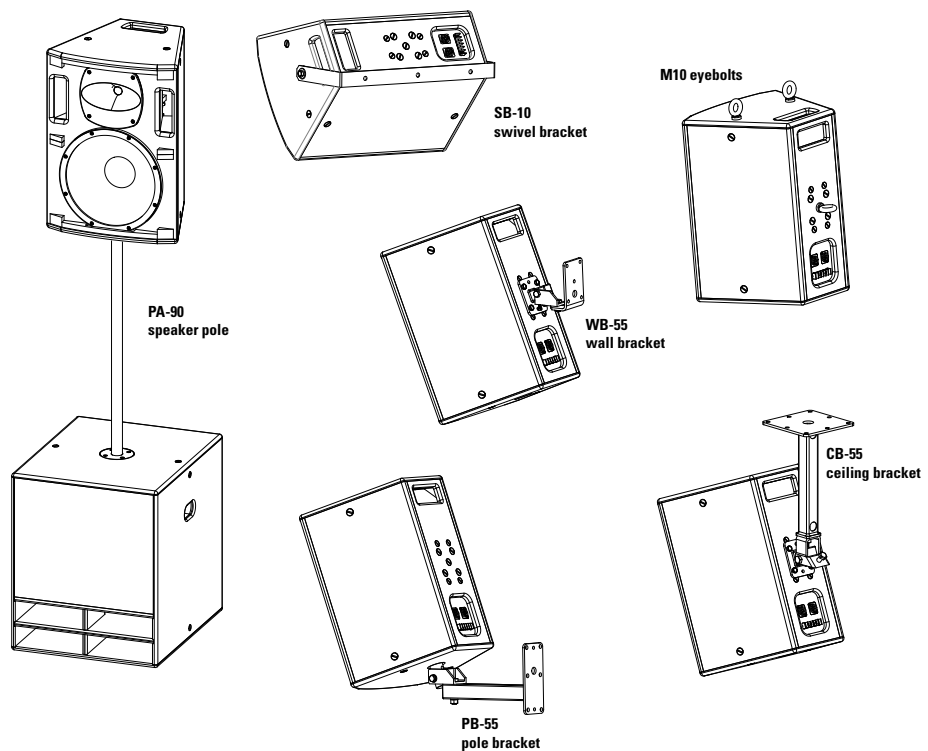
TCX loudspeakers are equipped with multiple internal rigging points which can be used to permanently install the cabinets in a variety of ways.

Turbosound wall and ceiling brackets couple with the rigging points on the rear panel of the cabinet and are fully adjustable both horizontally and vertically. The rear panel also provides rigging points for use with OmniMount™ wall and ceiling brackets.

A swivel bracket provides a simple method of wall mounting the cabinet with fully adjustable downward angle.

The universal PB-55 pole bracket provides an additional method of wall mounting TCX series cabinets that are equipped with a pole mount socket.

TCX cabinets can also be simply suspended using shoulder eyebolts attached to the rigging points on the top of the cabinet, with the centre rigging point on the rear panel being used as a pull-back.



**ARCHITECTURAL  
& ENGINEER'S  
SPECIFICATIONS**

The system shall be of the passive two-way loudspeaker type consisting of one 10" (254mm) LF driver and one 1" (25mm) HF driver on a rotatable Converging Elliptical Waveguide™. Performance specifications of a typical production unit shall meet or exceed the following: Frequency response, measured with swept sine wave input, shall be flat within  $\pm 10$ dB from 68Hz to 20kHz, and within  $\pm 3$ dB from 100Hz to 20kHz. Nominal dispersion, at -6dB points, shall average 90°H x 60°V. Power handling shall be 250 watts continuous, 500 watts program. Maximum SPL (peak) measured with music program at stated amplifier input shall be 125dB. Dimensions: 488mmH x 370mmW x 332mmD (19.2"H x 14.6"W x 13.1"D). Weight: 13.5kg (29.7lbs). The loudspeaker system shall be the Turbosound TCX-10. No other loudspeaker shall be acceptable unless submitted data from an independent test laboratory verify that the above combined performance / size specifications are equalled or exceeded.

**DIMENSIONS**

