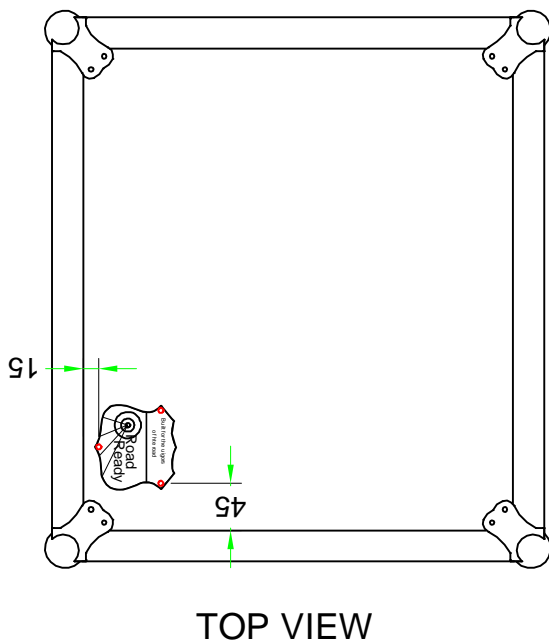
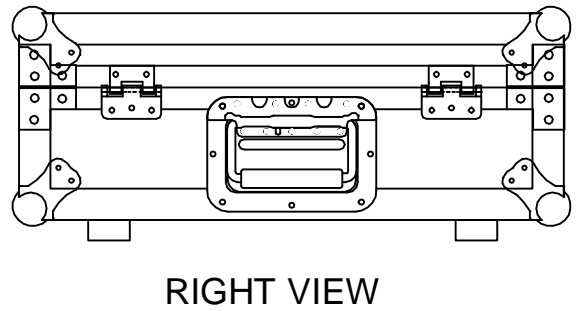
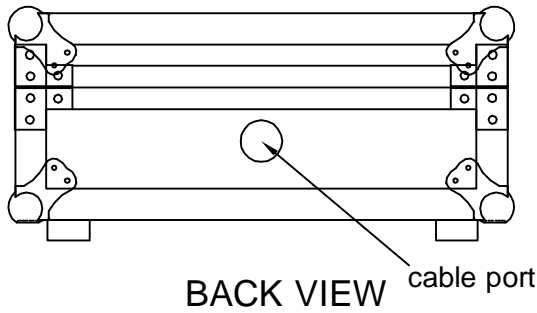
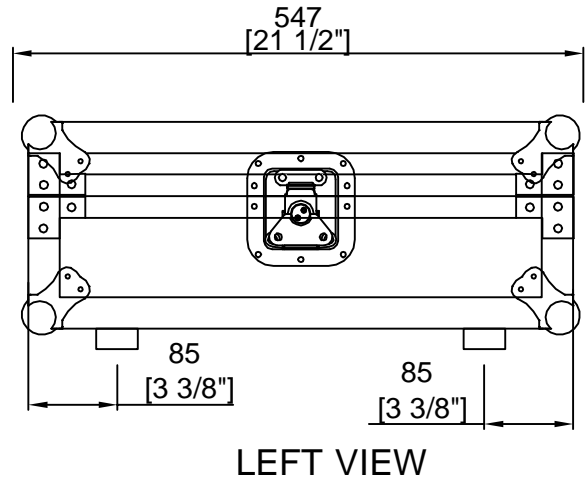
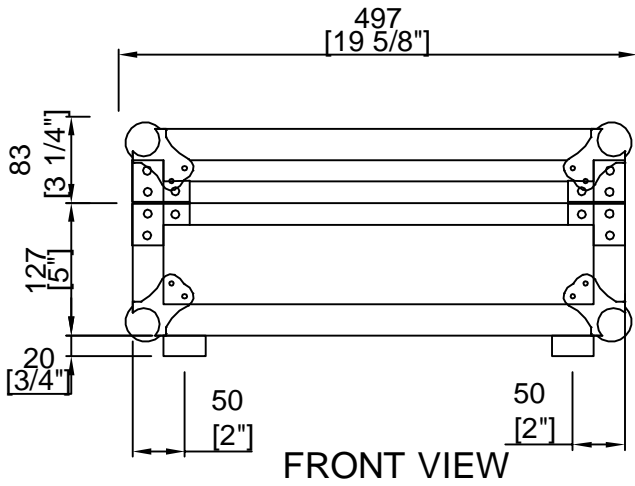



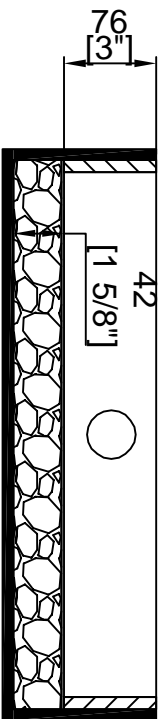
RRDJM2000



PIONEER DJM2000 MIXER:
16.9 in (W) × 16.1 in (D) × 4.3 in (H)

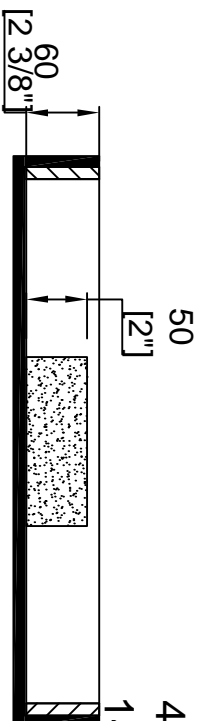
	SKU: RRDJM2000	BY: ROAD READY CASES
	UPC: NA	
APPROVAL SIGNATURE: _____		DATE: _____
DRAWING DATE: 03 / 22 / 2010	SCALE: 1:7	DRAWING NUMBER: 1/2
		REVISION: NA

RRDJM2000



C-C VIEW

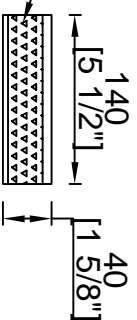
40mm EPE foam w/2mm grey carpet



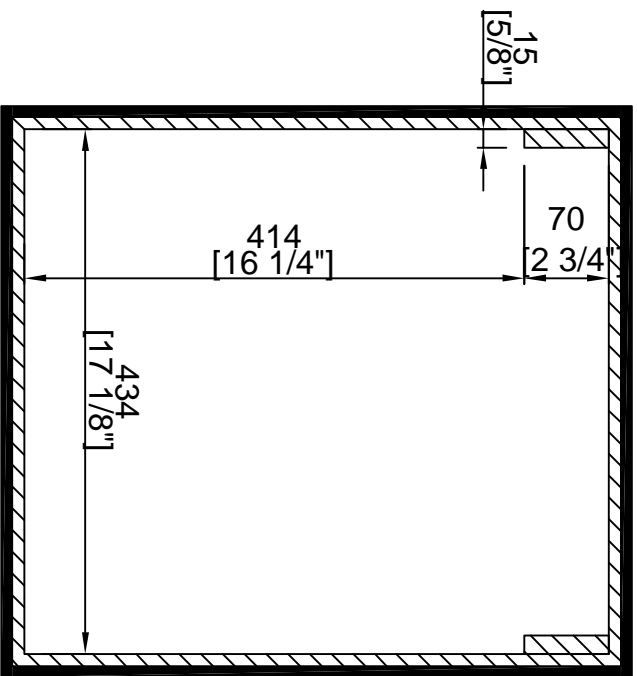
A-A VIEW

10mm EVA foam on sides

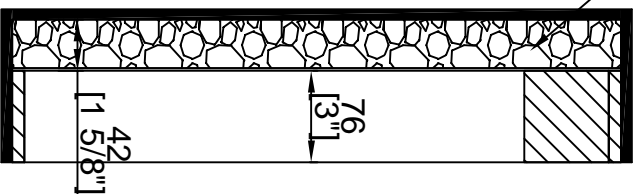
w/ velcro



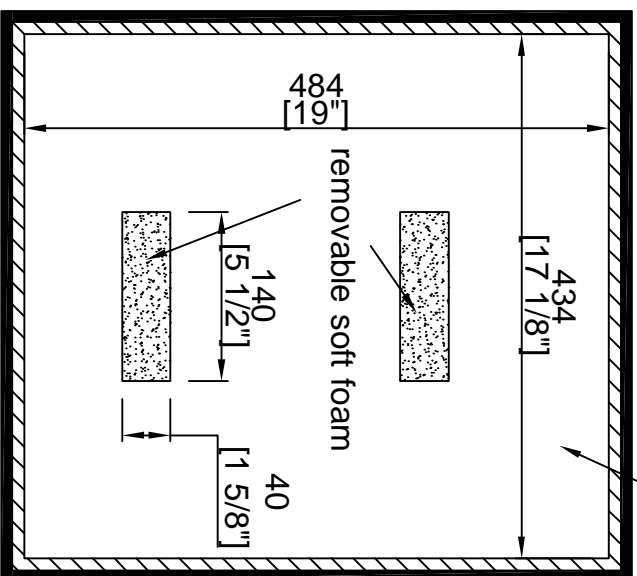
40mm soft foam:
140X50 (x2pcs)



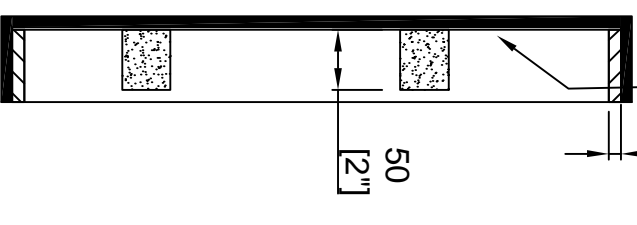
TOP VIEW OF BASE



D-D VIEW



TOP VIEW OF COVER



B-B VIEW

grey carpet
10
[3/8"]

50
[2"]

removable soft foam

484
[19"]

140
[5 1/2"]

40
[1 5/8"]

434
[17 1/8"]


434
[17 1/8"]

70
[2 3/4"]

414
[16 1/4"]

434
[17 1/8"]

15 5/8"



SKU : RRDJM2000

UPC : NA

APPROVAL SIGNATURE : _____

DATE : _____

B'Y: ROAD READY CASES

DRAWING DATE : 03/22 / 2010

SCALE : 1:6

DRAWING NUMBER : 2/2

REVISION : NA