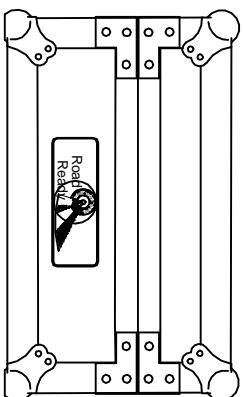
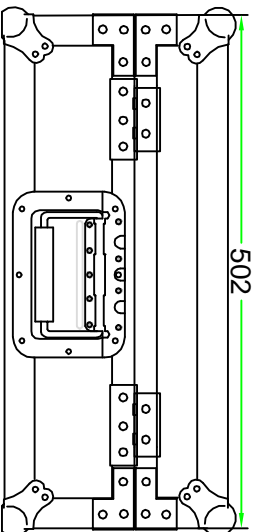


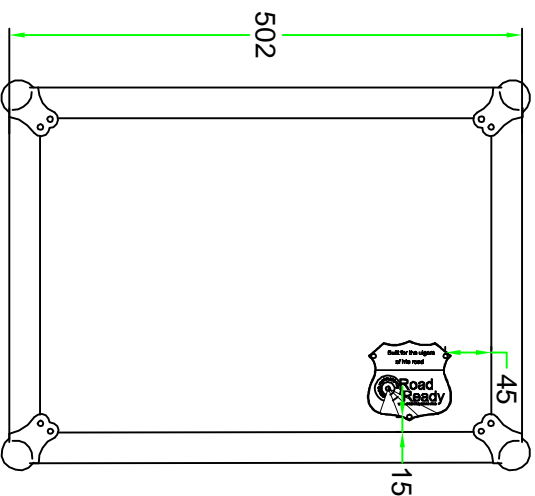
RRCDJ2000



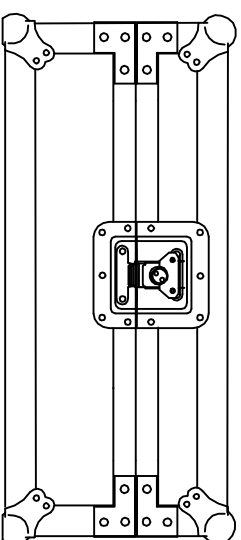
BACK VIEW



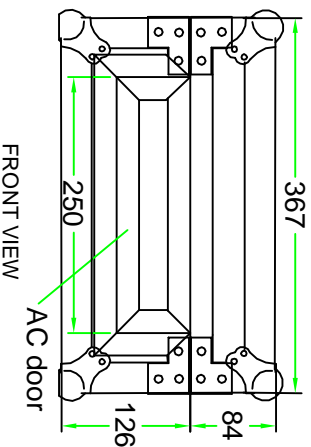
LEFT VIEW



TOP VIEW



RIGHT VIEW



FRONT VIEW



SKU: RRCDJ2000

UPC: NA

APPROVAL SIGNATURE: _____

BY: ROAD READY CASES

DATE: _____

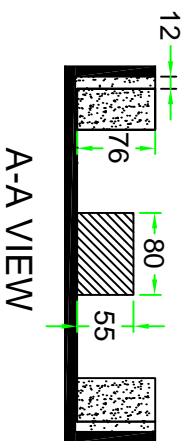
DRAWING DATE: 12 / 02 / 2009

SCALE: 1:7

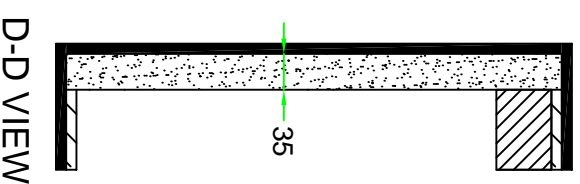
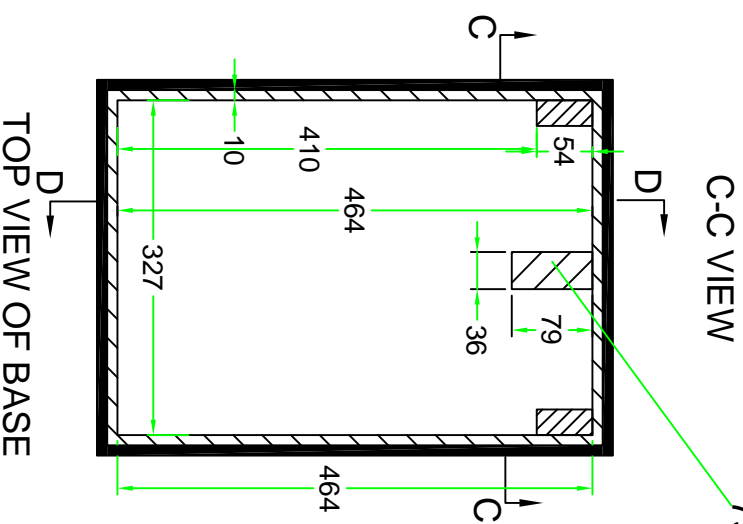
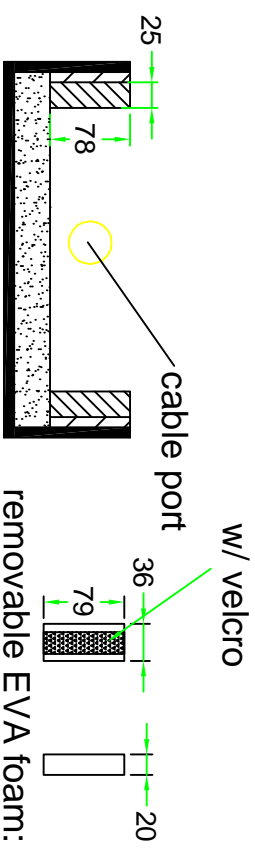
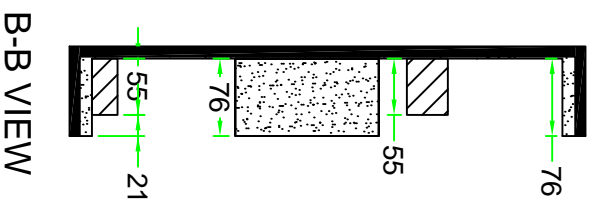
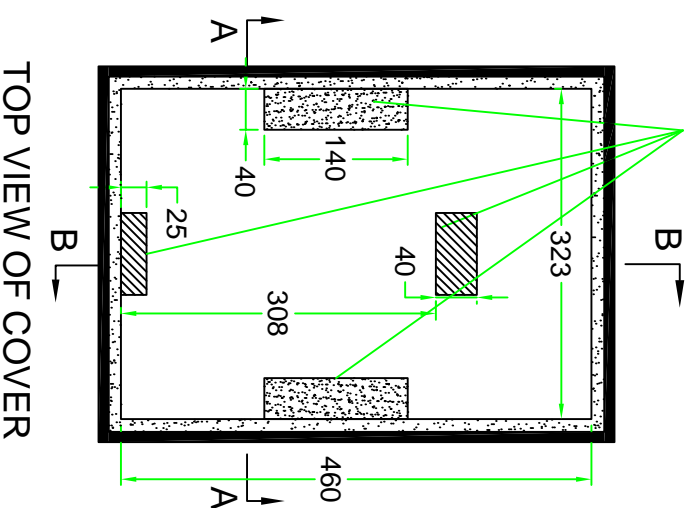
DRAWING NUMBER: 1/2

REVISION: 2

RRCDJ2000



removable foam



SKU: RRCDJ2000 BY: ROAD READY CASES
 UPC: NA
 APPROVAL SIGNATURE: DATE:

DRAWING DATE: 12/02/2009 SCALE: 1:7 DRAWING NUMBER: 2/2 REVISION: 2