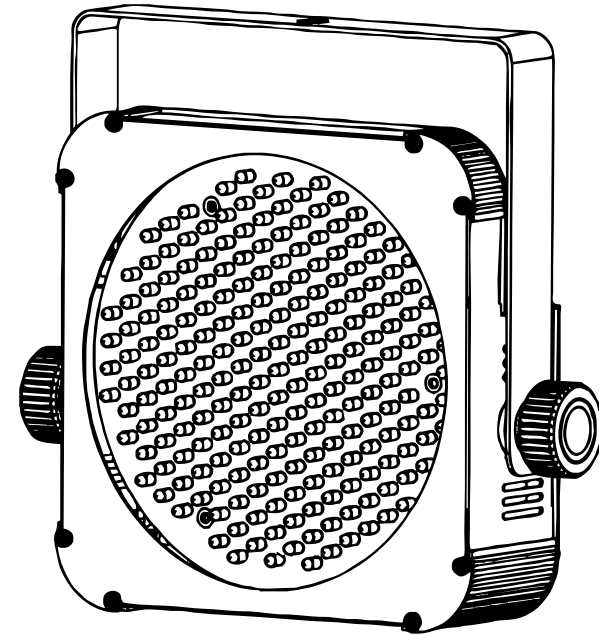


LED-UV212

black light



Operation Manual EN
Mode d'emploi FR
Gebruiksaanwijzing NL
Bedienungsanleitung DE
Manual de instrucciones ES

WWW.BEGLEC.COM

Copyright © 2010 by BEGLEC NV

't Hofveld 2C ~ B1702 Groot-Bijgaarden ~ Belgium

Reproduction or publication of the content in any manner, without express permission of the publisher, is prohibited.



Version: 1.0





EN - DISPOSAL OF THE DEVICE

Dispose of the unit and used batteries in an environment friendly manner according to your country regulations.

FR - DÉCLASSER L'APPAREIL

Débarrassez-vous de l'appareil et des piles usagées de manière écologique Conformément aux dispositions légales de votre pays.

NL - VERWIJDEREN VAN HET APPARAAT

Verwijder het toestel en de gebruikte batterijen op een milieuvriendelijke manier conform de in uw land geldende voorschriften.

DU - ENTSORGUNG DES GERÄTS

Entsorgen Sie das Gerät und die Batterien auf umweltfreundliche Art und Weise gemäß den Vorschriften Ihres Landes.

ES - DESHACERSE DEL APARATO

Reciclar el aparato y pilas usadas de forma ecologica conforme a las disposiciones legales de su pais.

PT - COMO DESFAZER-SE DA UNIDADE

Tente reciclar a unidade e as pilhas usadas respeitando o ambiente e em conformidade com as normas vigentes no seu país.

OPERATION MANUAL

Thank you for buying this JB Systems® product. To take full advantage of all possibilities and for your own safety, please read these operating instructions very carefully before you start using this unit.

FEATURES

This unit is radio-interference suppressed. This product meets the requirements of the current European and national guidelines. Conformity has been established and the relevant statements and documents have been deposited by the manufacturer.

- This device was designed to produce decorative effect lighting and is used in light show systems.
- Super compact LED UV-projector containing 212 high-power 5mm UV-LEDs (black light)
- The audio and strobe modes create amazing effects, impossible to obtain with traditional black-lights!
- Beam angle = 15° (narrow spot)
- Many applications possible: Discotheques, DJs, exhibition booths, homes, ...
- Can be fixed in ALU-truss using a standard clamp
- Can be used as floor projector, under any possible projection angle
- Super compact housing, perfect for hiring companies!
- Different working modes:
 - Standalone: constant output or beat synchronized output for amazing black light effects!
 - Master/slave mode: several units can be used together for wonderful, music synchronized black light effects. (optional CA-8 controller possible)
 - DMX-controlled: 2modes, 1channel (on/off), 2channel (off, variable strobe, music controlled, dimmer)
- Different ways to set DMX start address:
 - Fast remote DMX addressing using any standard DMX-controller
 - In master/slave mode you can address all units just by pushing 1 button
- IEC mains inputs of several units can be daisy chained.

BEFORE USE

- Before you start using this unit, please check if there's no transportation damage. Should there be any, do not use the device and consult your dealer first.
- **Important:** This device left our factory in perfect condition and well packaged. It is absolutely necessary for the user to strictly follow the safety instructions and warnings in this user manual. Any damage caused by mishandling is not subject to warranty. The dealer will not accept responsibility for any resulting defects or problems caused by disregarding this user manual.
- Keep this booklet in a safe place for future consultation. If you sell the fixture, be sure to add this user manual.

Check the contents:

Check that the carton contains the following items:

- Operating instructions
- LED-UV212
- Hanging bracket
- 2 Knobs to fasten the hanging bracket

SAFETY INSTRUCTIONS:



CAUTION
RISK OF ELECTRIC SHOCK
DO NOT OPEN



CAUTION: To reduce the risk of electric shock, do not remove the top cover. No user-serviceable parts inside. Refer servicing to qualified service personnel only.



The lightning flash with arrowhead symbol within the equilateral triangle is intended to alert the user or the presence of un-insulated "dangerous voltage" within the product's enclosure that may be of sufficient magnitude to constitute a risk of electric shock.



The exclamation point within the equilateral triangle is intended to alert the user to the presence of important operation and maintenance (servicing) instructions in the literature accompanying this appliance.



This symbol means: indoor use only



This symbol means: Read instructions



This symbol means: Safety Class I appliance



This symbol determines: the minimum distance from lighted objects. The minimum distance between light-output and the illuminated surface must be more than 0,5 meters



The device is suitable for mounting on standard flammable surfaces. Standard flammable surfaces include building materials such as wood and wood-based materials more than 2mm thick.

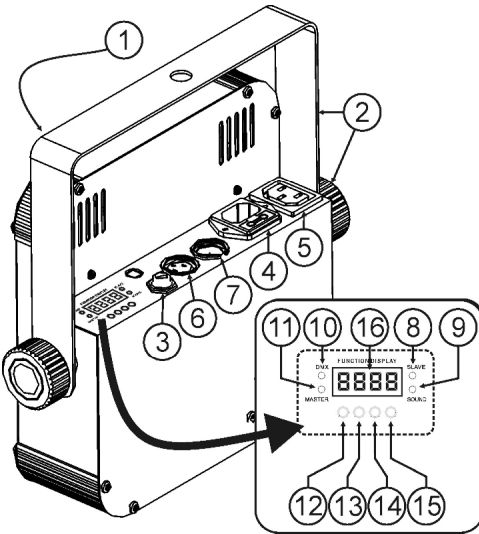
- To protect the environment, please try to recycle the packing material as much as possible.
- A new light effect sometimes causes some unwanted smoke and/or smell. This is normal and disappears after some minutes.
- To prevent fire or shock hazard, do not expose this appliance to rain or moisture.
- To avoid condensation to be formed inside, allow the unit to adapt to the surrounding temperatures when bringing it into a warm room after transport. Condense sometimes prevents the unit from working at full performance or may even cause damages.
- This unit is for indoor use only.
- Don't place metal objects or spill liquid inside the unit. Electric shock or malfunction may result. If a foreign object enters the unit, immediately disconnect the mains power.
- Locate the fixture in a well ventilated spot, away from any flammable materials and/or liquids. The fixture must be fixed at least 50cm from surrounding walls.
- Don't cover any ventilation openings as this may result in overheating.
- Prevent use in dusty environments and clean the unit regularly.
- Keep the unit away from children.
- Inexperienced persons should not operate this device.
- Maximum save ambient temperature is 40°C. Don't use this unit at higher ambient temperatures.
- Make sure the area below the installation place is free from unwanted persons during rigging, de-rigging and servicing.
- Always unplug the unit when it is not used for a longer time or start servicing.
- The electrical installation should be carried out by qualified personal only, according to the regulations for electrical and mechanical safety in your country.
- Check that the available voltage is not higher than the one stated on the rear panel of the unit.
- The power cord should always be in perfect condition. Switch the unit immediately off when the power cord is squashed or damaged. It must be replaced by the manufacturer, its service agent or similarly qualified persons in order to avoid a hazard.
- Never let the power-cord come into contact with other cables!
- This fixture must be earthed in order to comply with safety regulations.
- Don't connect the unit to any dimmer pack.
- Always use an appropriate and certified safety cable when installing the unit.
- In order to prevent electric shock, do not open the cover. Apart from the lamp and mains fuse there are no user serviceable parts inside.
- **Never** repair a fuse or bypass the fuse holder. **Always** replace a damaged fuse with a fuse of the same type and electrical specifications!
- In the event of serious operating problems, stop using the fixture and contact your dealer immediately.

- The housing and the lenses must be replaced if they are visibly damaged.
- Please use the original packing when the device is to be transported.
- Due to safety reasons it is prohibited to make unauthorized modifications to the unit.

Important: Never look directly into the light source! Don't use the effect in the presence of persons suffering from epilepsy.

DESCRIPTION:

1. Front with hard plastic cover to protect the 5mm LEDs.
2. Hanging bracket with knobs on both sides to fasten the unit and a mounting hole to fix a mounting hook.
3. ¼" jack used to connect the optional CA-8 controller
4. Mains input with IEC socket and integrated fuse holder, connect the supplied mains cable here.
5. Mains output with IEC socket: you can use a special IEC power cable to connect this output with the mains input of the next LED-UV212 for easier linking. (max 40 units can be linked)
6. DMX-output connector
7. DMX-input connector
8. Slave LED: is lit when the unit is in slave mode
9. Sound LED: blinks to the rhythm of the music while the unit is in audio mode
10. DMX LED: is lit when the unit receives a DMX-signal
11. Master LED: is lit when the unit is switched as master
12. MENU button: used to select the different menu items
13. DOWN button: to go back in the menu and to lower the values shown on the display.
14. UP button: to go up in the menu and to increase the values shown on the display.
15. ENTER button: used to confirm your choice.
16. DISPLAY shows the various menus and the selected functions.



ELECTRICAL INSTALLATION

Important: The electrical installation should be carried out by qualified personal only, according to the regulations for electrical and mechanical safety in your country.

Electrical installation for 1 standalone unit:

- Insert the mains cable. The unit starts working immediately in the last selected stand-alone mode.
- Refer to chapter HOW TO SETUP to learn how to switch between static and sound mode.

Remark: You can connect a CA-8 remote controller to the unit if you want to have more control.

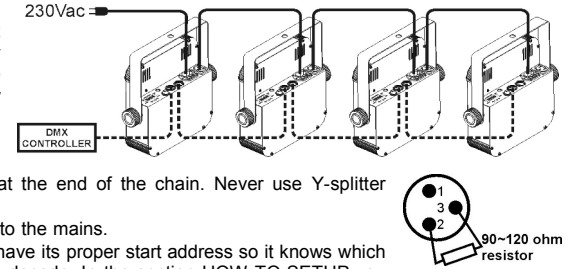
Electrical installation for two or more units in master/slave:

- Connect 2 to maximum 16 units together using good quality balanced microphone cables. The unit that has no cable connected to its DMX-input is the "master", the others are the slave units.
- Make sure that all units are connected to the mains.
- Refer to chapter HOW TO SETUP for more information.
- Done!

Remark: You can connect a CA-8 remote controller to the master unit if you want to have more control over the master/slave operation.

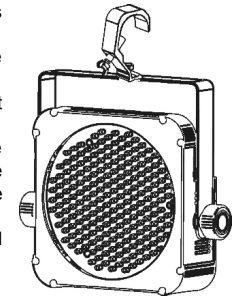
Electrical installation for two or more units in DMX-mode:

- The DMX-protocol is a widely used high speed signal to control intelligent light equipment. You need to "daisy chain" your DMX controller and all the connected units with a good quality balanced cable.
- To prevent strange behavior of the light effects, due to interferences, you must use a 90Ω to 120Ω terminator at the end of the chain. Never use Y-splitter cables, this simply won't work!
- Make sure that all units are connected to the mains.
- Each light effect in the chain needs to have its proper start address so it knows which commands from the controller it has to decode. In the section HOW TO SETUP you will learn how to set the DMX addresses. Remember that each projector uses 1 or 2 channels, a possible address setup for 2ch mode could be: unit1 = 001 ~ unit2 = 003 ~ unit3 = 005 ~ unit4 = 007 ~ etc.



OVERHEAD RIGGING

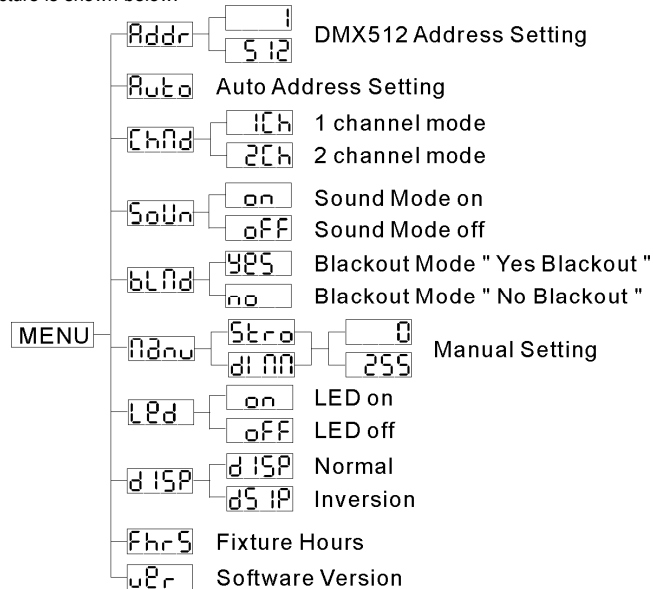
- **Important:** The installation must be carried out by qualified service personal only. Improper installation can result in serious injuries and/or damage to property. Overhead rigging requires extensive experience! Working load limits should be respected, certified installation materials should be used, the installed device should be inspected regularly for safety.
- Make sure the area below the installation place is free from unwanted persons during rigging, de-rigging and servicing.
- The device should be installed out of reach of people and outside areas where persons may walk by or be seated.
- Before rigging make sure that the installation area can hold a minimum point load of 10times the device's weight.
- Always use a certified safety cable that can hold 12times the weight of the device when installing the unit. This secondary safety attachment should be installed in a way that no part of the installation can drop more than 20cm if the main attachment fails.
- The device should be well fixed; a free-swinging mounting is dangerous and may not be considered!
- Don't cover any ventilation openings as this may result in overheating.
- The operator has to make sure that the safety-relating and machine-technical installations are approved by an expert before using them for the first time. The installations should be inspected every year by a skilled person to be sure that safety is still optimal.



HOW TO SETUP:

MAIN MENU:

- To select any of the menu options, press the **MENU** button up to when the required option is shown on the display.
 - Select the function with the **ENTER** button. The display will blink.
 - Use DOWN and UP button to choose the desired menu option.
 - Once the required menu option is selected, press the **ENTER** button to select.
- Remark: Press the **MENU** button for about 2 seconds to return to running mode or just wait 8 seconds.
The menu structure is shown below.



Addr DMX512 Address Setting

Used to set the start address in a DMX setup, you can also automatically program the next LED-UV212 projectors in the same DMX-chain.

Program a DMX start address in 1 unit:

- Press the MENU button until **Addr** is shown on the display.
- Press the ENTER button to select.
- Use DOWN and UP buttons to change the DMX512 address.
- Once the correct address shows on the display, press the ENTER button to confirm.
- Press the MENU button for about 2 seconds to return to running mode.

Automatically program the DMX start addresses of several units in a DMX-chain:

- Connect the DMX in/outputs of all projectors together and switch them all on
- On the first unit in the chain:
 - Set the DMX-starts address as described above.
 - After this, press the MENU button until **Auto** is shown on the display.
 - Press the ENTER button to start the automatic programming → all units flash one time to indicate that the addresses are automatically set, starting from the address programmed in the first unit.
 - Press the MENU button on the first unit for about 2 seconds to return to running mode.

Example: the first projector was set to DMX-address 100 → when you perform the automatic addressing, the other projectors in the DMX-chain will receive addresses: 104, 106, 108, 110, ... (given that the units are in 2ch mode)

Chnd Channel Mode

The unit has 2 different channel modes. Refer to the DMX-chart to see the differences.

- Press the MENU button until **Chnd** is shown on the display.
- Press the ENTER button to select.
- Use DOWN and UP button to select one of the available channel modes.
- Once the mode is selected, press the ENTER button to confirm.
- Press the **MENU** button for about 2 seconds to return to running mode.

Sound Sound Mode

Used to choose the desired sound mode to trigger the shows.

- Press the MENU button until **Sound** is shown on the display.
- Press the ENTER button to select.
- Use DOWN and UP button to select one of the available modes:
 - on** (sound mode ON) → the shows are triggered by the internal microphone.
 - off** (sound mode OFF) → the shows are triggered by the speed selected with the shows.
- Once the right mode is selected, press the ENTER button to confirm.
- Press the **MENU** button for about 2 seconds to return to running mode.

blnd Blackout Mode

Blackout mode: when no DMX-signal is detected, the unit goes in blackout.

No blackout mode: when no DMX-signal is detected, the unit automatically switches to master mode.

ALWAYS set to "No Blackout" when the unit is used in standalone or master (master/slave) mode!!!

- Press the MENU button until **blnd** is shown on the display.
- Press the ENTER button.
- Use DOWN and UP button to select **YES** (blackout) or **NO** (no blackout) mode.
- Once the mode is selected, press the ENTER button to confirm.
- Press the **MENU** button for about 2 seconds to return to running mode.

strobe Blackout Mode

When the unit is used in standalone mode, you can manually set the strobe and dimmer function.

- Press the MENU button until **strobe** is shown on the display.
- Press the ENTER button to select.
- Use DOWN and UP button to select one of the 2 available options:
 - Select **stro** to select the strobe speed and press ENTER to confirm: use the DOWN and UP buttons to set the value between 000 (no strobe) and 255 (very fast strobe). Confirm with the ENTER button.
 - Select **dim** to select the dimmer setting and press ENTER to confirm: use the DOWN and UP buttons to set the value between 000 (no output) and 255 (maximum output). Confirm with the ENTER button.
- Once both parameters are set, press the MENU button for about 2 seconds to return to running mode.

LED Led Display

Display on: display is always on.

Display off: display is off when not used.

- Press the MENU button until the display shows **LED**.
- Press the ENTER button.
- Use DOWN and UP buttons to select **on** (display always on) or **off** (display off when not used).
- Once the mode is selected, press the ENTER button to confirm.
- Press the **MENU** button for about 2 seconds to return to running mode.

DISP Display Inversion

Display normal: display is readable when the unit is on the floor.
 Display inversion: display is readable when the unit is mounted upside down.

- Press the MENU button until the display shows **DISP**
- Press the ENTER button, the display starts blinking.
- Use DOWN and UP buttons to select **ON** (display inversion) or **OFF** (normal display).
- Once the mode is selected, press the ENTER button to confirm.
- Press the MENU button for about 2 seconds to return to running mode.

Fhrs Fixture Hours

Used to show the number of working hours of the unit.

- Press the MENU button until **Fhrs** is shown on the display.
- Press the ENTER button to show the number of working hours in the display.
- Press the MENU button for about 2 seconds to return to running mode.

Ver Software version:

Used to show the software version of the unit.

- Press the MENU button until **Ver** is shown on the display.
- Press the ENTER button to show the software version of the unit.
- Press the MENU button for about 2 seconds to return to running mode.

OPERATING INSTRUCTIONS

A. Standalone 1unit:

- Just connect the projector to the mains and put on some music. The unit starts working automatically to the rhythm of the music.
- Refer to chapter HOW TO SETUP to learn how to switch between static and sound mode.

Remark: You can connect a CA-8 remote controller to the unit if you want to have more control.

B. Two or more units in master/slave setup:

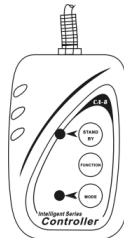
- Connect 2 to maximum 16 units together. Refer to the chapter "electrical installation" to learn how to do this.
- Connect all units to the mains and put on some music. The units will start working automatically to the rhythm of the music. Refer to chapter HOW TO SETUP for more information.

Remark: You can connect a CA-8 remote controller to the master unit if you want to have more control over the master/slave operation.

C. Connect the optional CA-8 controller for more control:

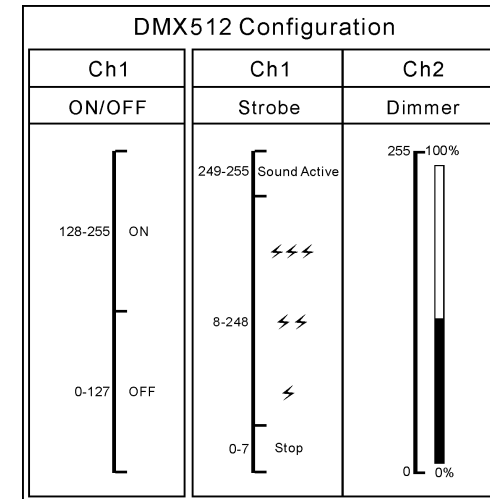
The CA-8 controller can only be used in standalone or master/slave mode. Connect the controller to the CA-8 input of the first unit (master). Now you can control all the connected units:

BUTTON	ACTIONS	
STANDBY	To blackout all the fixtures	
FUNCTION	1. Synchronous strobe 2. Two light strobe	Adjust dimmer level from 000 to 255
MODE	Strobe (LED OFF)	Color select (LED ON)



D. Controlled by universal DMX-controller:

- Connect all units together. Refer to the chapter "Electrical installation for two or more units in DMX-mode" to learn how to do this (don't forget to address all units properly!)
 - Connect all units to the mains and turn on the DMX controller.
- Since each unit has its own DMX-address, you can control them individually. Remember that each unit uses 1 or 2 DMX-channels as shown in the DMX chart below:



MAINTENANCE

- Make sure the area below the installation place is free from unwanted persons during servicing.
- Switch off the unit, unplug the mains cable and wait until the unit has been cooled down.

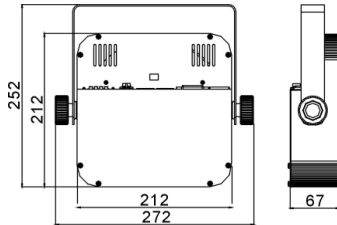
During inspection the following points should be checked:

- All screws used for installing the device and any of its parts should be tightly fastened and may not be corroded.
- Housings, fixations and installations spots (ceiling, truss, suspensions) should be totally free from any deformation.
- When an optical lens is visibly damaged due to cracks or deep scratches, it must be replaced.
- The mains cables must be in impeccable condition and should be replaced immediately when even a small problem is detected.
- In order to protect the device from overheat the cooling fans (if any) and ventilation openings should be cleaned monthly.
- The interior of the device should be cleaned annually using a vacuum cleaner or air-jet.
- The cleaning of internal and external optical lenses and/or mirrors must be carried out periodically to optimize light output. Cleaning frequency depends on the environment in which the fixture operates: damp, smoky or particularly dirty surroundings can cause greater accumulation of dirt on the unit's optics.
 - Clean with a soft cloth using normal glass cleaning products.
 - Always dry the parts carefully.
 - Clean the external optics at least once every 30 days.
 - Clean the internal optics at least every 90 days.

Attention: We strongly recommend internal cleaning to be carried out by qualified personnel!

SPECIFICATIONS

Mains Input:	100 - 240V 50/60Hz
Power consumption:	25Watt
Fuse:	250V 6,3A slow blow (20mm glass)
IEC input/output daisy chaining:	50pcs
Sound Control:	Internal microphone
DMX connections:	XLR 3pin
LEDs:	212 high power UV-LEDs
Beam angle:	15°
Size:	see drawing below
Weight:	1,6kg



Every information is subject to change without prior notice
 You can download the latest version of this user manual on our website: www.beglec.com

MODE D'EMPLOI

Merci d'avoir choisi ce produit JB Systems®. Pour votre sécurité et pour une utilisation optimale de toutes les possibilités de l'appareil, lisez attentivement cette notice avant utilisation.

EN VOUS INSCRIVANT POUR LA LETTRE D'INFORMATION VOUS SEREZ TOUJOURS TENU AU COURANT DES DERNIÈRES NOUVELLES CONCERNANT NOS PRODUITS: NOUVEAUTÉS, ACTIONS SPÉCIALES, JOURNÉES PORTES OUVERTES, ETC.
 → SURFEZ SUR: WWW.BEGLEC.COM ←

CARACTERISTIQUES

Cet appareil ne produit pas d'interférences radio. Il répond aux exigences nationales et européennes. La conformité a été établie et les déclarations et documents correspondants ont été déposés par le fabricant.

- Cet appareil a été conçu pour la production de jeux de lumières décoratifs et est utilisé dans des spectacles lumineux.
- Projecteur UV super compact à LED ; il contient 212 LED UV de 5 mm à haute puissance (black light).
- Les modes audio et strobo créent des effets impressionnants qui sont impossibles à réaliser avec les black-light traditionnels!
- Angle du faisceau lumineux : 15° (spot à angle réduit).
- Plusieurs applications sont possibles : discothèques, DJ, caravanes de démonstration, domiciles privés, etc ...
- L'appareil peut être fixé sur des superstructures en alu en utilisant une pince standard.
- Il peut aussi être utilisé comme projecteur au sol, avec n'importe quel angle de projection.
- Son boîtier est super compact et idéal pour les compagnies de location !
- Plusieurs modes de fonctionnement sont disponibles :
 - Mode autonome: niveau constant ou synchronisé à la musique pour des effets black light surprenants!
 - MASTER / SLAVE mode (mode maître / esclave) : on peut utiliser plusieurs appareils ensemble pour construire de splendides effets black light synchronisés à la musique (en option, il est possible d'utiliser le contrôleur CA-8)
 - Contrôle via DMX : 2 modes : 1 canal (on/off), 2 canaux (éteint, strobo variable, contrôlé par la musique, gradateur)
- Il y a différentes manières de régler l'adresse DMX de départ :
 - en optant pour un adressage DMX rapide, en recourant à n'importe quel contrôleur DMX standard ;
 - en mode maître/esclave, on peut assigner l'adresse de tous les appareils en appuyant juste sur une touche.
- Les entrées IEC (alimentation secteur) de plusieurs appareils peuvent être connectées en guirlande (daisy chain).

AVANT UTILISATION

- Avant d'utiliser cet appareil, assurez-vous de l'absence de dommages liés au transport. En cas de dommages, n'utilisez pas l'appareil et contactez le vendeur.
- **Important:** Cet appareil a quitté notre usine en parfaite condition et bien emballé. Il est primordial que l'utilisateur suive les instructions de sécurité et avertissements inclus dans ce manuel. La garantie ne s'applique pas en cas de dommage lié à une utilisation incorrecte. Le vendeur ne prend pas la responsabilité des défauts ou de tout problème résultant du fait de n'avoir pas tenu compte des mises en garde de ce manuel.
- Conservez ce manuel dans un endroit sûr pour toute consultation future. Si vous vendez l'appareil, assurez-vous d'y joindre ce manuel également.
- Afin de protéger l'environnement, merci de recycler les emballages autant que possible.

Vérifiez le contenu:

Vérifiez si l'emballage contient bien les articles suivants:

- Mode d'emploi
- LED-UV212.
- Attelle de support.
- 2 molettes à visser et destinées à bloquer l'attelle de support.

INSTRUCTIONS DE SECURITE:

CAUTION
RISK OF ELECTRIC SHOCK
DO NOT OPEN



ATTENTION: afin de réduire le risque d'électrocution, n'enlevez jamais le couvercle de l'appareil. Il n'y a aucune pièce à l'intérieur de l'appareil que vous puissiez remplacer vous-même. Confiez l'entretien uniquement à des techniciens qualifiés.



La flèche dans un triangle met l'utilisateur en garde contre la présence de haute tension sans isolation dans l'appareil, ce qui peut causer un risque d'électrocution.



Un point d'exclamation dans un triangle prévient de la présence d'instructions relatives au fonctionnement et à la maintenance se trouvant dans le manuel fourni avec l'appareil.



Ce symbole signifie: uniquement pour usage à l'intérieur.



Ce symbole signifie : Lire le mode d'emploi.



Ce symbole signifie: appareil construit selon les normes de sécurité classe I



Ce symbole représente la distance de recul minimum à respecter, c'est-à-dire, la distance minimum entre le projecteur et la surface à éclairer. Cette distance doit être de plus de 0,5 mètres.



Cet appareil peut être monté sur des surfaces inflammables courantes. Font partie de ces surfaces inflammables courantes, les matériaux de construction tels que le bois et des matériaux à base de bois d'une épaisseur supérieure à 2 mm.

- Afin de protéger l'environnement, merci de recycler les emballages autant que possible.
- Un effet lumière neuf peut provoquer de la fumée et/ou une odeur non souhaitée, qui devrait disparaître après quelques minutes.
- Afin d'éviter tout risque d'incendie ou de décharge électrique, ne pas exposer cet appareil à la pluie ou à l'humidité.
- Pour éviter la formation de condensation à l'intérieur de l'appareil, patientez quelques minutes pour laisser l'appareil s'adapter à la température ambiante lorsqu'il arrive dans une pièce chauffée après le transport. La condensation empêche l'appareil de fonctionner manière optimale, et elle peut même causer des dommages.
- Cet appareil est destiné à une utilisation à l'intérieur uniquement.
- Ne pas insérer d'objet métallique ou renverser de liquide dans l'appareil. Aucun objet contenant un liquide, tels que des vases, ne peut être placé sur cet appareil. Cela risquerait de provoquer une décharge électrique ou un dysfonctionnement. Si un corps étranger est introduit dans l'appareil, déconnectez immédiatement de la source d'alimentation.
- Aucune source de flamme nue, telle que des bougies allumées, ne peut être placée sur l'appareil.
- Placez l'appareil dans un endroit bien ventilé, éloigné de tout matériau ou liquide inflammable. L'appareil doit être fixé à **50cm minimum** des murs.
- Ne pas couvrir les orifices de ventilation, un risque de surchauffe en résulterait.
- Ne pas utiliser l'appareil dans un environnement poussiéreux et le nettoyer régulièrement.
- Ne pas laisser l'appareil à portée des enfants.
- Les personnes non expérimentées ne doivent pas utiliser cet appareil.
- La température ambiante maximale d'utilisation de l'appareil est de 40°C. Ne pas l'utiliser au-delà de cette température.
- Assurez-vous que la zone au-dessous du lieu d'installation ne comporte pas de personnes non concernées pendant le montage, le démontage et les opérations de maintenance.
- Débranchez toujours l'appareil si vous ne l'utilisez pas de manière prolongée ou avant d'entreprendre des

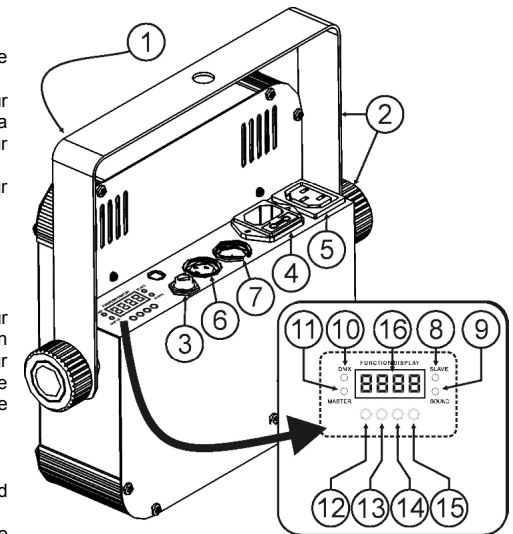
réparations.

- Les installations électriques ne peuvent être faites que par du personnel qualifié et conformément aux règlements de sécurité électrique et mécanique en vigueur dans votre pays.
- Assurez-vous que la tension d'alimentation de la source d'alimentation de la zone dans laquelle vous vous trouvez ne dépasse pas celle indiquée à l'arrière de l'appareil.
- Le cordon d'alimentation doit toujours être en parfait état. Mettez immédiatement l'unité hors tension si le cordon devait être écrasé ou endommagé. Pour éviter tout risque de choc électrique, le cordon doit être remplacé par le constructeur, son agent ou un technicien qualifié.
- Ne laissez jamais le cordon d'alimentation entrer en contact avec d'autres câbles !
- L'appareil doit être à la masse selon les règles de sécurité.
- Ne pas connecter l'unité à un variateur de lumière.
- Utilisez toujours des câbles appropriés et certifiés lorsque vous installez l'appareil.
- Pour éviter toute décharge électrique, ne pas ouvrir l'appareil. Il n'y a pas de pièces pouvant être changées par l'utilisateur à l'intérieur.
- **Ne jamais** réparer ou court-circuiter un fusible. Remplacez **systématiquement** un fusible endommagé par un fusible de même type et ayant les mêmes spécifications électriques !
- En cas de problèmes de fonctionnement sérieux, arrêtez toute utilisation de l'appareil et contactez votre revendeur immédiatement.
- La carrosserie et les lentilles doivent être remplacées si elles sont visiblement endommagées.
- Utilisez l'emballage d'origine si l'appareil doit être transporté.
- Pour des raisons de sécurité, il est interdit d'apporter une quelconque modification à l'unité non spécifiquement autorisée par les parties responsables.

Important: Ne jamais fixer directement la source de lumière ! Ne pas utiliser d'effets en présence de personnes souffrant d'épilepsie.

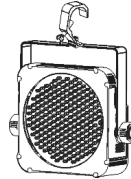
DESCRIPTION

1. Face avant munie d'un couvercle en plastique dur afin de protéger les LED de 5 mm.
2. Attelle de support avec une molette sur chaque côté pour bloquer l'appareil dans la position désirée, avec un trou de fixation pour y monter un crochet.
3. Prise ¼" utilisée pour connecter le contrôleur CA-8 optionnel
4. Entrée pour l'alimentation secteur dotée d'un socket IEC et d'une protection à fusible intégrée ; c'est ici que vous devez connecter le câble d'alimentation secteur.
5. Sortie alimentation secteur via connecteur IEC : on peut utiliser un câble spécial IEC afin de connecter cette sortie avec l'entrée secteur du LED-UV212 qui suit dans la chaîne afin de faciliter le chaînage (On peut former une chaîne d'un maximum de 40 appareils).
6. Connecteur de sortie DMX
7. Connecteur d'entrée DMX
8. LED 'SLAVE' : elle est allumée quand l'appareil est en mode esclave
9. LED 'SOUND' : elle clignote suivant le rythme de la musique quand l'appareil est en mode audio
10. LED 'DMX' : elle est allumée quand l'appareil reçoit un signal DMX
11. LED 'MASTER' : elle est allumée quand l'appareil est utilisé en tant qu'appareil maître
12. Touche 'MENU' : utilisée pour sélectionner les différents chapitres du menu
13. Touche 'DOWN' : utilisée pour reculer dans le menu et pour diminuer les valeurs affichées par l'écran.
14. Touche 'UP' : utilisée pour avancer dans le menu et pour augmenter les valeurs affichées par l'écran.
15. Touche 'ENTER' : utilisée pour confirmer votre sélection.
16. L'écran montre les différents menus et les fonctions sélectionnées.



INSTALLATION EN HAUTEUR

- **Important:** L'installation doit être faite par du personnel qualifié uniquement. Une installation incorrecte peut causer des blessures sévères et/ou endommager l'appareil. L'installation en hauteur exige de l'expérience ! Les limites de charge doivent être scrupuleusement respectées, du matériel d'installation certifié doit être utilisé, et l'appareil installé doit subir des inspections de sécurité régulièrement.
- Assurez-vous que la zone au-dessous du lieu d'installation ne comporte pas de personnes non concernées lors de l'installation, la désinstallation ou la maintenance.
- L'appareil doit être hors de portée du public et en dehors des zones de passage de personnes ou des zones où le public est installé.
- Avant l'installation, assurez-vous que la zone d'installation pourra supporter, en son point de fixation, un minimum de 10 fois le poids de l'appareil.
- Utilisez systématiquement un câble de sécurité qui peut supporter 12 fois le poids de l'appareil lors de l'installation. Ce câble de sécurité secondaire doit être installé de manière à ce qu'aucune partie de l'appareil ne puisse descendre de plus de 20 cm si le support principal tombe.
- L'appareil doit être bien fixé, un montage à balancement est dangereux et ne devrait pas être pris en considération !
- Ne pas couvrir les orifices de ventilation pour éviter tout risque de surchauffe.
- **L'utilisateur doit s'assurer que les installations techniques et de sécurité sont bien approuvées par un expert avant la première utilisation. Les installations doivent être inspectées chaque année par du personnel qualifié pour assurer une sécurité optimale.**



INSTALLATION ELECTRIQUE

- !** **Important:** L'installation électrique doit uniquement être effectué par du personnel qualifié, selon la législation concernant les mesures de sécurité électriques et mécaniques en vigueur dans votre pays.

Installation électrique pour 1 appareil en fonctionnement autonome :

- Installez le câble secteur. L'appareil commencera à fonctionner immédiatement suivant le dernier mode autonome sélectionné.
- Prière de se reporter au chapitre "COMMENT REGLER L'APPAREIL?" pour être à même de passer du mode statique vers le mode son et vice versa.

Remarque: vous pouvez brancher une commande à distance CA-8 sur l'appareil si vous souhaitez avoir plus de contrôle.

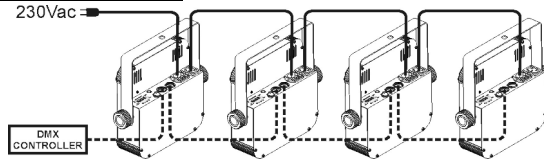
Installation électrique pour deux ou plusieurs appareils en mode maître/esclave:

- Branchez de 2 à 16 appareils au maximum ensemble en utilisant des câbles symétriques pour micro de bonne qualité. L'appareil qui n'a pas de câble branché à son entrée DMX est le "maître", les autres se comporteront en tant que "esclaves".
- Assurez-vous que les appareils sont tous branchés sur le secteur.
- Prière de se référer au chapitre "COMMENT REGLER L'APPAREIL?" pour de plus amples informations.
- Et c'est terminé!

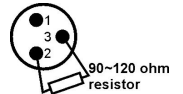
Remarque: vous pouvez brancher une commande à distance CA-8 sur l'appareil maître (master) si vous souhaitez avoir plus de contrôle sur le fonctionnement maître/esclave.

Installation électrique deux appareils ou plus en mode DMX:

- Le protocole DMX est un signal à haute vitesse très utilisé pour contrôler des équipements de lumières intelligents. Vous devez connecter en guirlande votre contrôleur DMX et tous les appareils avec un câble symétrique de bonne qualité.



- Pour éviter des comportements étranges des effets de lumières dus aux interférences, vous devez utiliser une résistance de bouclage de 90Ω à 120Ω au bout de la guirlande. Ne jamais utiliser de séparateur de câbles en forme « Y », cela ne fonctionnera pas!
- **Assurez-vous que les appareils sont tous branchés sur le secteur.**
- Chaque effet lumineux faisant partie de la guirlande doit avoir sa propre adresse de départ afin de savoir à quelle commande du contrôleur il doit réagir. Dans la section "COMMENT REGLER L'APPAREIL?", vous apprendrez à régler l'adresse DMX. Il faut se souvenir que chaque projecteur utilise 1 ou 2 canaux, donc, pour le mode à 2 canaux vous pourriez utiliser les adresses suivantes: appareil 1 = 001 ~ appareil 2 = 003 ~ appareil 3 = 005 ~ appareil 4 = 007 ~ etc ...



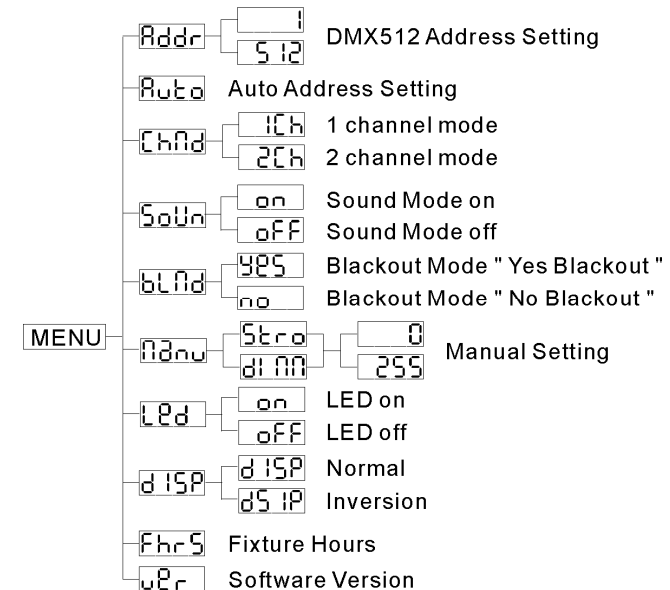
COMMENT REGLER L'APPAREIL ?

MENU PRINCIPAL:

- Pour sélectionner une option du menu, appuyez sur la touche **MENU** jusqu'à ce que la fonction désirée apparaisse à l'écran.
- Sélectionnez la fonction à l'aide de la touche **ENTER**. L'écran clignotera.
- Utilisez les touches **DOWN** et **UP** pour choisir dans le menu l'option désirée.
- Dès que vous avez sélectionné l'option désirée dans le menu, appuyez sur la touche **ENTER** pour confirmer.

Remarque : Appuyez sur la touche MENU pendant environ 2 secondes pour retourner vers le mode de fonctionnement, ou tout simplement, attendez 8 secondes.

La structure du menu est affichée ci-contre.



Addr Réglage de l'adresse DMX512

Fonction utilisée pour fixer l'adresse de départ dans un ensemble DMX ; vous pouvez également programmer automatiquement le projecteur LED-UV212 qui suit dans la même chaîne DMX.

! Programmer une adresse DMX de départ pour un appareil :

- Appuyez sur la touche MENU jusqu'à ce que **Addr** soit affiché à l'écran.
- Appuyez sur la touche ENTER.
- Utilisez les touches DOWN et UP pour changer l'adresse DMX512.

- Quand l'adresse désirée est affichée à l'écran, appuyez sur la touche ENTER pour confirmer votre choix.
- Appuyez sur la touche MENU pendant 2 secondes pour revenir en mode de fonctionnement.

Pour programmer automatiquement l'adresse DMX de départ pour plusieurs appareils dans une chaîne DMX

- Connectez ensemble les entrées et les sorties DMX de tous les projecteurs et mettez-les tous sous tension.
- Procédez comme suit avec le premier appareil de la chaîne DMX :
 - Fixez les adresses DMX de départ comme décrit ci-dessus ;
 - Appuyez ensuite sur le bouton MENU jusqu'à ce que les lettres **DMX** soient affichées par l'écran
 - Appuyez sur la touche ENTER pour lancer la programmation automatique → tous les appareils vont clignoter une fois pour indiquer que les adresses ont bien été fixées automatiquement, et ce, en partant de l'adresse programmée sur le premier appareil ;
 - Appuyez sur la touche MENU du premier appareil pendant 2 secondes pour revenir en mode de fonctionnement.

Exemple : supposons que le premier appareil ait été programmé à l'adresse DMX 100 → quand on lance l'adressage automatique, les autres projecteurs présents dans la chaîne DMX vont recevoir les adresses suivantes : 104, 106, 108, 110, etc ... (en supposant que les appareils utilisent le mode à 2 canaux)

Chnd Channel Mode (Mode canal)

L'appareil possède 2 modes canaux différents. Prière de se reporter au canevas d'implantation DMX pour visionner les différences.

- Appuyez sur la touche MENU jusqu'à ce que **Chnd** soit affiché à l'écran.
- Appuyez sur la touche ENTER.
- Utilisez les touches DOWN et UP pour sélectionner l'un des modes disponibles.
- Une fois que le mode est sélectionné, appuyez sur la touche ENTER pour confirmer.
- Appuyez sur la touche MENU pendant 2 secondes pour revenir en mode de fonctionnement.

Soun Sound Mode

Est utilisé pour sélectionner le mode musical qui contrôlera les shows.

- Appuyez sur la touche MENU jusqu'à ce que **Soun** est affiché à l'écran.
- Appuyez sur la touche ENTER
- Utilisez les touches DOWN et UP pour sélectionner un des modes disponibles:
 - **On** (mode son activé) → les shows sont pilotés à l'aide du micro intégré.
 - **Off** (mode son désactivé) → les shows sont pilotés par la vitesse des shows sélectionnés
- Une fois que le mode désiré est sélectionné, appuyez sur le bouton ENTER pour confirmer.
- Appuyez sur la touche MENU pendant 2 secondes pour revenir en mode de fonctionnement.

blnd Mode Black out

Black out mode: quand aucun signal DMX est détecté, l'appareil se met en black out.

Mode « pas de black-out »: quand aucun signal DMX n'est détecté, l'appareil se met automatiquement à fonctionner en mode master.

Sélectionnez TOUJOURS "No Black out" quand l'appareil est utilisé en mode autonome (standalone) ou en tant que master (ou en mode maître/esclave) !!!

- Appuyez sur la touche MENU jusqu'à ce que **blnd** soit affiché à l'écran.
- Appuyez sur la touche ENTER
- Utilisez les touches DOWN et UP pour sélectionner **YES** (mode black out) ou **NO** (mode sans black out)
- Une fois que le mode désiré est sélectionné, appuyez sur le bouton ENTER pour confirmer.
- Appuyez sur la touche MENU pendant 2 secondes pour revenir en mode de fonctionnement.

02nd Blackout Mode

Quand l'appareil est utilisé en mode autonome, vous pouvez régler manuellement la fonction stroboscopique et le niveau de gradation.

- Appuyez sur la touche MENU jusqu'à ce que l'écran affiche **02nd**.
- Appuyez sur la touche ENTER.

- Utilisez les touches DOWN et UP pour sélectionner une des deux options disponibles:
 - Sélectionnez **STRO** pour régler la vitesse stroboscopique et appuyez sur ENTER pour confirmer: Utilisez les touches DOWN et UP pour sélectionner une valeur située entre 000 (pas de strobo) et 255 (strobo très rapide). Confirmez en appuyant sur la touche ENTER.
 - Sélectionnez **DM** pour régler le niveau d'atténuation (dimmer) et appuyez sur ENTER pour confirmer: Utilisez les touches DOWN et UP pour sélectionner une valeur située entre 000 (pas de sortie) et 255 (niveau de sortie maximal). Confirmez en appuyant sur la touche ENTER.
- Après avoir réglé les paramètres: Appuyez sur la touche MENU pendant 2 secondes pour revenir en mode de fonctionnement.

LED Led Display

- **Display on: l'écran est toujours allumé.**
- **Display off: l'écran est éteint quand il n'est pas utilisé.**
- Appuyez sur la touche MENU jusqu'à ce que l'écran affiche **LED**.
- Appuyez sur la touche ENTER
- Utilisez les touches DOWN et UP pour sélectionner **on** (écran toujours allumé) ou **OFF** (écran éteint si pas utilisé).
- Une fois que le mode désiré est sélectionné, appuyez sur le bouton ENTER pour confirmer.
- Appuyez sur la touche MENU pendant 2 secondes pour revenir en mode de fonctionnement.

DISP Inversion de l'affichage

Display normal: possibilité de lire ce qui est affiché à l'écran quand l'appareil est posé par terre.

Display inversion: possibilité de lire ce qui est affiché à l'écran quand l'appareil est suspendu.

- Appuyez sur la touche MENU jusqu'à ce que l'écran affiche **DISP**
- Appuyez sur la touche ENTER, l'écran commence à clignoter.
- Utilisez les touches DOWN et UP pour sélectionner **on** (affichage inversé) ou **OFF** (affichage normal).
- Une fois que le mode désiré est sélectionné, appuyez sur le bouton ENTER pour confirmer.
- Appuyez sur la touche MENU pendant 2 secondes pour revenir en mode de fonctionnement.

Fhrs Fixture Hours

- **Vous communique le nombre d'heures de service de l'appareil.**
- Appuyez sur la touche MENU jusqu'à ce que **Fhrs** soit affiché à l'écran.
- Appuyez sur la touche ENTER pour que l'appareil affiche le nombre d'heures de service à l'écran.
- Appuyez sur la touche MENU pendant 2 secondes pour revenir en mode de fonctionnement.

VER Version du software

- **Fonction utilisée pour montrer sous quelle version du software fonctionne l'appareil.**
- Appuyez sur la touche MENU jusqu'à ce que **VER** soit affiché à l'écran.
- Appuyez sur la touche ENTER pour afficher sous quelle **version du software fonctionne l'appareil**
- Appuyez sur la touche MENU pendant 2 secondes pour revenir en mode de fonctionnement.

INSTRUCTIONS D'UTILISATION

A. 1 appareil en fonctionnement seul:

- Branchez simplement l'appareil sur le secteur et mettez de la musique. L'appareil commencera à fonctionner automatiquement au rythme de la musique.
- Prière de se reporter au chapitre "COMMENT REGLER L'APPAREIL?" pour être à même de passer du mode statique vers le mode son et vice versa.

Remarque: vous pouvez brancher une commande à distance CA-8 sur l'appareil si vous souhaitez avoir plus de contrôle.

B. Deux ou plusieurs appareils en configuration maître/esclave:

- Branchez de 2 à maximum 16 appareils ensemble. Référez-vous au chapitre "installation électrique" pour apprendre à brancher les appareils ensemble
- Branchez tous les appareils sur le secteur et mettez de la musique. Les appareils commenceront à fonctionner automatiquement au rythme de la musique. Prière de se référer au chapitre "COMMENT REGLER L'APPAREIL?" pour de plus amples informations.

Remarque: vous pouvez brancher une commande à distance CA-8 sur l'appareil maître (master) si vous souhaitez avoir plus de contrôle sur le fonctionnement maître/esclave.

C. Pour disposer de plus de contrôle, connectez le contrôleur CA-8 (en option) :

Le contrôleur CA-8 peut uniquement être utilisé en fonctionnement autonome ou en mode maître/esclave. Branchez le contrôleur sur l'entrée CA-8 du premier appareil (maître). Vous pouvez maintenant contrôler tous les appareils branchés:

BOUTON	ACTIONS	
STANDBY	Pour mettre toutes les fonctions en attente	
FUNCTION	1. Stroboscope synchronisé 2. Double strobo	Réglage du niveau d'atténuation de 000 à 255
MODE	Stroboscope (la LED est éteinte)	Sélection du niveau d'atténuation (la LED est allumée)

D. Prise de contrôle par un contrôleur DMX universel :

- Branchez tous les appareils ensemble. Référez-vous au chapitre "installation électrique pour deux ou plusieurs appareils en mode DMX" pour apprendre à le faire (n'oubliez pas d'adresser tous les appareils correctement!)
- Branchez tous les appareils sur le secteur et allumez le contrôleur DMX.

Etant donné que tous les appareils possèdent leur propre adresse DMX, vous pouvez les contrôler individuellement. Souvenez-vous que chaque appareil utilise 1 ou 4 canaux DMX comme indiqué dans le tableau DMX ci-dessous:

DMX512 Configuration		
Ch1	Ch1	Ch2
ON/OFF	Strobe	Dimmer
128-255 ON 0-127 OFF	249-255 Sound Active 8-248 0-7 Stop	255 100% 0 0%

Le canal 4 peut se comporter de différentes manières selon le mode canal dans lequel on se trouve (1, 2, 3 ou 4). Prière de se reporter au chapitre "COMMENT REGLER L'APPAREIL".

MAINTENANCE

- Assurez-vous que la zone au-dessous du lieu d'installation ne comporte pas de personnes non concernées lors de la maintenance
- Mettez l'appareil hors tension, débranchez le cordon d'alimentation et attendez que l'appareil ait refroidi.

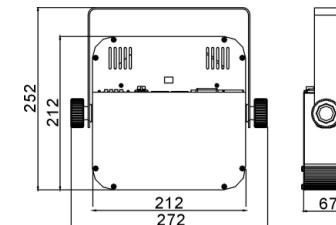
Pendant l'inspection, les points suivants doivent être vérifiés :

- Toutes les vis utilisées pour l'installation de l'appareil ou de chacune de ses pièces doivent être bien fixées et non corrodées.
- Les niches, fixations et structures de support (plafond, poutres, suspensions) doivent être totalement intactes, sans aucune déformation.
- Lorsqu'une lentille optique est visiblement endommagée (fissure ou éraflures profondes), elle doit être remplacée.
- Les câbles doivent être en parfait état et doivent être remplacés immédiatement en cas de détection d'un problème, même bénin.
- Pour protéger l'appareil de toute surchauffe, les ventilateurs (le cas échéant) et les orifices de ventilation doivent être nettoyés tous les mois.
- L'intérieur de l'appareil doit être nettoyé chaque année à l'aide d'un aspirateur ou d'un pistolet à air.
- Le nettoyage des lentilles optiques internes et externes et/ou des miroirs doit être effectué périodiquement pour optimiser la production de lumière. La fréquence de nettoyage dépend de l'environnement dans lequel l'appareil fonctionne: des environnements humides, enfumés ou particulièrement sales peuvent entraîner une accumulation de saletés plus importante sur les parties optiques de l'appareil.
 - Nettoyez à l'aide d'un chiffon doux avec des produits de nettoyage pour verres normaux.
 - Séchez toujours les parties soigneusement.
 - Nettoyez les optiques externes au moins une fois tous les 30 jours.
 - Nettoyez les optiques internes au moins une fois tous les 90 jours.

Attention: Nous vous recommandons fortement de faire exécuter le nettoyage interne par du personnel qualifié !

SPECIFICATIONS

Alimentation:	CA 100 - 240V 50/60Hz
Consommation :	25 watts
Fusible:	250V 6,3A lente (20mm verre)
Entrées et sorties IEC (daisy chain) :	50pcs
Contrôle du son:	microphone interne
Connexions DMX:	connecteurs XLR à 3 broches
LEDs:	212 LED UV haute puissance
Angle de dispersion :	15°
Taille:	voir schéma ci-dessous
Poids:	1,6 kg



Chacune de ces informations peut être modifiée sans avertissement préalable. Vous pouvez télécharger la dernière version de ce mode d'emploi de notre site Web: www.beglec.com

GEBRUIKSAANWIJZING

Hartelijk dank voor de aankoop van dit JB Systems® product. Om ten volle te kunnen profiteren van alle mogelijkheden en voor uw eigen veiligheid, gelieve de aanwijzingen zeer zorgvuldig te lezen voor U begint het apparaat te gebruiken.

DOOR U OP ONZE MAILINGLIJST IN TE SCHRIJVEN ONTVANGT U STEEDS DE LAATSTE INFORMATIE OVER ONZE PRODUCTEN: NIEUWIGHEDEN, SPECIALE ACTIES, OPENDEURDAGEN, ENZ.
→ SURF NAAR: WWW.BEGLEC.COM ←

KARAKTERISTIEKEN

In dit apparaat is radio-interferentie onderdrukt. Dit product voldoet aan de gangbare Europese en nationale voorschriften. Er werd vastgesteld dat het apparaat er zich aan houdt en de desbetreffende verklaringen en documenten zijn door de fabrikant afgegeven.

- Het toestel is ontworpen om decoratieve lichteffecten te produceren en kan eventueel worden gebruikt in lichtshows.
- Super compacte UV LED projector met 212 high-power 5mm UV LEDs
- De audio en strobe modi zorgen voor prachtige effecten, welke helemaal niet kunnen bekomen worden met traditionele black lights!
- Openingshoek = 15° (narrow spot)
- Vele toepassingen mogelijk: Discotheken, DJ's, standenbouw, woningen, ...
- Kan in ALU-truss opgehangen worden door middel van een standaard klem
- Kan als vloerprojector gebruikt worden onder om het even welke hoek
- Super compacte behuizing, ideaal voor verhuurbedrijven!
- Verschillende werkmodi:
 - Standalone: constant uitgangsniveau of muziekgestuurd voor indrukwekkende black Light effecten.
 - Master/slave modus: meerdere toestellen kunnen samen worden gebruikt voor prachtige synchrone muziekgestuurde black Light effecten (optionele CA-8 bediening mogelijk)
 - DMX gestuurd: 2modi: via 1 kanaal (aan/uit) of via 2 kanalen (uit, wisselende stobe, muziekgestuurd, dimmer))
- Verschillende manieren om het DMX startadres in te stellen:
 - Snelle DMX adressering met om het even welke DMX controller
 - In master/slave modus kunt u alle toestellen adresseren door op 1 enkele toets te drukken !
- De stroomtoevoer kan via de IEC aansluitingen voor verschillende toestellen doorverbonden worden.

VOOR DE IN GEBRUIKNAME

Controleer voor het eerste gebruik van het apparaat of het tijdens het transport beschadigd werd. Mocht er schade zijn, gebruik het dan niet, maar raadpleeg eerst uw dealer.

Belangrijk: Dit apparaat verliet de fabriek in uitstekende staat en goed verpakt. Het is erg belangrijk dat de gebruiker de veiligheidsaanwijzingen en raadgevingen in deze gebruiksaanwijzing uiterst nauwkeurig volgt. Elke schade veroorzaakt door verkeerd gebruik van het apparaat valt niet onder de garantie. De dealer aanvaardt geen verantwoordelijkheid voor mankementen en problemen die komen door het veronachtzamen van deze gebruiksaanwijzing.

Bewaar deze brochure op een veilige plaats om hem in de toekomst nogmaals te kunnen raadplegen. Indien U het apparaat verkoopt, denkt U er wel aan om de gebruiksaanwijzing bij te voegen.

Controleer de inhoud:

Controleer of de doos volgende onderdelen bevat:

- Handleiding
- LED-UV212
- Ophangbeugel
- 2 knoppen om de ophangbeugel vast te maken

VEILIGHEIDSVOORSCHRIFTEN:



CAUTION
RISK OF ELECTRIC SHOCK
DO NOT OPEN



WAARSCHUWING: Om het risico op elektrocutie zoveel mogelijk te vermijden mag u nooit de behuizing verwijderen. Er bevinden zich geen onderdelen in het toestel die u zelf kan herstellen. Laat de herstellingen enkel uitvoeren door een bevoegde technicus.



De bliksempijl die zich in een gelijkbenige driehoek bevindt is bedoeld om u te wijzen op het gebruik of de aanwezigheid van niet-geïsoleerde onderdelen met een "gevaarlijke spanning" in het toestel die voldoende kracht heeft om een risico van elektrocutie in te houden.



Het uitroepteken binnen de gelijkbenige driehoek is bedoeld om de gebruiker erop te wijzen dat er in de meegeleverde literatuur belangrijke gebruik en onderhoudsinstructies vermeld staan betreffende dit onderdeel.



Dit symbool betekent: het apparaat mag enkel binnenhuis worden gebruikt.



Dit symbool betekent: Lees de handleiding!



Dit symbool betekent: Klasse I apparaten



Dit symbool bepaalt: de minimumafstand van te belichten voorwerpen. De minimumafstand tussen projector en het verlichte voorwerp moet meer dan 0,5 meter zijn.

Het toestel is geschikt om gemonteerd te worden op standaard ontvlambare oppervlakten. Standaard ontvlambare oppervlakten omvatten bouwmaterialen zoals hout en houtbevattende materialen van meer dan 2mm dik

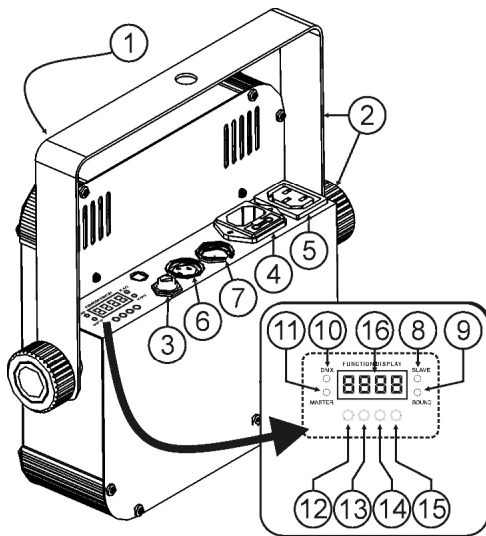
- Bescherm het milieu, probeer zoveel mogelijk het verpakkingsmateriaal te recycleren.
- Een nieuw lichteffect kan soms ongewenste rook en/of reuk veroorzaken. Dit is normaal en verdwijnt na een paar minuten.
- Stel dit apparaat niet bloot aan regen of vocht, dit om het risico op brand en elektrische schokken te voorkomen.
- Om de vorming van condensatie binnenin te voorkomen, laat het apparaat aan de omgevingstemperatuur wennen wanneer het, na het transport, naar een warm vertrek is overgebracht. Condensatie kan het toestel soms verhinderen perfect te functioneren. Het kan soms zelfs schade aan het apparaat toebrengen.
- Gebruik dit apparaat uitsluitend binnenshuis.
- Plaats geen stukken metaal en mors geen vocht binnen in het toestel om elektrische schokken of storing te vermijden. Indien een vreemd voorwerp in het apparaat geraakt, moet U het direct van het lichtnet afkoppelen.
- Plaats de installatie op een plaats met goede ventilatie, ver van brandbare materialen en/of vloeistoffen. De installatie moet op minstens 50 cm van de muren rondom geplaatst worden.
- Bedek geen enkele ventilatieopening om oververhitting te vermijden.
- Zorg dat het toestel niet in een stoffige omgeving wordt gebruikt en maak het regelmatig schoon.
- Houd het apparaat uit de buurt van kinderen.
- Dit apparaat mag niet door onervaren personen bediend worden.
- De maximum veilige omgevingstemperatuur is 40°C. Gebruik het apparaat dus niet bij hogere temperaturen.
- Verzeker er U van dat er zich onder de plaats waar het toestel wordt geïnstalleerd geen ongewenste personen bevinden tijdens het bevestigen en losmaken alsook bij het onderhoud.
- Trek altijd de stekker uit wanneer het apparaat gedurende langere tijd niet wordt gebruikt of alvorens te beginnen met de onderhoudsbeurt.
- De elektrische installatie behoort uitsluitend uitgevoerd te worden door bevoegd personeel, volgens de in uw land geldende regels betreffende elektrische en mechanische veiligheid.

- Controleer dat de beschikbare spanning niet hoger is dan die aangegeven op de achterzijde van het toestel.
- De elektrische kabel behoort altijd in uitstekende staat te zijn. Zet het apparaat onmiddellijk af als de elektrische kabel gekneust of beschadigd is. De kabel moet vervangen worden door de fabrikant zelf, zijn dealer of vergelijkbare bekwaame personen om een brand te voorkomen.
- Laat de elektrische draad nooit in contact komen met andere draden.
- Volgens de veiligheidsvoorschriften moet deze installatie geaard worden.
- Sluit het apparaat niet aan op een elektronische dimmer.
- Gebruik altijd een geschikte en gekeurde veiligheidskabel bij het installeren van het toestel.
- Om elektrische schokken te voorkomen, moet U de behuizing niet openen. Er zitten geen onderdelen in het toestel die door de gebruiker moeten worden onderhouden.
- Repareer **nooit** een zekering en overbrug de zekeringhouder nooit. Vervang een beschadigde zekering **steeds** door een zekering van hetzelfde type en met dezelfde elektrische kenmerken.
- In geval van ernstige problemen met het bedienen van het toestel, stopt U onmiddellijk het gebruik ervan. Contacteer uw dealer voor een eventuele reparatie.
- De behuizing en de lenzen moeten vervangen worden als ze zichtbaar beschadigd zijn.
- Gebruik best de originele verpakking als het toestel vervoerd moet worden.
- Om veiligheidsredenen is het verboden om wijzigingen aan het toestel aan te brengen.

Belangrijk: Kijk nooit rechtstreeks in de lichtbron. Gebruik het lichteffect niet in aanwezigheid van personen die lijden aan epilepsie.

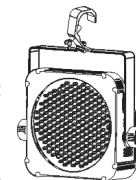
BESCHRIJVING:

1. Harde plastic cover ter bescherming van de 5mm LEDs.
2. Ophangbeugel met knoppen aan beide kanten om de unit vast te maken en een bevestigingsgat om een bevestigingshaak te monteren.
3. 1/4" jack stekker wordt gebruikt om de optionele CA-8 bediening aan te sluiten.
4. Voedingsconnector met IEC stekker en ingebouwde zekeringhouder. Sluit hier de meegeleverde stroomkabel aan.
5. Stroomingang via IEC aansluiting: met speciale IEC stroomkabels kunt u deze stroomuitgang doorverbinden met de stroomingang van de volgende LED-UV212. (de stroomvoorziening kan doorverbonden worden voor max 40 toestellen)
6. DMX uitgang aansluiting
7. DMX ingang aansluiting
8. Slave LED: is aan wanneer het toestel in slave modus staat
9. Sound LED: knippert op het ritme van de muziek wanneer het toestel in audio modus staat
10. DMX LED: is aan wanneer het toestel een DMX-sigitaal ontvangt
11. Master LED: is aan wanneer het toestel ingesteld is als master
12. MENU toets: wordt gebruikt om de verschillende menu's te selecteren
13. DOWN toets: om terug te gaan in het menu en om waarden die in het display worden weergegeven te verlagen.
14. UP toets: om verder te gaan in het menu en om waarden die in het display worden weergegeven te verhogen.
15. ENTER toets: wordt gebruikt om uw keuze te bevestigen.
16. DISPLAY geeft de verschillende menu's en de geselecteerde functies weer.



OPHANGEN VAN HET APPARAAT

- **Belangrijk:** De installatie van het toestel mag uitsluitend door bekwaam onderhoudspersoneel uitgevoerd worden. Onjuiste plaatsing kan ernstige letsels en/of schade aan eigendommen tot gevolg hebben. Het ophangen vergt veel ervaring. U behoort de grenzen te respecteren aan de werklust; erkende installeringmaterialen moeten worden gebruikt; de veiligheid van het geïnstalleerde toestel moet regelmatig worden gecontroleerd.
- Overtuig U ervan dat het gebied onder installatieplaats vrij is van ongewenste personen tijdens het plaatsen, het weghalen en het onderhoud.
- Het toestel moet worden geïnstalleerd buiten het bereik van iedereen en weg van plaatsen waar men mag lopen en zitten.
- Alvorens tot plaatsen over te gaan, moet men controleren dat de minimum puntbelasting van de installatieplaats 10 keer het gewicht van het toestel bedraagt.
- Gebruik bij het installeren van het toestel altijd een gewaarmerkte veiligheidskabel die 12 keer het gewicht van het toestel kan dragen. Deze bijkomende veiligheidsbevestiging moet zo worden aangebracht dat geen deel van het toestel meer dan 20 cm vallen kan als de hoofdbeveiliging faalt.
- Het apparaat moet goed worden vastgezet; aan een vrij zwaaiende montage mag zelfs niet gedacht worden.
- Bedek geen ventilatieopeningen, anders zou dit oververhitting tot gevolg kunnen hebben.
- De gebruiker moet er zich van verzekeren dat de installaties met betrekking tot de veiligheid en de technische mechaniek door een expert zijn goedgekeurd alvorens ze voor de eerste keer te gebruiken. Elk jaar moeten de installaties worden gekeurd door een vakman om te controleren of de veiligheid nog steeds perfect is.



ELEKTRISCHE INSTALLATIE

Belangrijk: De elektrische installatie zou alleen uitgevoerd moeten worden door een bekwaam persoon volgens de voorschriften voor elektrische en mechanische veiligheid in uw land.

Elektrische installatie voor één toestel:

- Sluit de stroomkabel aan. Het toestel begint te werken in de laatst gekozen stand-alone modus.
 - Zie hoofdstuk HOE INSTELLEN om te leren hoe u de keuze kunt maken tussen de statische en muziekgestuurde modus.
- Opmerkingen:** U kan een CA-8 afstandsbediening aansluiten op de unit voor een betere controle over het toestel.

Elektrische installatie voor twee of meer toestellen in master/slave:

- Sluit 2 tot maximaal 16 toestellen op elkaar aan, gebruik gebalanceerde microfoonkabels van een goede kwaliteit. De unit die geen kabel aansluiting op z'n DMX-ingang is de "master", de anderen zijn de slave-units.
- Weet zeker dat alle units op het net zijn aangesloten.
- Zie hoofdstuk HOE INSTELLEN voor meer info.
- Klaar!

Opmerkingen: U kan een CA-8 afstandsbediening aansluiten op de master unit als u meer controle wilt over de master/slave werking.

Elektrische installatie voor twee of meer toestellen in DMX-modus:

- Het DMX-protocol is een veel gebruikt hogesnelheidssigitaal om lichtuitrustingen te bedienen. U moet uw DMX bediening en alle units met een gebalanceerde kabel van goede kwaliteit doorverbinden.
- Om vreemd gedrag van de lichteffecten, veroorzaakt door storing, te voorkomen, moet u een afsluitweerstand van 90Ω tot 120Ω aan het eind van de keten gebruiken. Gebruik nooit een Y-splittkabel, dit zal eenvoudig niet werken!
- Weet zeker dat alle units op het lichtnet zijn aangesloten.



- Elk lichteffect in de keten heeft een eigen DMX startadres nodig zodat het weet welke commando's van de bediening het moet ontcijferen. In de sectie HOE INSTELLEN zal u leren hoe het DMX adres in te stellen. Vergeet niet dat elke projector 1 of 2 kanalen gebruikt, de adresinstelling voor de 2 kanaalsmodus kan er dus als volgt uitzien: toestel1 = 001 ~ toestel2 = 003 ~ toestel3 = 005 ~ toestel4 = 007 ~ enz.

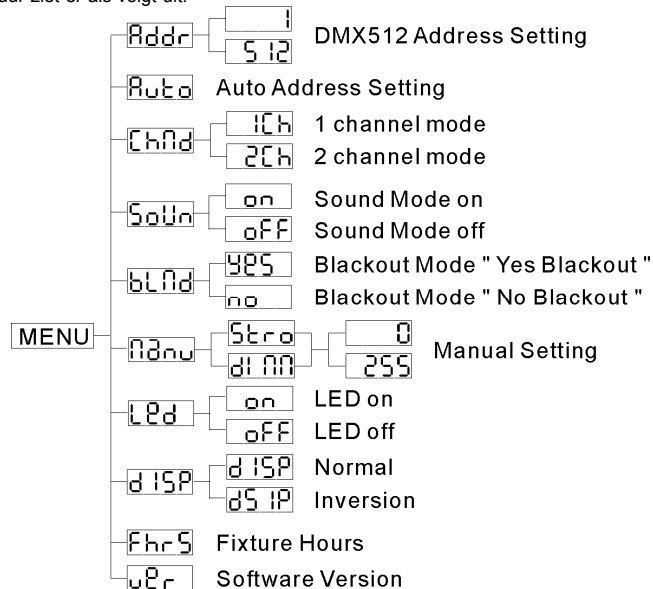
HOE INSTELLEN:

HOOFDMENU:

- Druk op de **MENU** toets tot het gewenste menu op het scherm verschijnt.
- Selecteer de functie door op de **ENTER** toets te drukken. De display zal beginnen knipperen.
- Gebruik de **DOWN** en **UP** toetsen om de gewenste menu optie te kiezen.
- Druk daarna op de **ENTER** toets om de selectie te bevestigen.

Opmerking: Druk gedurende ongeveer 2 seconden op de **MENU** toets of wacht gedurende 8 seconden om naar de gewone werkmodus terug te keren.

De menustructuur ziet er als volgt uit:



Addr DMX512 adres instellen

Wordt gebruikt om het startadres in te stellen in een DMX gestuurde opstelling, u kunt ook de volgende LED-UV212 projectoren in dezelfde DMX ketting automatisch adresseren.

Programmeer eena DMX startadres in 1 toestel:

- Druk op de MENU toets tot **Addr** wordt weergegeven op de display.
- Druk op de ENTER toets.
- Gebruik de DOWN en UP toetsen om het DMX512 adres te veranderen.
- Wanneer het gewenste adres op de display verschijnt moet u dit bevestigen door op de ENTER toets te drukken
- Druk gedurende ongeveer 2 seconden op de MENU toets om naar de gewone werkmodus terug te keren.

Programmeer automatisch de DMX startadressen van meerdere toestellen in een DMX ketting:

- Verbind de DMX in/uitgangen van alle projectoren met mekaar en schakel ze allen aan
- Op het eerste toestel in de ketting voert u volgende stappen uit:
 - Stel het DMX adres in zoals hierboven beschreven.

- Druk daarna op de MENU toets tot **Auto** op de display verschijnt.
- Druk op de ENTER toets om het automatisch programmeren te starten → alle toestellen zullen 1 keer flitsen om aan te geven dat de startadressen automatisch ingesteld zijn, beginnende van het startadres van het eerste toestel.
- Druk gedurende ongeveer 2 seconden op de MENU toets om naar de gewone werkmodus terug te keren.
Voorbeeld: de eerste projector was ingesteld op DMX adres 100 → wanneer u de automatische adressering heeft uitgevoerd krijgen de andere projectoren in de DMX ketting achtereenvolgend volgende adressen toegewezen: 104, 106, 108, 110, ... (wanneer u met de 2 kanaals modus werkt)

Chan Channel Mode

Het toestel beschikt over 2 verschillende kanaalmodi. Zie de DMX table voor de verschillende opties.

- Druk op de MENU toets tot **Chan** wordt weergegeven op de display.
- Druk op de ENTER toets.
- Gebruik de DOWN en UP toetsen om een van de beschikbare kanaalmodi te kiezen.
- Druk daarna op de ENTER toets om uw keuze te bevestigen.
- Druk gedurende ongeveer 2 seconden op de MENU toets om naar de gewone werkmodus terug te keren.

Sound Sound Mode

Wordt gebruikt om de geschikte geluidsmodus te kiezen welke de shows gaat aansturen.

- Druk op de MENU toets tot **Sound** op de display verschijnt.
- Druk op de ENTER toets
- Gebruik de DOWN en UP toetsen om een van de beschikbare modi te kiezen:
 - **on** (sound mode AAN) → de shows worden gestuurd via de ingebouwde microfoon.
 - **off** (sound mode UIT) → de shows worden gestuurd via de snelheid die voor de shows gekozen werd.
- Wanneer u uw keuze gemaakt heeft, druk dan om de ENTER toets om deze te bevestigen.
- Druk gedurende ongeveer 2 seconden op de MENU toets om naar de gewone werkmodus terug te keren.

Blnd Blackout Mode

Blackout mode: wanneer er geen DMX-signal gedetecteerd wordt gaat het toestel in blackout.

No blackout mode: wanneer er geen DMX-signal gedetecteerd wordt schakelt het toestel automatisch over naar master mode.

Stel STEEDS "No Blackout" in wanneer het toestel in standalone of als master (in master/slave) gebruikt wordt.

- Druk op de MENU toets tot **Blnd** op de display verschijnt.
- Druk op de ENTER toets
- Gebruik de DOWN en UP toetsen om **YES** (blackout) of **no** (no blackout) te kiezen.
- Wanneer u uw keuze gemaakt heeft, druk dan om de ENTER toets om deze te bevestigen.
- Druk gedurende ongeveer 2 seconden op de MENU toets om naar de gewone werkmodus terug te keren.

Manu Blackout Mode

Wanneer het toestel in autonome modus staat (standalone), dan kunt u de dimmer en de strobe functie manueel instellen.

- Druk op de MENU toets tot **Manu** op de display verschijnt.
- Druk op de ENTER toets.
- Gebruik de DOWN en UP toetsen om een van de 2 beschikbare opties te kiezen:
 - Kies **Stro** om de strobe snelheid te kiezen en druk op ENTER om te bevestigen: Gebruik de DOWN en UP toetsen om een de waarde in te stellen tussen 000 (geen strobo) en 255 (zeer snelle strobe). Bevestig door op de ENTER toets te drukken.
 - Kies **Dim** om de dimmer instelling te kiezen en druk op ENTER om te bevestigen: Gebruik de DOWN en UP toetsen om een de waarde in te stellen tussen 000 (geen output) en 255 (maximum output). Bevestig door op de ENTER toets te drukken.
- Wanneer u klaar bent met het instellen van beide parameters, druk dan gedurende ongeveer 2 seconden op de MENU toets om naar de gewone werkmodus terug te keren.

LED Led Display

Display on: display is steeds aan.

Display off: display is uit wanneer deze niet wordt gebruikt.

- Druk op de MENU toets tot **LED** op de display verschijnt.
- Druk op de ENTER toets
- Gebruik de DOWN en UP toetsen om **ON** (display steeds aan) of **OFF** (display uit wanneer niet in gebruik) te selecteren.
- Wanneer u uw keuze gemaakt heeft, druk dan om de ENTER toets om deze te bevestigen.
- Druk gedurende ongeveer 2 seconden op de **MENU** toets om naar de gewone werkmodus terug te keren.

DISP Display Inversion

Display normal: display is leesbaar wanneer het toestel op de grond staat.

Display inversion: display is leesbaar wanneer het toestel ondersteboven hangt.

- Druk op de MENU toets tot **DISP** op de display verschijnt.
- Druk op de ENTER toets
- Gebruik de DOWN en UP toetsen om **ON** (display inversie) of **OFF** (normale display) te selecteren.
- Wanneer u uw keuze gemaakt heeft, druk dan om de ENTER toets om deze te bevestigen.
- Druk gedurende ongeveer 2 seconden op de **MENU** toets om naar de gewone werkmodus terug te keren.

Fhrs Fixture Hours

• Geeft het aantal gepresteerde werkuren weer.

- Druk op de MENU toets tot **Fhrs** op de display verschijnt.
- Druk op de ENTER toets om het aantal werkuren te laten verschijnen op de display.
- Druk gedurende ongeveer 2 seconden op de **MENU** toets om naar de gewone werkmodus terug te keren.

Ver Software:

• Geeft de softwareversie van het toestel weer.

- Druk op de MENU toets tot **Ver** op de display verschijnt.
- Druk op de ENTER toets om de gebruikte softwareversie te laten verschijnen op de display.
- Druk gedurende ongeveer 2 seconden op de **MENU** toets om naar de gewone werkmodus terug te keren.

BEDIENINGSVOORSCHRIFTEN

A. 1 Standalone toestel:

- Sluit de unit op het lichtnet aan en zet wat muziek aan. De unit zal automatisch starten op het ritme van de muziek.
- Zie hoofdstuk HOE INSTELLEN om te leren hoe u kunt kiezen tussen statische en muziekgestuurde modi.

Opmerking: U kan een CA-8 afstandsbediening aansluiten op de unit als u meer controle wilt hebben over het toestel.

B. Twee of meer units in master/slave opstelling:

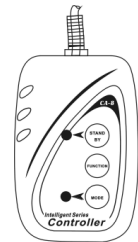
- Sluit twee tot maximaal 16 units op elkaar aan. Zie het hoofdstuk "elektrische installatie" om te leren hoe dit te doen
- Sluit alle units op het lichtnet aan en zet wat muziek aan. De unit zal automatisch starten op het ritme van de muziek. Zie hoofdstuk HOE INSTELLEN voor meer info.

Opmerking: U kan een CA-8 afstandsbediening aansluiten op de hoofdeunit als u meer controle over de master/slave opstelling wilt hebben.

C. Sluit de CA-8 controller aan voor een betere controle:

De CA-8 bediening kan alleen worden gebruikt in de alleenstaande of master/slave modus. Sluit de bediening aan op de CA-8 ingang van de eerste unit (master). Nu kan u alle aangesloten units bedienen:

TOETS	ACTIES	
STANDBY	Om alle toestellen in Black-Out te zetten	
FUNCTION	1. Synchroon stroben. 2. Afwisselende strobo.	Stel het dimniveau in met een waarde van 000 tot 255.
MODE	Strobe (LED UIT)	Dimmer (LED AAN)



D. Bediend door een universele DMX controller:

- Sluit alle units op elkaar aan. Zie het hoofdstuk "elektrische installatie voor twee of meer units in DMX-modus" om te leren hoe dit te doen (vergeet niet om alle units goed te adresseren!)
- Sluit alle units op het lichtnet aan en zet de DMX-bediening aan. Omdat elke unit z'n eigen DMX-adres heeft kan u ze individueel bedienen. Denk eraan dat elke unit zoals in de DMX tabel hieronder te zien is, 1 of 2 DMX-kanalen gebruikt:

Ch1	Ch1	Ch2
ON/OFF	Strobe	Dimmer
128-255 ON	249-255 Sound Active ⚡⚡⚡	255 100%
0-127 OFF	8-248 ⚡⚡	0 0%
	0-7 Stop	

ONDERHOUD

- Overtuig U ervan dat het gebied onder de installatieplaats vrij is van ongewenste personen tijdens het onderhoud.
- Zet het toestel uit, trek de netstekker uit het stopcontact en wacht tot het toestel is afgekoeld.

Bij inspectie moeten de volgende punten worden gecontroleerd.

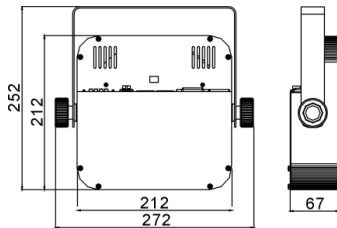
- Alle schroeven gebruikt om het te toestel te installeren en al zijn onderdelen moeten goed vastgedraaid zijn en mogen niet verroest zijn.
- Behuizingen, vastzetstukken, installeringplaatsen (plafond, spanten, schokbrekers) mogen absoluut niet verwrongen zijn.
- Wanneer een optische lens klaarblijkelijk beschadigd is door barsten of diepe krassen, dan moet deze vervangen worden.
- De stroomkabels moeten in perfecte staat zijn en behoren vervangen te worden, wanneer er zelfs maar een klein probleem ontdekt werd.

- Om het toestel tegen oververhitting te beschermen, behoren de ventilatoren (als die er zijn) en de ventilatieopeningen elke maand gereinigd te worden.
- De binnenkant van het toestel behoort elk jaar gereinigd te worden met een stofzuiger of een luchtspuit.
- Het schoonmaken van inwendige en uitwendige optische lenzen en/of spiegels moet regelmatig worden uitgevoerd om een zo goed mogelijke lichtuitstraling te verkrijgen. Hoe vaak ze schoon moeten worden gemaakt hangt af van de omgeving waar het toestel wordt gebruikt: een klamme, rokerige of bijzonder vuile omgeving kan een grotere opeenhoping van vuil veroorzaken op de optische uitrusting.
 - Reinig met een zachte doek en gebruik normale glasreinigende producten.
 - Droog de onderdelen altijd zorgvuldig af.
 - Reinig de uitwendige optische uitrusting minstens één keer per maand.
 - Reinig de inwendige optische uitrusting minstens om de 3 maanden.

Let op: We bevelen sterk aan dat het schoonmaken van de binnenkant wordt uitgevoerd door vakbekwaam personeel!!

TECHNISCHE KENMERKEN

Netvoeding:	100 - 240V 50/60Hz
Stroomverbruik:	25 Watt
Zekering:	250 V/ 6,3A trage zekering (20 mm)
Max. gelinkte projectoren via IEC in/uit:	50 stuks
Geluidscntrole:	Inwendige microfoon
DMX verbinding:	3 pins XLR mannelijk/ vrouwelijk
LEDs:	212 high power UV LEDs
Stralingshoek:	15°
Afmetingen:	zie onderstaande afbeelding
Gewicht:	1,6 kg



Elke inlichting kan veranderen zonder waarschuwing vooraf

U kan de laatste versie van deze handleiding downloaden via Onze website: www.beglec.com

BEDIENUNGSANLEITUNG

Vielen Dank, dass Sie sich für den Erwerb dieses JBSystems®-Produkt entschieden haben. Bitte lesen Sie diese Bedienungsanleitung sorgfältig vor der Inbetriebnahme durch, zur vollen Ausschöpfung der Möglichkeiten, die dieses Gerät bietet, sowie zu Ihrer eigenen Sicherheit.

EIGENSCHAFTEN

Das Gerät ist funktentstört und erfüllt die Anforderungen der europäischen und nationalen Bestimmungen. Entsprechende Dokumentation liegt beim Hersteller vor.

- Das Gerät ist zur Erzeugung von dekorativem Licht sowie zur Verwendung in Lightshows bestimmt.
- Super kompakter UV LED-Scheinwerfer mit 212 Hochleistungs- 5mm UV LEDs
- Der Sound-to-Light und der Strobe Modus erzeugen erstaunliche Effekte, welche man unmöglich mit traditionellen Schwarzlicht erzeugen kann!
- Abstrahlwinkel = 15° (Narrow Spot- enger Abstrahlwinkel)
- Zahlreiche Anwendungen möglich: Discotheken, DJs, Messestand, Privathäuser, ...
- Kann mit Standardklemmen an einem Aluminiumgerüst befestigt werden
- Kann als Bodenscheinwerfer unter gleich welchem Projektionswinkel eingesetzt werden
- Sehr kompaktes Gehäuse, ideal für Verleihunternehmen!
- Verschiedene Betriebsmodi:
 - Standalone: Kontinuierlicher oder Rythmus synchronisierter output für erstaunliche Schwarzlichteffekte!
 - Master/Slave-Modus: mehrere Geräte können gemeinsam eingesetzt werden für wundervolle musikgesteuerte Schwarzlicht shows. (Wahlweise CA-8 Fernsteuerung erhältlich)
 - DMX-gesteuert: 2 Modi: 1 Kanäl (ein/aus) oder 2 Kanäle (aus, strobe, musikgesteuert, Dimmer)
- Verschiedene Vorgehensweisen zum Einstellen der DMX-Startadresse:
 - Schnelle ferngesteuerte DMX-Adressenzuweisung mit Hilfe eines Standard-DMX-Controllers
 - Im Master/Slave-Modus können Sie jedem Gerät eine Adresse zuweisen, indem Sie nur 1 Knopf drücken
- IEC-Netzeingänge von mehreren Geräten können hintereinander geschaltet werden.

VOR DER ERSTBENUTZUNG

- Vor der Erstbenutzung bitte das Gerät zuerst auf Transportschäden überprüfen. Sollte das Gerät einen Schaden aufweisen, Gerät bitte nicht benutzen, sondern setzen Sie sich unverzüglich mit Ihrem Händler in Verbindung.
- **Wichtiger Hinweis:** Das Gerät hat das Werk unbeschädigt und gut verpackt verlassen. Es ist wichtig, dass der Benutzer sich streng an die Sicherheitshinweise und Warnungen in der Bedienungsanleitung hält. Schäden durch unsachgemäße Handhabung sind von der Garantie ausgeschlossen. Der Händler übernimmt keine Verantwortung für Schäden, die durch Nichtbeachtung der Bedienungsanleitung hervorgerufen wurden.
- Die Bedienungsanleitung zum zukünftigen Nachschlagen bitte aufbewahren. Bei Verkauf oder sonstiger Weitergabe des Geräts bitte Bedienungsanleitung beifügen.

Packungsinhalt prüfen:

Bitte überprüfen Sie, dass die Packung folgende Einzelteile enthält:

- Bedienungsanleitung
- LED-UV212
- Hängender Haltewinkel
- 2 Drehknöpfe zur Befestigung des hängenden Haltewinkels

SICHERHEITSHINWEISE



CAUTION

RISK OF ELECTRIC SHOCK
DO NOT OPEN

ACHTUNG: Um sich nicht der Gefahr eines elektrischen Schlags auszusetzen, entfernen Sie keines der Gehäuseteile. Im Geräteinneren befinden sich keine vom Benutzer reparierbaren Teile. Überlassen Sie Reparaturen dem qualifizierten Kundendienst.



Das Blitzsymbol im Dreieck weist den Benutzer darauf hin, dass eine Berührungsgefahr mit nicht isolierten Teilen im Geräteinneren, die eine gefährliche Spannung führen, besteht. Die Spannung ist so hoch, dass hier die Gefahr eines elektrischen Schlages besteht.



Das Ausrufezeichen im Dreieck weist den Benutzer auf wichtige Bedienungs- und Wartungshinweise in den Dokumenten hin, die dem Gerät beiliegen.



Dieses Symbol bedeutet: Nur innerhalb von Räumen verwenden.



Dieses Symbol bedeutet: Achtung! Bedienungsanleitung lesen!



Dieses Symbol bedeutet: Klasse I Klassifizierung



Dieses Symbol gibt an: der minimale Abstand von beleuchteten Gegenständen. Der minimale Abstand zwischen Projektor und dem belichteten Gegenstand muss mehr als 0,5 Meter betragen.

Die Vorrichtung ist geeignet zur Installation auf gängigen entflammaren Oberflächen. Gängige entflammare Oberflächen umfassen Baumaterialien wie Holz oder holzhaltige Baustoffe mit einer Dicke von über 2mm.

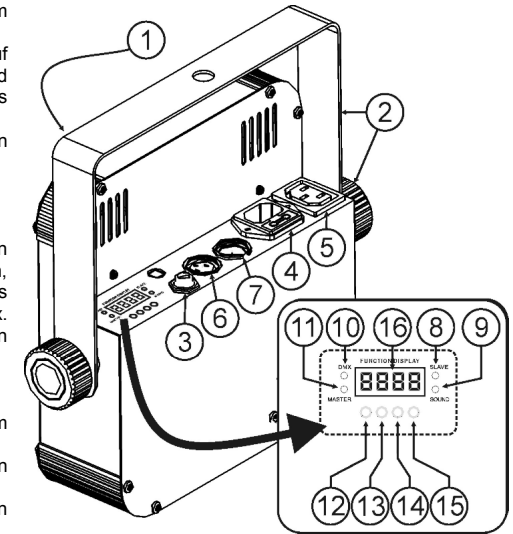
- Aus Umweltschutzgründen Verpackung bitte wiederverwenden oder richtig trennen.
- Ein neues Gerät kann Geruch oder Rauch entwickeln. Das ist völlig normal und legt sich nach einigen Minuten.
- Zur Vermeidung von Stromschlag oder Feuer, Gerät bitte nicht Regen oder Feuchtigkeit aussetzen.
- Zur Vermeidung von Kondensation im Inneren des Geräts bitte nach dem Transport in eine warme Umgebung einige Zeit zum Temperatúrausgleich ausgeschaltet stehen lassen. Kondensation kann zu Leistungsverlust des Geräts oder gar Beschädigung führen.
- Gerät nicht im Freien und in feuchten Räumen und Umgebungen verwenden.
- Keine Metallgegenstände oder Flüssigkeiten ins Innere des Geräts gelangen lassen, Kurzschluss oder Fehlfunktion können die Folge sein. Falls es doch einmal vorkommen sollte, bitte sofort Netzstecker ziehen und vom Stromkreis trennen.
- Gerät nur in gut belüfteter Position und entfernt von entflammaren Materialien oder Flüssigkeiten betreiben. Mindestabstand an allen Seiten soll mindestens 50 cm betragen.
- Ventilationsöffnungen nicht abdecken, da Überhitzungsgefahr!
- Nicht in staubiger Umgebung verwenden und regelmäßig reinigen.
- Für Kinder unerreichbar aufbewahren.
- Unerfahrene Personen sollen das Gerät nicht bedienen.
- Umgebungstemperatur darf 40°C nicht überschreiten.
- Sicherstellen, dass sich während des Auf- und Abbaus keine unbefugten Personen unterhalb des Geräts befinden.
- Stets Netzstecker ziehen, wenn Gerät für längeren Zeitraum nicht genutzt oder es gewartet wird.
- Elektrische Anschlüsse nur durch qualifiziertes Fachpersonal überprüfen lassen.
- Sicherstellen, dass Netzspannung mit Geräteaufkleber übereinstimmt.
- Gerät nicht mit beschädigtem Netzkabel betreiben. Ist die Zugangsleitung beschädigt, muss diese durch den Hersteller, seinen Vertrieb oder durch eine qualifizierte Person ersetzt werden.
- Netzkabel nicht mit anderen Kabeln in Berührung kommen lassen!
- Zur Einhaltung der Sicherheitsbestimmungen muss das Gerät geerdet sein.
- Gerät nicht an einen Dimmer anschließen.
- Ausschließlich vorschriftsmäßige Kabel zur Installation verwenden.
- Gerät nicht öffnen. Abgesehen vom Tausch des Leuchtmittels und der Sicherung sind keine zu wartenden Bauteile im Gerät enthalten.
- Sicherung niemals reparieren oder überbrücken, sondern immer durch gleichartige Sicherung ersetzen!
- Bei Fehlfunktion Gerät nicht benutzen und sich mit Händler in Verbindung setzen.

- Bei sichtbaren Beschädigungen müssen Gehäuse und Optik ersetzt werden.
- Bei Transport bitte Originalverpackung verwenden, um Schäden am Gerät zu vermeiden.
- Aus Sicherheitsgründen dürfen an dem Gerät keine unbefugten Veränderungen vorgenommen werden.

Wichtiger Hinweis: Nicht direkt in die Lichtquelle blicken! Gerät nicht verwenden, wenn sich Personen im Raum befinden, die unter Epilepsie leiden.

BESCHREIBUNG

1. Front mit Hartkunststoffabdeckung zum Schutz der 5mm LEDs.
2. Hängender Haltewinkel mit Drehknöpfen auf beiden Seiten zum Befestigen des Geräts und ein Montageloch zum Befestigen eines Montagehakens.
3. 1/2" Buchse zum Anschluss eines optionalen CA-8-Controllers
4. Netzausgang mit IEC Buchse und Sicherungsfassung zum Anschluss an die Steckdose.
5. Netzausgang mit IEC-Buchse: Sie können ein besonderes IEC-Starkstromkabel benutzen, um diesen Ausgang mit dem Netzeingang des folgenden LED-UV212s zu verbinden. (max. 40 Geräte können miteinander verbunden werden)
6. DMX Ausgangsstecker
7. DMX Eingangsstecker
8. Slave LED: leuchtet auf, wenn das Gerät im Slave-Modus ist
9. Sound LED: blinkt im Takt der Musik wenn das Gerät im Audio-Modus ist
10. DMX LED: leuchtet auf, wenn das Gerät ein DMX-Signal erhält
11. Master LED: leuchtet auf, wenn das Gerät als Master geschaltet ist
12. MENU-Knopf: zum Wählen der verschiedenen Menüpunkte
13. DOWN-Knopf: zum Zurückgehen im Menü und zum Mindern der auf dem Display angezeigten Werte.
14. UP-Knopf: zum Vorwärtsgen im Menü und zum Erhöhen der auf dem Display angezeigten Werte.
15. ENTER-Knopf: zum Bestätigen Ihrer Wahl.
16. DISPLAY zeigt die verschiedenen Menüs und die gewählten Funktionen an.



ELEKTRISCHE INSTALLATION

Wichtig: Die elektrische Installation sollte nur von qualifiziertem Personal durchgeführt werden, entsprechend den Vorschriften zur elektrischen und mechanischen Sicherheit in Ihrem Land.

Elektrische Installation von einem allein Stehenden Gerät:

- Stecken Sie einfach das Netzkabel ein. Die Gerät fängt sofort an im zuletzt gewählten allein Stehenden Modus zu arbeiten.
- Im Kapitel EINSTELLUNGSANLEITUNG wird erläutert, wie man zwischen dem statischen und dem Musikmodus (Sound mode) wechseln kann.

Anmerkung: Sie können einen Fernsteuerungscontroller CA-8 an das Gerät anschließen, wenn Sie zusätzliche Steuerungsfunktionen haben möchten.

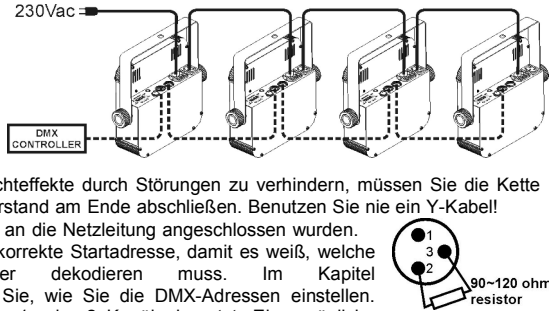
Elektrische Installation für zwei oder mehrere Geräte im Master/Slave-Modus:

- Schließen Sie 2 bis Max. 16 Geräte mit hochwertig abgeschirmten Mikrofonkabeln an. Das Gerät, das keine Kabelverbindung an seinem DMX-Eingang besitzt, arbeitet als „Master“, die anderen als Slave-Geräte.
- Vergewissern Sie sich, dass alle Geräte an die Netzleitung angeschlossen wurden.
- Siehe Kapitel EINSTELLUNGSANLEITUNG für weitere Informationen.
- Fertig!

Anmerkung: Sie können einen Fernsteuerungscontroller CA-8 an das Gerät anschließen, wenn Sie zusätzliche Steuerungsfunktionen haben möchten.

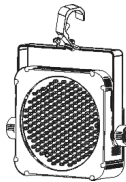
Elektrische Installation von zwei oder mehreren Geräten im DMX-Modus:

- Das DMX-Protokoll ist die am meisten benutzte Hochgeschwindigkeits-Signalübertragung, um intelligente Lichtanlagen zu steuern. Sie müssen Ihren DMX-Controller und alle angeschlossenen Geräte mit einem hochwertigen abgeschirmten Kabel „verketteten“.
- Um ein merkwürdiges Verhalten der Lichteffekte durch Störungen zu verhindern, müssen Sie die Kette mit einem 90Ω bis 120Ω Abschlusswiderstand am Ende abschließen. Benutzen Sie nie ein Y-Kabel!
- Vergewissern Sie sich, dass alle Geräte an die Netzleitung angeschlossen wurden.
- Jedes Gerät in der Kette benötigt eine korrekte Startadresse, damit es weiß, welche Befehle es vom DMX-Controller dekodieren muss. Im Kapitel EINSTELLUNGSANLEITUNG erfahren Sie, wie Sie die DMX-Adressen einstellen. Beachten Sie, dass jeder Scheinwerfer 1 oder 2 Kanäle benutzt. Eine mögliche Adresseneinstellung für die 2-Kanal-Modus kann sein: Gerät1 = 001 ~ Gerät2 = 003 ~ Gerät3 = 005 ~ Gerät4 = 007 ~ usw.



ÜBERKOPF-MONTAGE

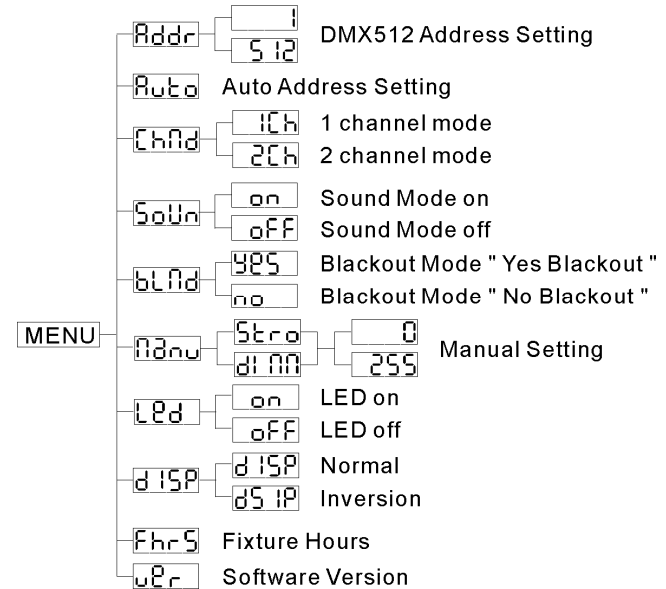
- Wichtig:** Montage ausschließlich durch qualifiziertes Fachpersonal durchführen lassen. Unvorschriftsmäßiger Einbau kann erhebliche Verletzungen und/oder Schäden verursachen. Überkopf-Montage verlangt entsprechende Erfahrung! Belastungsgrenzen müssen beachtet werden, geeignetes Installationsmaterial muss verwendet werden und das installierte Gerät muss in regelmäßigen Abständen überprüft werden.
- Sicherstellen, dass sich keine unbefugten Personen unterhalb des Geräts befinden, während es installiert oder gewartet wird.
- Gerät außerhalb der Reichweite von Personen und nicht in niedrigen Durchgängen oder in der Nähe von Sitzgelegenheiten installieren.
- Vor Montage sicherstellen, dass die gewählte Position wenigstens das 10-fache Gerätegewicht aufnehmen kann.
- Zur Aufhängung stets geeignetes Befestigungsmaterial verwenden, das das 12-fache Gerätegewicht aushalten kann. Eine zweite Sicherungsaufhängung muss angebracht werden, die ein Absacken des Geräts von mehr als 20 cm verhindert, sollte die Befestigung brechen.
- Gerät gut befestigen. Eine freischwingende Aufhängung ist gefährlich und sollte auf gar keinen Fall in Betracht gezogen werden!
- Ventilationsöffnungen nicht abdecken, da Überhitzungsgefahr!
- Betreiber muss sicherstellen, dass die sicherheitsrelevanten und technischen Installationen vor Erstbetrieb fachmännisch vorgenommen worden sind.
- Installationen sollten jährlich durch qualifiziertes Fachpersonal inspiziert werden, um jederzeit einen sicheren Betrieb zu gewährleisten.



EINSTELLUNGSANLEITUNG:

HAUPTMENÜ:

- Um eine der Menüoptionen auszuwählen, drücken Sie den **MENU-Knopf** so oft bis die gewünschte Option auf dem Display erscheint.
 - Auswahl der Funktion mit **EINGABE (ENTER)**, das Display blinkt.
 - Mit **ABWÄRTS** und **AUFWÄRTS** wählen Sie die gewünschte Menüoption.
 - Wenn die gewünschte Menüoption ausgewählt ist, mit **EINGABE (ENTER)** bestätigen.
- Hinweis: Halten Sie die **MENU**-Taste ungefähr 2 Sekunden lang gedrückt, um zum normalen Betriebsmodus zurückzukehren oder warten Sie einfach 8 Sekunden. Im Nachfolgenden ist die Menüstruktur dargestellt.



Addr DMX512 Einstellung Adresse

Zum Einstellen der Startadresse in einer DMX-Aufstellung und auch zum automatischen Programmieren des folgenden LED-UV212 Scheinwerfers in derselben DMX-Kette.

Eine DMX-Startadresse in 1 Gerät programmieren:

- MENU-Taste drücken bis **Addr** im Display angezeigt wird.
- EINGABE (ENTER) drücken.
- Mit **ABWÄRTS** und **AUFWÄRTS** die DMX512 Adresse verändern.
- Sobald die richtige Adresse im Display angezeigt wird, mit **EINGABE (ENTER)** speichern.
- Halten Sie die **MENU**-Taste ungefähr 2 Sekunden gedrückt um in den Betriebsmodus zurückzukehren.

Automatisches Programmieren der DMX-Startadresse von mehreren Geräten in einer DMX-Kette:

- Verbinden Sie die DMX-Ein-/Ausgänge aller Scheinwerfer miteinander und schalten Sie sie alle an
- Am ersten Gerät der Kette:
 - Stellen Sie die DMX-Startadresse wie hier vor beschrieben ein.
 - Anschließend drücken Sie die **MENU** Taste bis **Auto** auf dem Display erscheint.
 - Drücken Sie die **ENTER**-Taste, um die automatische Programmierung zu starten → Alle Geräte leuchten einmal auf, um anzuzeigen, dass die Adressen automatisch eingestellt werden, wobei mit der Adresse begonnen wird, die im ersten Gerät programmiert ist.
 - Halten Sie die **MENU**-Taste auf dem ersten Gerät ungefähr 2 Sekunden gedrückt, um in den Betriebsmodus zurückzukehren.

Beispiel: Der erste Scheinwerfer ist auf die DMX-Adresse 100 eingestellt. → Wenn Sie die automatische Adressierung durchführen, erhalten die anderen Scheinwerfer in der DMX-Kette die Adressen: 104, 106, 108, 110, ... (gegeben, dass die Einheiten in 2-Kanal-Modus sind)

Chn Channel Modus

Das Gerät hat 2 verschiedene Kanalmodi. Die verschiedenen Funktionen sind auf der DMX-Karte angegeben.

- MENU-Taste drücken bis **Chn** im Display angezeigt wird.
- EINGABE (ENTER) drücken.
- Benutzen Sie den **DOWN**- und **UP**-Knopf um einen der möglichen Kanal Moden zu wählen.

- Nach der Modusauswahl drücken Sie ENTER zum Einstellen
- Halten Sie die **MENU**-Taste ungefähr 2 Sekunden gedrückt um in den Betriebsmodus zurückzukehren.

SOUND Sound Mode

Zum Auswählen des gewünschten Sound-Modus zum Auslösen der Shows.

- MENU-Taste drücken bis **SOUND** im Display angezeigt wird.
- EINGABE (ENTER) drücken.
- Benutzen Sie die DOWN- und UP-Knöpfe um einen der möglichen Moden zu wählen:
 - **ON** (sound modus an) → Die Show wird über das interne Mikrofon gesteuert.
 - **OFF** (sound modus aus) → Die Show wird über die Geschwindigkeit geregelt.
- Sobald Sie den richtigen Modus ausgewählt haben, drücken Sie die ENTER-Taste zur Bestätigung.
- Halten Sie die **MENU**-Taste ungefähr 2 Sekunden gedrückt um in den Betriebsmodus zurückzukehren.

BLND Blackout Mode

Blackout: Wird kein DMX-Signal erkannt, geht das Gerät in Blackout.

Kein Blackout: Wird kein DMX-Signal erkannt, schaltet das Gerät automatisch auf Master um.

Setzen Sie das Gerät IMMER auf "No Blackout", wenn es im Standalone oder Master (master/slave) Modus benutzt wird!!!

- MENU-Taste drücken bis **BLND** im Display angezeigt wird.
- EINGABE (ENTER) drücken.
- Benutzen Sie den DOWN- und UP-Knopf um **YES** (Blackout) oder **NO** (kein Blackout) Modus zu wählen.
- Sobald Sie den Modus ausgewählt haben, drücken Sie die ENTER-Taste zur Bestätigung.
- Halten Sie die **MENU**-Taste ungefähr 2 Sekunden gedrückt um in den Betriebsmodus zurückzukehren.

STRN Blackout Mode

Wenn das Gerät im Standalone-Modus verwendet wird, können Sie manuell die Strobe und Dimmer-Funktion einstellen.

- MENU-Taste drücken bis **STRN** im Display angezeigt wird.
- EINGABE (ENTER) drücken.
- Benutzen Sie den DOWN- und UP-Knopf um einen der 2 möglichen 2 Optionen zu wählen:
 - Wähle **STRO** um die Strobe-Geschwindigkeit einzustellen und drücken Sie ENTER zur Bestätigung: benutzen Sie die DOWN und UP Knöpfe um einen Wert zwischen 000 (kein Strobe) und 255 (sehr schneller Strobe). Mit ENTER bestätigen.
 - Wähle **DM** um die Dimmer-Einstellungen einzustellen und drücken Sie ENTER zur Bestätigung: benutzen Sie die DOWN und UP Knöpfe um einen Wert zwischen 000 (kein Output) und 255 (maximaler Output). Mit ENTER bestätigen.
- beide Werte eingeseilt sind, drücken Sie ca. 2 Sekunden den MENU Knopf um in den Betriebsmodus zurück zu wechseln.

LED Led Display

Display an: Display ist ständig eingeschaltet.

Display aus: Display ist ausgeschaltet, wenn nicht in Benutzung.

- MENU-Taste drücken bis **LED** im Display angezeigt wird
- EINGABE (ENTER) drücken.
- Benutzen Sie den DOWN- und UP-Knopf um **ON** (Display ständig eingeschaltet) oder **OFF** (Display ausgeschaltet, wenn nicht in Benutzung) zu wählen.
- Sobald Sie den Modus ausgewählt haben, drücken Sie die ENTER-Taste zur Bestätigung.
- Halten Sie die **MENU**-Taste ungefähr 2 Sekunden gedrückt um in den Betriebsmodus zurückzukehren.

DISP Display Umkehrung

Display Normal: Display ist lesbar, wenn Gerät auf dem Boden installiert ist.

Display Umkehrung: Display ist lesbar, wenn Gerät auf dem Kopf stehend installiert ist.

- MENU-Taste drücken bis **DISP** im Display angezeigt wird
- Dann EINGABE (ENTER) drücken und Display beginnt zu blinken.
- Benutzen Sie den DOWN- und UP-Knopf um **ON** (Display Umkehrung) oder **OFF** (Normal Display) zu wählen.
- Sobald Sie den Modus ausgewählt haben, drücken Sie die ENTER-Taste zur Bestätigung.
- Halten Sie die **MENU**-Taste ungefähr 2 Sekunden gedrückt um in den Betriebsmodus zurückzukehren.

Fhrs Stundenzähler

Zur Anzeige der Arbeitsstunden des Geräts.

- MENU-Taste drücken bis **Fhrs** im Display angezeigt wird.
- Mit EINGABE (ENTER) die Arbeitsstunden im Display anzeigen.
- Halten Sie die **MENU**-Taste ungefähr 2 Sekunden gedrückt um in den Betriebsmodus zurückzukehren.

VER Software version:

Zum Anzeigen der Software-Version des Geräts.

- MENU-Taste drücken bis **VER** im Display angezeigt wird.
- Drücken Sie den ENTER-Knopf, um die Software-Version des Geräts anzuzeigen.
- Halten Sie die **MENU**-Taste ungefähr 2 Sekunden gedrückt um in den Betriebsmodus zurückzukehren.

BEDIENUNGSANLEITUNG

A. Allein stehendes Gerät:

- Schließen Sie Ihr Gerät einfach an die Netzleitung an und schalten Musik ein. Das Gerät fängt automatisch zum Rhythmus der Musik zu arbeiten an.
- Im Kapitel EINSTELLUNGSANLEITUNG wird erläutert, wie man zwischen dem statischen und dem Musikmodus (Sound mode) wechseln kann mode.

Anmerkung: Sie können einen Fernsteuerungscontroller CA-8 an das Gerät anschließen, wenn Sie zusätzliche Steuerungsfunktionen haben möchten.

B. Zwei oder mehr Geräte in der Master/Slaveeinstellung:

- Schließen Sie 2 bis max. 16 Geräte zusammen an. Lesen Sie den Abschnitt „elektrische Installation“, um zu erfahren, wie man die Geräte anschließt
- Schließen Sie Ihr Gerät einfach an die Netzleitung an und schalten Musik ein. Die Geräte fangen automatisch zum Rhythmus der Musik zu arbeiten an. Siehe Kapitel EINSTELLUNGSANLEITUNG für weitere Informationen.

Anmerkung: Sie können einen Fernsteuerungscontroller CA-8 an das Gerät anschließen, wenn Sie zusätzliche Steuerungsfunktionen haben möchten.

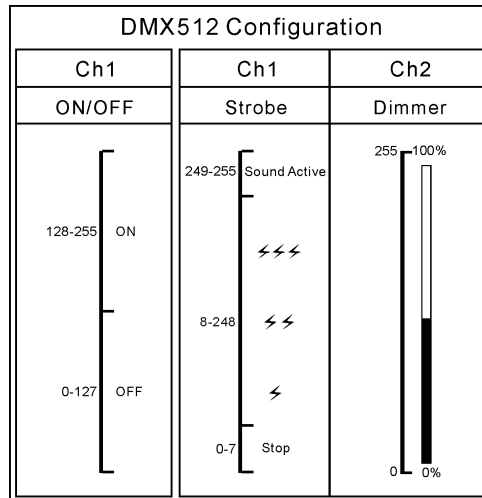
C. Anschließen des optionalen Fernbedienungscontroller CA-8 für mehr Steuerungsmöglichkeiten:

Der Fernbedienungs-Controller CA-8 kann nur im allein stehenden oder Master/Slavemodus benutzt werden. Schließen Sie den Controller an den Eingang des CA-8 des ersten Geräts an (Master). Jetzt können Sie alle angeschlossenen Geräte steuern:

TASTE	AKTIONEN	
STANDBY	To blackout all the fixtures	
FUNCTION	1. Synchroner Strobe 2. Multi-Kanal Strobe	Wählen Sie ein Dimmer-Wert zwischen 000 und 255
MODE	Strobe (LED AUS)	Dimmer (LED AN)

D. Steuerung durch eine universale DMX-Steuerung:

- Verbinden Sie alle Geräte miteinander. Wie dies funktioniert finden Sie im Kapitel " Elektronische Installation für zwei oder mehr Geräte un DMX-Modus" (vergessen Sie nicht die richtige Adressierung aller Geräte!)
- Verbinden Sie alle Geräte mit dem Stromnetz und schalten Sie die DMX-Steuerung an. Wenn alle Geräte ihre eigene DMX-Adresse haben, können Sie jedes Gerät einzeln steuern. Denken Sie daran das jedes Gerät 1 oder 2 DMX-Kanäle benutzt wie in der DMX-Liste weiter unten gezeigt wird:

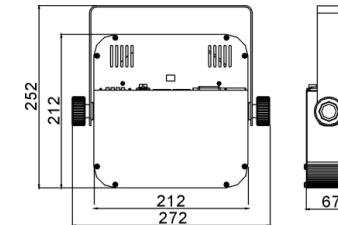
**WARTUNG UND INSTANDHALTUNG**

- Sicherstellen, dass sich keine unbefugten Personen unterhalb des Geräts befinden, während es gewartet wird.
 - Gerät ausschalten, Netzstecker ziehen und warten, bis es sich abgekühlt hat.
- Während der Wartung sind folgende Punkte ganz besonders zu beachten:**
- Sämtliche Schrauben zur Installation und Befestigung jeglicher Teile müssen fest angezogen und rostfrei sein.
 - Gehäuse, Befestigungsmaterialien und Aufhängungen (Decke, Balken, abgehängte Decken) dürfen keine Anzeichen von Verformung aufweisen.
 - Ist die Optik sichtbar beschädigt (Sprünge oder tiefe Kratzer), dann müssen die entsprechenden Teile ausgewechselt werden.
 - Netzkabel muss stets in einwandfreiem Zustand sein und selbst bei kleinsten Beschädigungen erneuert werden.
 - Zur Vermeidung von Überhitzung müssen die Ventilatoren (sofern vorhanden) und Lüftungsschlitze monatlich gereinigt werden.
 - Gerät innen mindestens einmal pro Jahr mit Staubsauger oder Airjet reinigen.
 - Reinigung der inneren und äußeren optischen Linsen und/oder Spiegel müssen in regelmäßigen Abständen zur Beibehaltung einer optimalen Lichtausbeute vorgenommen werden. Reinigungsintervalle hängen stark von der Umgebung ab: feuchte, verrauchte und besonders verschmutzte Umgebung führen zu größerer Verschmutzung auf den Linsen.
 - Mit weichem Tuch und gewöhnlichem Glasreiniger säubern.
 - Alle Teile stets gut abtrocknen.
 - Äußere Optik mindestens alle 30 Tage säubern.
 - Innere Optik mindestens alle 90 Tage säubern.

Achtung: Wir empfehlen dringend, Reinigung im Innern des Geräts nur von qualifiziertem Personal durchführen zu lassen!

TECHNISCHE EINZELHEITEN

Netzspannung:	100 - 240V 50/60Hz
Leistungsaufnahme:	25 Watt
Sicherung:	250V / 6,3A langsame Sicherung (20mm Glas)
IEC Eingang/Ausgang-Daisychain:	50 Stück
Klangregler:	Eingebautes Mikrofon
DMX Anschlüsse:	3-pin XLR Stecker/Buchse
LEDs:	212 Hochleistungs UV-LEDs
Abstrahlwinkel:	15°
Abmessungen:	siehe nachfolgende Abbildung
Gewicht:	1,6kg



Technische Änderungen können auch ohne Vorankündigung vorgenommen werden!
 Sie können sich die neueste Version dieses Benutzerhandbuches von unserer Website herunterladen: www.beglec.com

MANUAL DE FUNCIONAMIENTO

Gracias por comprar este producto JB Systems®. Para sacar el máximo rendimiento a sus posibilidades y por su propia seguridad, lea estas instrucciones de funcionamiento detenidamente antes de comenzar a utilizar esta unidad.

CARACTERÍSTICAS

Esta unidad es a prueba de interferencias de radio. Este producto cumple con los requisitos de las directrices nacionales y europeas actuales. Se ha establecido la conformidad y las instrucciones y documentos correspondientes han sido depositados por el fabricante.

- Este dispositivo se ha diseñado para producir efectos luminosos decorativos y se utiliza en sistemas de espectáculos de luces.
- Proyector de LED UV ultracompacto, con 212 UV LEDs de 5 mm de alta potencia
- En modo audio y estrobo los efectos creados son increíbles, imposibles de obtener con los black-lights tradicionales!
- Ángulo de haz = 15° (haz estrecho)
- Se puede utilizar en muchas aplicaciones: discotecas, DJs, puestos de exposición, casas, ...
- Puede fijarse en la celosía ALU mediante una abrazadera.
- Se puede utilizar como proyector de piso, bajo cualquier ángulo de proyección posible.
- ¡Carcasa súper compacta, perfecta para alquiler!
- Diferentes modalidades de trabajo:
 - Independiente: salida constante o al ritmo de la producción de increíbles efectos de luz negra.
 - Modalidad maestra/esclava: se pueden utilizar varias unidades conjuntamente para espectáculos, efectos de luz negra sincronizada sobre la música. (Posibilidad de controlador CA-8 opcional).
 - Control mediante DMX: 2 modos: 1 canal (on/off) o 4 canales (extinguído, estroboscopia variable, al ritmo de la música, regulador de intensidad luminosa).
- Varias formas de establecer la dirección de inicio DMX:
 - Direccionamiento DMX remoto rápido usando cualquier controlador DMX estándar
 - En el modo maestro/esclavo puede direccionar todas las unidades al pulsar solamente 1 botón
- Se pueden conectar en cadena tipo margarita las entradas IEC de varias unidades.

ANTES DE UTILIZAR EL APARATO

- Antes de comenzar a utilizar esta unidad, compruebe que no haya habido daños durante el transporte. Si observa algún daño, no utilice el dispositivo y consulte primero a su distribuidor.
- **Importante:** Este dispositivo ha salido de nuestras instalaciones en perfecto estado y bien embalado. Es absolutamente necesario que el usuario siga estrictamente estas instrucciones y advertencias de seguridad que aparecen en este manual de usuario. Cualquier daño producido por un manejo innecesario queda excluido de la garantía. El distribuidor no asumirá ninguna responsabilidad por cualquier defecto o problema que surja por no haber seguido el manual de usuario.
- Guarde este folleto en un lugar seguro para consultarlo en el futuro. Si vende este aparato más adelante, asegúrese de incluir este manual de usuario.

Compruebe el contenido:

Compruebe que la caja contiene los siguientes elementos:

- Instrucciones de funcionamiento
- LED-UV212
- Soporte colgante
- 2 perillas para apretar el soporte colgante

INSTRUCCIONES DE SEGURIDAD:



PRECAUCIÓN: Para reducir el riesgo de descarga eléctrica, no quite la cubierta superior. No existen piezas en el interior que pueda mantener o reparar el usuario. Asigne el mantenimiento y las reparaciones a personal cualificado.



El símbolo en forma de rayo con cabeza de flecha dentro de un triángulo equilátero se emplea para alertar sobre el uso o presencia de "voltaje peligroso" no aislado dentro de la carcasa del producto con la magnitud suficiente para constituir un riesgo de descarga eléctrica..



El signo de exclamación dentro del triángulo equilátero se emplea para alertar al usuario de la presencia de instrucciones de funcionamiento y mantenimiento importantes en el texto que acompaña a este aparato.



Este símbolo indica: Usar sólo en el interior.



Este símbolo indica: Leer las instrucciones.



Este símbolo indica: Aparato de seguridad clase I.



Este símbolo indica: La distancia mínima de objetos iluminados. La distancia mínima entre la emisión luminosa y la superficie iluminada tiene que ser más de 0,5 metros.

El dispositivo es adecuado para su montaje en superficies inflamables estándar. Las superficies inflamables estándar incluyen materiales de construcción como madera y materiales derivados de la madera de más de 2 mm de espesor.

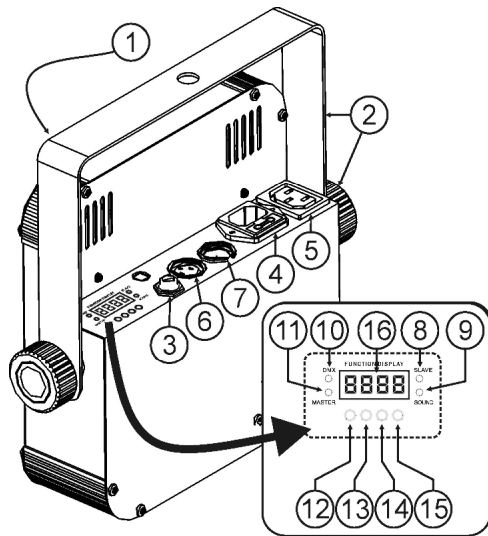
- Para proteger el medio ambiente, recicle el material de embalaje en la medida de lo posible.
- Un nuevo efecto luminoso provoca a veces humo y/u olor no deseados. Esto es normal y desaparece después de algunos minutos.
- Para evitar incendios o riesgos de descarga, no exponga la unidad a la lluvia o a la humedad.
- Para evitar que se forme condensación en el interior, deje que la unidad se adapte a la temperatura exterior cuando la lleve a una habitación cálida después del transporte. A veces la condensación impide que la unidad funcione a pleno rendimiento y puede incluso provocar daños.
- Esta unidad sólo se puede usar en el interior.
- No coloque objetos metálicos ni derrame líquidos dentro del reproductor de la unidad. Se pueden producir descargas eléctricas o fallos de funcionamiento. Si algún objeto extraño entra en la unidad, desconecte inmediatamente el suministro eléctrico.
- Coloque el aparato en un lugar bien ventilado, lejos de materiales y/o líquidos inflamables. El aparato debe colocarse a al menos 50 cm de las paredes.
- No cubra ninguna abertura de ventilación puesto que podría producirse un sobrecalentamiento de la unidad.
- Evite el uso en ambientes con polvo y limpie la unidad regularmente.
- Mantenga la unidad lejos de los niños.
- Las personas sin experiencia no deben utilizar este aparato.
- La máxima temperatura ambiente para un funcionamiento seguro es de 40°C. No utilice la unidad a temperaturas ambiente superiores.
- Asegúrese de que debajo del área del lugar de instalación no se encuentren personas durante el montaje, desmontaje o mantenimiento.
- Desenchufe siempre la unidad si no va a ser utilizada durante un largo periodo de tiempo o antes del mantenimiento.
- La instalación eléctrica sólo debe ser llevada a cabo por personal cualificado, de acuerdo con las regulaciones sobre seguridad eléctrica y mecánica de su país.
- Compruebe que el voltaje disponible no supera el que se indica en el panel trasero de la unidad.
- El cable de alimentación siempre debe estar en perfecto estado. Apague la unidad inmediatamente cuando observe daños o desperfectos en el cable de alimentación. Debe ser reemplazado por el fabricante, su agente de servicio o personas cualificadas para evitar cualquier peligro.
- ¡Nunca deje que el cable de alimentación entre en contacto con otros cables!
- Este aparato debe conectarse a tierra para cumplir con las normas de seguridad.

- No conecte la unidad a ningún regulador de voltaje.
- Utilice siempre un cable de seguridad apropiado y homologado cuando instale la unidad.
- Para evitar descargas eléctricas, no abra la cubierta. Además de la lámpara y el fusible de red no hay piezas en el interior de este aparato que pueda mantener el usuario.
- **Nunca repare un fusible ni derive el soporte del fusible. ¡Reemplace siempre el fusible dañado por un fusible del mismo tipo y especificación eléctrica!**
- En caso de que ocurran problemas de funcionamiento serios, deje de utilizar el aparato y póngase en contacto con su distribuidor inmediatamente.
- La carcasa y la lente deben reemplazarse si presentan daños visibles.
- Utilice el embalaje original cuando tenga que transportar el dispositivo.
- Por razones de seguridad se prohíbe realizar modificaciones no autorizadas en la unidad.

Importante: ¡Nunca mire directamente a la fuente de luz! No utilice el efecto en presencia de personas epilépticas.

DESCRIPCIÓN:

1. Parte frontal con cubierta de plástico duro que protege los LEDs de 5 mm.
2. Soporte colgante con perillas a ambos lados para sujetar la unidad y un agujero de montaje para instalar el gancho de montaje.
3. Jack de 1/4" que se utiliza para conectar el controlador CA-8 opcional
4. Entrada de red eléctrica con la toma IEC y el soporte de fusible integrado, conecte el cable de red suministrado aquí.
5. Salida de red eléctrica con toma IEC: puede utilizar un cable de alimentación IEC especial para conectar esta salida a la toma de red del siguiente LED-UV212 para una conexión más sencilla. (se pueden conectar un máximo de 40 unidades)
6. Conector de salida DMX
7. Conector de entrada DMX
8. LED esclavo: se enciende cuando la unidad está en modo esclavo.
9. LED de sonido: parpadea al ritmo de la música mientras la unidad está en modo de audio.
10. LED DE DMX: se enciende cuando la unidad recibe una señal DMX.
11. LED maestro: se enciende cuando la unidad está en modo maestro.
12. Botón MENU: se utiliza para seleccionar los diferentes elementos del menú.
13. BOTÓN DOWN: para bajar en el menú y reducir los valores que se muestran en la pantalla.
14. BOTÓN UP: para subir en el menú y aumentar los valores que se muestran en la pantalla.
15. Botón ENTER: se utiliza para confirmar su selección.
16. DISPLAY muestra los diferentes menús y las opciones seleccionadas.



INSTALACIÓN ELÉCTRICA

Importante: La instalación eléctrica sólo debe ser llevada a cabo por personal cualificado, de acuerdo con las regulaciones sobre seguridad eléctrica y mecánica de su país.

Instalación eléctrica para 1 unidad independiente:

- Conecte el cable de red. La unidad comienza a funcionar instantáneamente en el modo independiente que se seleccionó la última vez.
- Consulte el capítulo CONFIGURACIÓN para obtener información sobre cómo cambiar los modos estático y de sonido.

Observación: Si desea tener más control, puede conectar un controlador remoto CA-8 a la unidad.

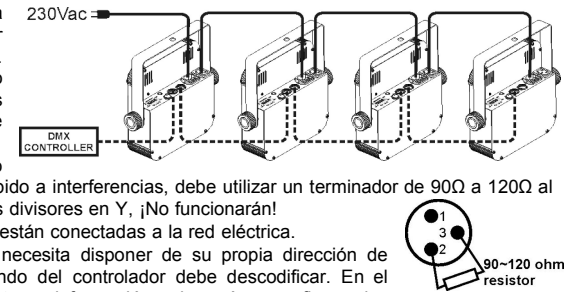
Instalación eléctrica de una o más unidades en modo maestro/eslavo:

- Conecte 2 a 16 (máximo) unidades mediante cables de micrófono equilibrados de buena calidad. La unidad que no tenga ningún cable conectado a su entrada DMX actuará como "maestra"; las otras serán las unidades esclavas.
- Asegúrese de que todas las unidades están conectadas a la red eléctrica.
- Consulte el capítulo CONFIGURACIÓN para obtener más información.
- ¡Ya está!

Observación: Puede conectar un controlador CA-8 remoto a la unidad maestra si desea disponer de más control sobre el funcionamiento maestro/esclavo.

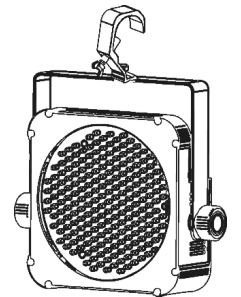
Instalación eléctrica de una o más unidades en modalidad DMX:

- El protocolo DMX es una señal de alta velocidad muy utilizada para controlar equipo de iluminación inteligente. Necesita conectar en cadena tipo margarita su controlador DMX y todas las unidades conectadas con un cable equilibrado de buena calidad.
- Para evitar un comportamiento anómalo de los efectos luminosos, debido a interferencias, debe utilizar un terminador de 90Ω a 120Ω al final de la cadena. Nunca utilice cables divisores en Y, ¡No funcionarán!
- Asegúrese de que todas las unidades están conectadas a la red eléctrica.
- Cada efecto luminoso de la cadena necesita disponer de su propia dirección de inicio de forma que sepa qué comando del controlador debe descodificar. En el capítulo CONFIGURACIÓN puede obtener información sobre cómo configurar las direcciones DMX. Recuerde que cada proyector utiliza 1 o 2 canales. A continuación se muestra un ejemplo de una posible configuración de direcciones para el modo de 2 canales: unidad 1 = 001 ~ unidad 2 = 003 ~ unidad 3 = 005 ~ unidad 4 = 007 ~ etc.



MONTAJE SUPERIOR

- **Importante:** La instalación sólo debe llevarse a cabo por personal técnico cualificado. Una instalación incorrecta puede provocar lesiones graves y/o daños en la propiedad. ¡El montaje superior requiere mucha experiencia! Deben respetarse los límites de carga de funcionamiento, deben utilizarse materiales de instalación homologados, el dispositivo instalado debe inspeccionarse regularmente por su seguridad.
- Asegúrese de que debajo del área del lugar de instalación no se encuentren personas durante el montaje, desmontaje o mantenimiento.
- El dispositivo debe instalarse lejos del alcance de las personas y de las áreas exteriores donde éstas puedan andar o sentarse.
- Antes del montaje asegúrese de que el área de la instalación puede soportar una carga mínima de 10 veces el peso de la unidad.
- Utilice siempre un cable de seguridad homologado que pueda soportar 12 veces el peso del dispositivo cuando instale la unidad. Este accesorio de seguridad secundario debe instalarse de forma que ninguna pieza de la instalación pueda caerse más de 20 cm si falla el accesorio principal.
- El dispositivo debe fijarse correctamente; ¡un montaje con giro libre es peligroso y no debe considerarse!
- No cubra ninguna abertura de ventilación puesto que podría producirse un sobrecalentamiento de la unidad.
- El operario debe asegurarse de que las instalaciones relacionadas con la seguridad son aprobadas por un experto antes de utilizarlas por primera vez. Las instalaciones deberán inspeccionarse anualmente por una persona cualificada para asegurar que la seguridad es óptima.

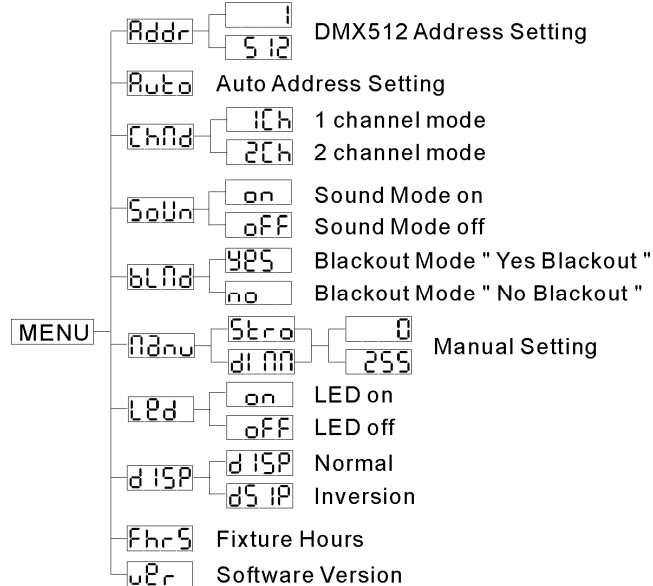


CONFIGURACIÓN:

MENÚ PRINCIPAL:

- Para seleccionar cualquiera de las opciones del menú, pulse el botón **MENU** hasta que en la pantalla aparezca la opción que desee.
 - Seleccione la función con el botón **ENTER**. La pantalla parpadeará.
 - Utilice los botones DOWN y UP para seleccionar la opción de menú deseada.
 - Una vez que haya seleccionado la opción deseada, pulse el botón **ENTER** para seleccionar.
- Observación: Pulse el botón **MENU** durante aproximadamente 2 segundos para volver al modo de ejecución o espere 8 segundos.

La estructura del menú se muestra a continuación.



Addr Ajuste de la dirección DMX512

Se utiliza para definir la dirección de inicio en una configuración DMX; también existe la posibilidad de programar automáticamente los siguientes proyectores LED-UV212 en la misma cadena DMX.

Programa una dirección de inicio DMX en la unidad 1:

- Pulse el botón MENU hasta que **Addr** aparezca en la pantalla.
- Pulse el botón ENTER para confirmar la opción elegida.
- Utilice los botones DOWN y UP para cambiar la dirección DMX512.
- Una vez que la dirección correcta aparezca en la pantalla, pulse el botón ENTER para confirmarla.
- Pulse el botón MENU durante aproximadamente 2 segundos para volver al modo de ejecución.

Programación automática de las direcciones de inicio DMX de varias unidades en una cadena DMX:

- Conecte las entradas/salidas DMX de todos los proyectores y enciéndalos.
- En la primera unidad de la cadena:
 - Defina la dirección de inicio DMX como se ha descrito anteriormente.
 - Luego, pulse el botón MENU hasta que **Auto** aparezca en la pantalla.
 - Pulse el botón ENTER para iniciar la programación automática → todas las unidades parpadearán una vez para indicar que las direcciones se configurarán automáticamente, comenzando desde la dirección programada en la primera unidad.

- Pulse el botón MENU de la primera unidad durante aproximadamente 2 segundos para volver al modo de ejecución.

Ejemplo: El primer proyector se ha configurado en la dirección DMX 100 → cuando realice la configuración automática de direcciones, los otros proyectores de la cadena DMX recibirán las direcciones siguientes: 104, 106, 108, 110, ...

(para el modo de 2 canales)

Chnd Modo de canal

La unidad tiene 2 modos de canal diferente. Consulte la tabla DMX para ver las diferencias.

- Pulse el botón MENU hasta que **Chnd** aparezca en la pantalla.
- Pulse el botón ENTER para confirmar la opción elegida.
- Use los botones DOWN y UP para seleccionar uno de los modos de canal disponibles.
- Una vez que haya seleccionado el modo, pulse el botón ENTER para confirmar su selección.
- Pulse el botón **MENU** durante aproximadamente 2 segundos para volver al modo de ejecución.

Soun Modo de sonido

Se utiliza para seleccionar el modo de sonido que debe activar los espectáculos.

- Pulse el botón MENU hasta que **Soun** aparezca en la pantalla.
- Pulse el botón ENTER para confirmar la opción elegida.
- Use los botones DOWN y UP para seleccionar uno de los modos disponibles:
 - **On** (modo de sonido activado) → los espectáculos son activados por el micrófono interno.
 - **off** (modo de sonido desactivado) → los espectáculos son activados por la velocidad seleccionada para éstos.
- Una vez que haya seleccionado el modo que desee, pulse el botón ENTER para confirmar su selección.
- Pulse el botón **MENU** durante aproximadamente 2 segundos para volver al modo de ejecución.

Blnd Modo de oscurecimiento

Modalidad Oscurecimiento: cuando no se detecta ninguna señal DMX, la unidad entra en oscurecimiento.

Modalidad Sin Oscurecimiento: cuando no se detecta ninguna señal DMX, la unidad pasa automáticamente a modo maestro.

Al utilizar la unidad en el modo independiente o maestro (maestro/esclavo), seleccione SIEMPRE "Sin oscurecimiento".

- Pulse el botón MENU hasta que **blnd** aparezca en la pantalla.
- Pulse el botón ENTER.
- Use los botones DOWN y UP para seleccionar SÍ (oscurecimiento) o NO (sin oscurecimiento).
- Una vez que haya seleccionado el modo, pulse el botón ENTER para confirmar su selección.
- Pulse el botón **MENU** durante aproximadamente 2 segundos para volver al modo de ejecución.

Manu Blackout Mode

Cuando la unidad se utiliza en modo independiente, usted puede configurar manualmente el estrobo y la función de atenuador de luz.

- Pulse el botón MENU hasta que la pantalla indique **Manu**.
- Pulse el botón ENTER.
- Utilice los botones DOWN y UP para seleccionar una de las opciones siguientes:
 - Seleccionar **Strob** para seleccionar la velocidad estroboscópica y pulse ENTER para confirmar: use DOWN y UP para establecer el valor entre 000 (sin estrobo) y 255 (estrobo muy rápido). Confirmar con el botón ENTER.
 - Seleccionar **Dim** para seleccionar el ajuste del atenuador y pulse ENTER para confirmar: Use DOWN y UP para establecer el valor entre 000 (sin salida) y 255 (salida máxima). Confirmar con el botón ENTER.
- Una vez configurados ambos parámetros, pulse el botón MENU durante aproximadamente 2 segundos, volverá al modo de ejecución.

LED Pantalla de LED

Pantalla encendida: la pantalla siempre está encendida.

Pantalla apagada: la pantalla está apagada cuando no se utiliza.

- Pulse el botón MENU hasta que la pantalla indique **LED**.
- Pulse el botón ENTER.
- Utilice los botones DOWN y UP para seleccionar **ON** (pantalla siempre encendida) u **OFF** (pantalla apagada cuando no se utiliza).
- Una vez que haya seleccionado el modo, pulse el botón ENTER para confirmar su selección.
- Pulse el botón **MENU** durante aproximadamente 2 segundos para volver al modo de ejecución.

DISP Inversión de pantalla

Pantalla normal: la pantalla se puede leer cuando la unidad está en el suelo.

Inversión de pantalla: la pantalla se puede leer cuando la unidad está montada al revés.

- Pulse el botón MENU hasta que la pantalla indique **DISP**.
- Pulse el botón ENTER, la pantalla comienza a parpadear.
- Utilice los botones DOWN y UP para seleccionar **ON** (inversión de pantalla) u **OFF** (pantalla normal).
- Una vez que haya seleccionado el modo, pulse el botón ENTER para confirmar su selección.
- Pulse el botón **MENU** durante aproximadamente 2 segundos para volver al modo de ejecución.

Hrs Horas del aparato

Se utiliza para mostrar el número de horas de funcionamiento de la unidad.

- Pulse el botón MENU hasta que **Hrs** aparezca en la pantalla.
- Pulse el botón ENTER para mostrar el número de horas de funcionamiento en la pantalla.
- Pulse el botón **MENU** durante aproximadamente 2 segundos para volver al modo de ejecución.

Ver Versión de software:

Se utiliza para mostrar la versión de software de la unidad.

- Pulse el botón MENU hasta que **Ver** aparezca en la pantalla.
- Pulse el botón ENTER para mostrar la versión de software de la unidad.
- Pulse el botón **MENU** durante aproximadamente 2 segundos para volver al modo de ejecución.

INSTRUCCIONES DE FUNCIONAMIENTO

A. 1 unidad independiente:

- Conecte el proyector a la red eléctrica y ponga algo de música. La unidad comenzará a funcionar automáticamente al ritmo de la música.
- Consulte el capítulo CONFIGURACIÓN para obtener información sobre cómo cambiar entre los modos estático y sonido.

Observación: Puede conectar un controlador CA-8 remoto a la unidad si desea disponer de más control.

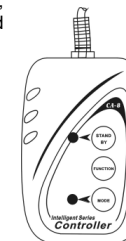
B. Dos o más unidades en configuración maestra/esclava:

- Conecte de 2 a un máximo de 16 unidades juntas. Consulte el capítulo "Instalación eléctrica" para obtener información sobre cómo realizar este procedimiento.
- Conecte todas las unidades a la red eléctrica y ponga algo de música. Las unidades comenzarán a funcionar automáticamente al ritmo de la música. Consulte el capítulo CONFIGURACIÓN para obtener más información.

Observación: Si desea tener más control sobre el funcionamiento maestro/esclavo, puede conectar un controlador remoto CA-8 al aparato.

C. Conexión del controlador CA-8 para obtener más control:

El controlador CA-8 sólo puede utilizarse en modalidad independiente, maestra/esclava. Conecte el controlador a la entrada CA-8 de la primera unidad (maestra). Ahora puede controlar todas las unidades conectadas:



BOTÓN	ACCIONES	
STANDBY	Para oscurecer todos los aparatos	
FUNCIÓN	1.Estrobo sincronizada 2.Diferente estroboscópica	Ajuste el nivel dimerizador desde 000 hasta 255
MODALIDAD AD	Estroboscópica (LED apagado)	nivel dimerizador (LED encendido)

D. Control mediante controlador DMX universal:

- Conecte todas las unidades juntas. Consulte el capítulo "Instalación eléctrica para dos o más unidades en modalidad DMX" para saber cómo hacerlo (no olvide direccionar todas las unidades correctamente).
- Conecte todas las unidades a la red eléctrica y encienda el controlador DMX. Puesto que cada unidad consta de su propia dirección DMX, puede controlarlas individualmente. Recuerde que cada unidad utiliza 1 o 2 canales DMX tal como se muestra en la tabla DMX.

Ch1	Ch1	Ch2
ON/OFF	Strobe	Dimmer
128-255 ON	249-255 Sound Active 8-248	255 100%
0-127 OFF	0-7 Stop	0 0%

MANTENIMIENTO

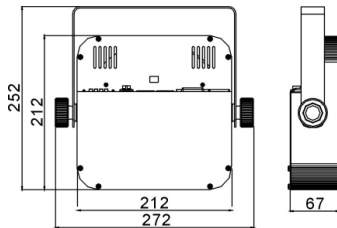
- Asegúrese de que debajo de la zona del lugar de instalación no haya personas durante el mantenimiento.
- Apague la unidad, desenchufe el cable de red y espere hasta que la unidad se haya enfriado.
- **Durante la inspección deberá comprobar los siguientes puntos:**
- Todos los tornillos utilizados para instalar el dispositivo y cualquiera de sus piezas deberán apretarse firmemente y no corroerse.
- Las carcasas, las fijaciones y los puntos de instalación (techo, suspensiones) no deberán presentar ninguna deformidad.
- Cuando una lente óptica esté visiblemente dañada por grietas o rasguños profundos, deberá ser reemplazada.
- Los cables de red deberán estar en perfecto estado y deberán reemplazarse inmediatamente incluso si el problema detectado es pequeño.

- Para proteger al aparato del sobrecalentamiento, las aletas de refrigeración (si las hubiera) y las aberturas de ventilación deberán limpiarse mensualmente.
- El interior del dispositivo deberá limpiarse anualmente mediante una aspiradora o chorro de aire.
- La limpieza de las lentes internas y externas y/o espejos deberá llevarse a cabo periódicamente para optimizar la emisión luminosa. La frecuencia de limpieza depende del entorno en el que funcione el aparato: los ambientes húmedos, con humo o especialmente sucios pueden provocar una mayor acumulación de suciedad en los elementos ópticos del aparato.
 - Limpie con un paño suave utilizando productos de limpieza de cristales normales.
 - Seque siempre las piezas con cuidado.
 - Limpie los elementos ópticos externos al menos una vez cada 30 días.
 - Limpie los elementos ópticos internos al menos una vez cada 90 días.

Atención: ¡Le recomendamos encarecidamente que la limpieza interna sea llevada a cabo por personal cualificado!

ESPECIFICACIONES

Entrada de red:	100 - 240V 50/60Hz
Consumo de energía:	25 W
Fusible:	250 V 6,3 A lento (cristal de 20 mm)
Conexión en cadena tipo margarita de entradas/salidas IEC:	50 unidades
Control de sonido:	Micrófono interno.
Conexiones DMX:	XL.R 3 clavijas
LEDs:	212 LEDs UV de alta potencia
Ángulo de haz:	15°
Tamaño:	consulte la tabla de abajo
Peso:	1,6 kg



Toda la información está sujeta a cambios sin previo aviso
 Puede descargar la última versión de este manual de usuario en nuestra página Web:
www.beglec.com